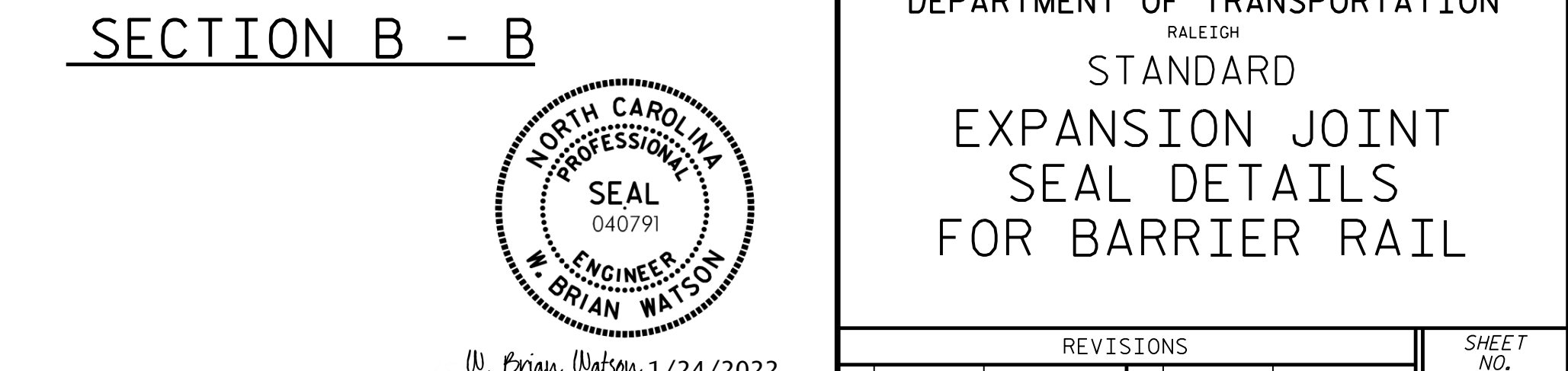
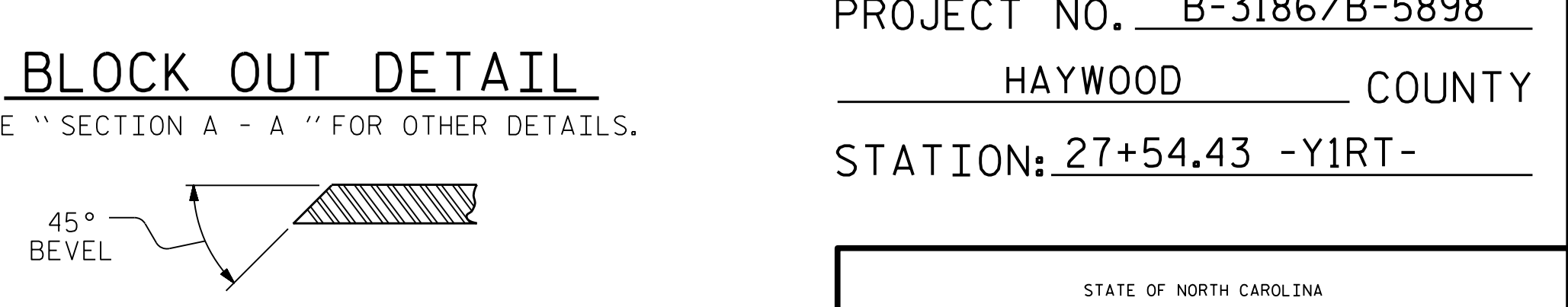
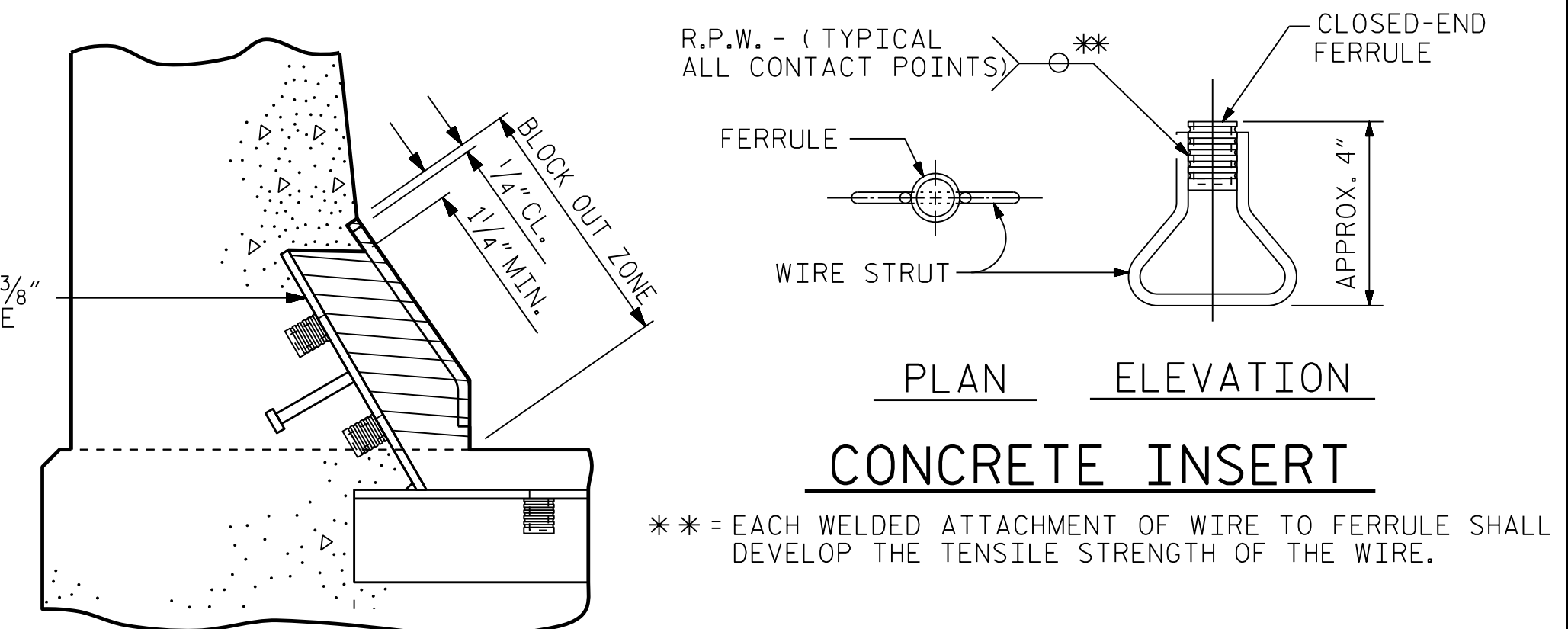
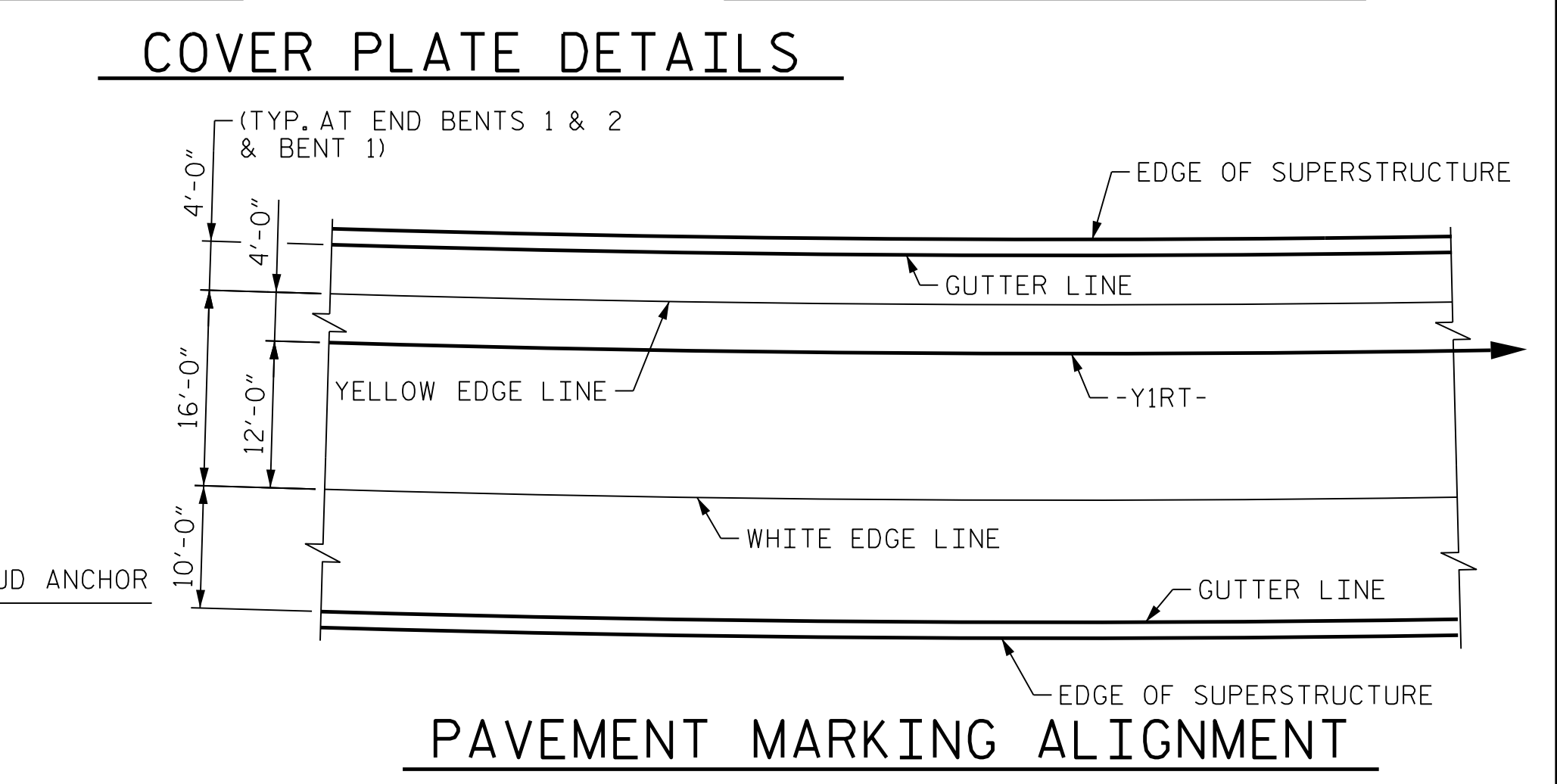


TURNBACK DIMENSIONS		
DIMENSION	END BENT 1	END BENT 2
DIM "A"	2 1/16"	2 13/16"
DIM "B"	4 5/16"	5 11/16"
DIM "C"	2 7/16"	2 13/16"
DIM "D"	4 13/16"	5 9/16"



PROJECT NO. B-3186/B-5898
HAYWOOD COUNTY
 STATION: 27+54.43 -Y1RT-

STATE OF NORTH CAROLINA
 DEPARTMENT OF TRANSPORTATION
 RALEIGH
 STANDARD
 EXPANSION JOINT
 SEAL DETAILS
 FOR BARRIER RAIL

REVISIONS						SHEET NO.	
NO.	BY:	DATE:	NO.	BY:	DATE:	502-33	
1	--	--	3	--	--	TOTAL SHEETS 48	
2	--	--	4	--	--		

PLOT DRIVER: NCDOT STRUCTURES DEFAULT PLOTTER.plt PENTABLE: NCDOT STRUCTURES DEFAULT PEN.tbl
 USER: PPRETOSO DATE: 1/24/2022 TIME: 1:32:43 PM
 FILE: ... \402.160.B3186-B5898.SML.US.033.430168.dgn

DES BY: S. NIFONG DATE: 04/21 DWG BY: M. SELLS DATE: 04/21
 DES CHK: N. DAVIS DATE: 04/21 CHK BY: S. NIFONG DATE: 06/21

HDR HDR Engineering, Inc. of the Carolinas
 555 Fayetteville St., Suite 900 Raleigh, N.C. 27601
 N.C.B.E.L.S. License Number: F-0116

W. Brian Watson 1/24/2022
 DOCUMENT NOT CONSIDERED FINAL
 UNLESS ALL SIGNATURES COMPLETED

STD. NO. EJS2