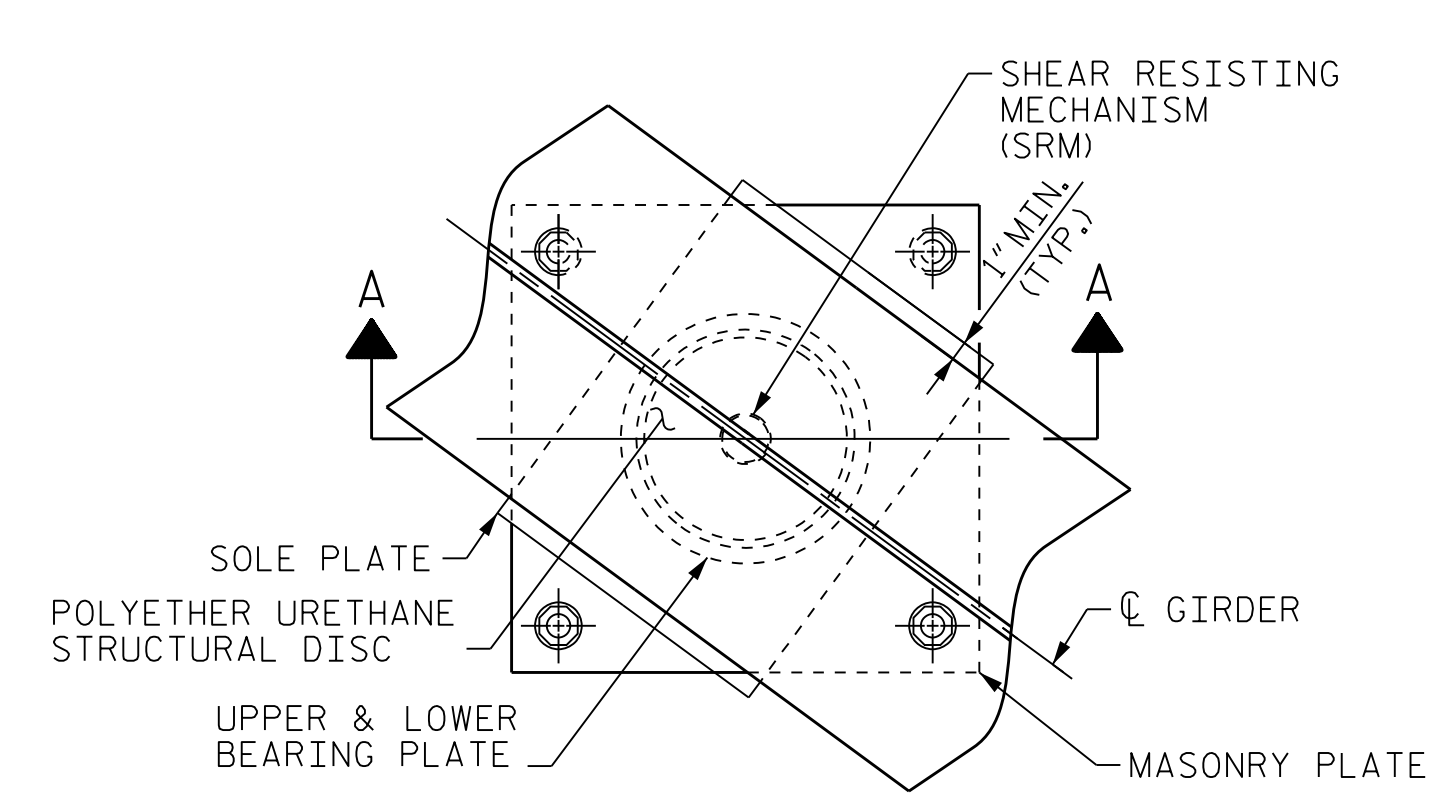
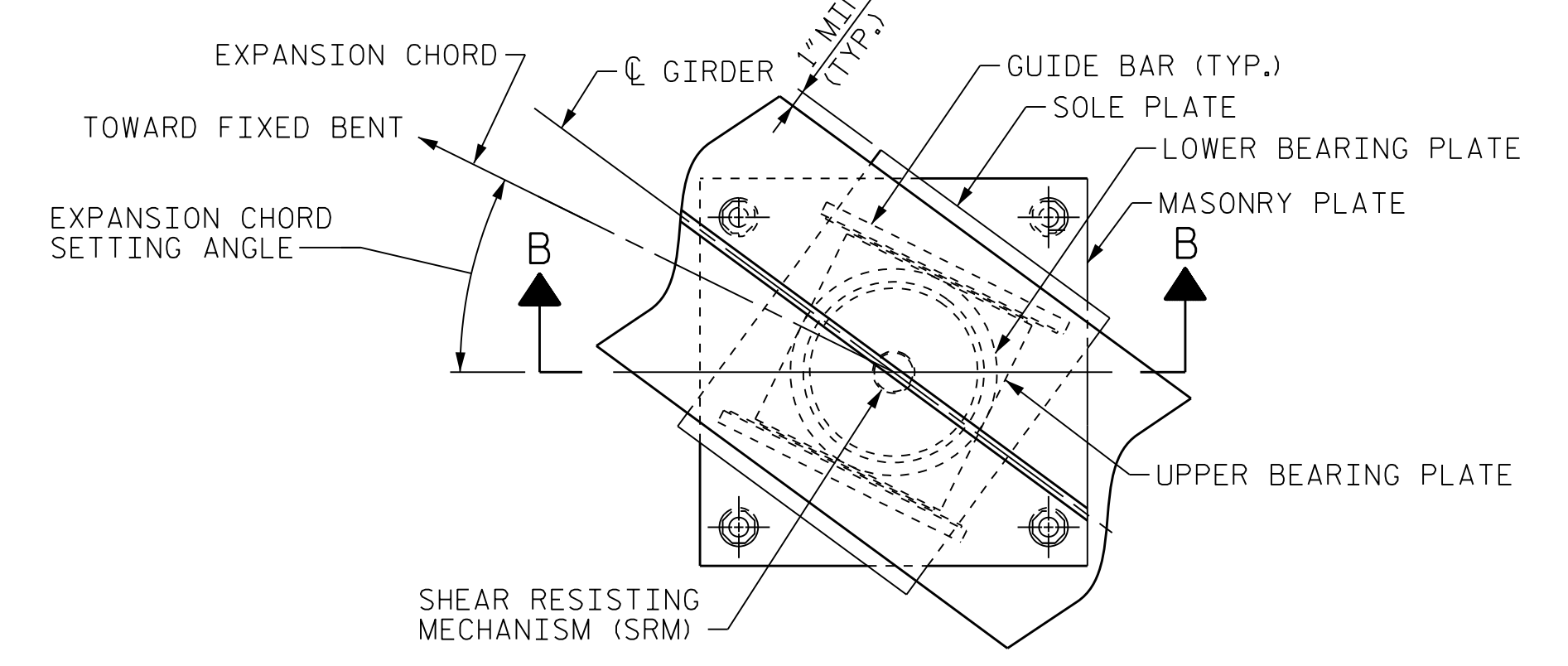


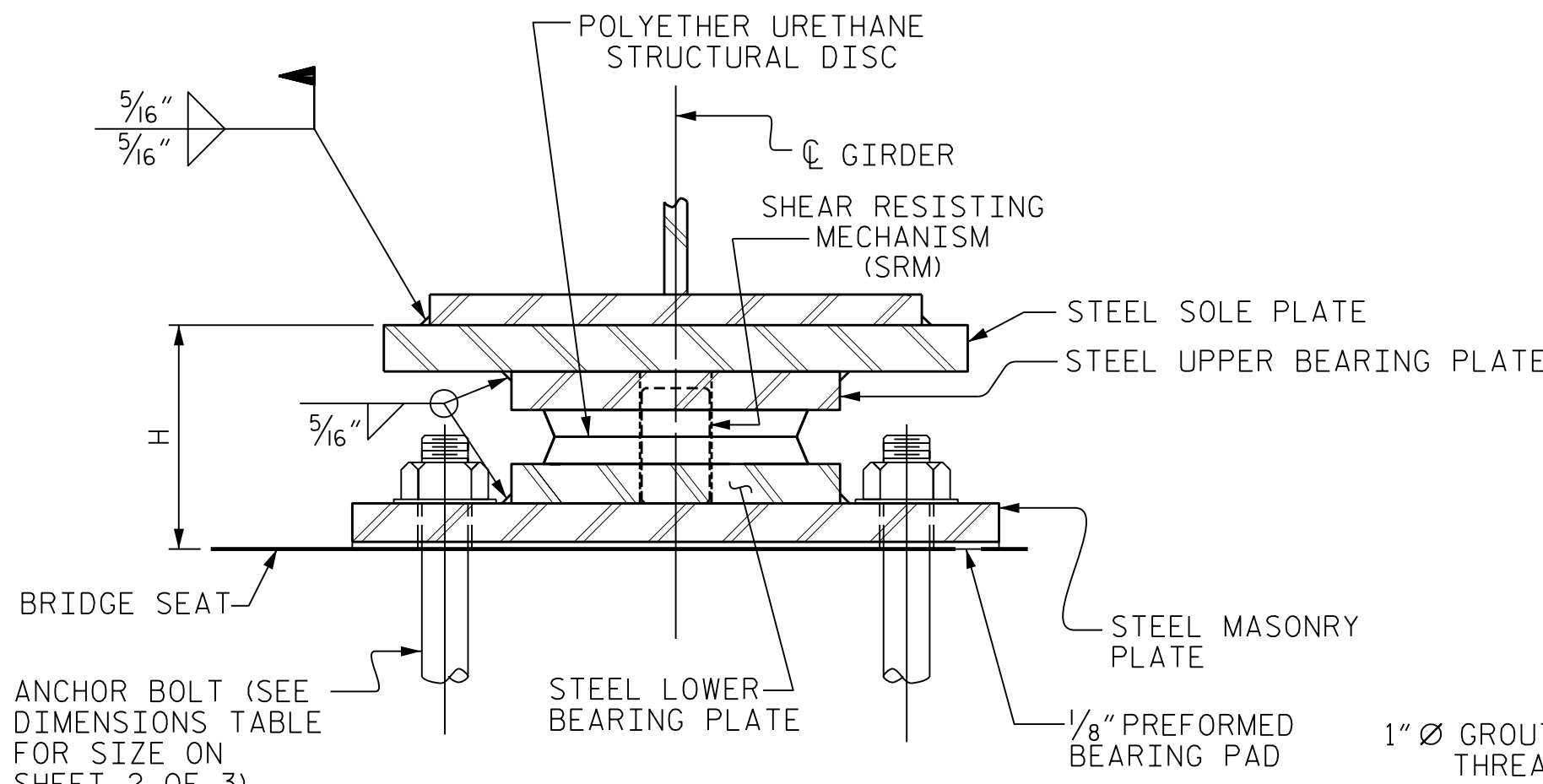
PLOT DRIVER: NCDOT STRUCTURES DEFAULT PLOTTER.PH  
 USER: PPETERSO DATE: 1/24/2022 TIME: 1:29:41 PM  
 FILE: ... \402\_095\_B3186-B5898\_SML.BC.020\_430168.dgn



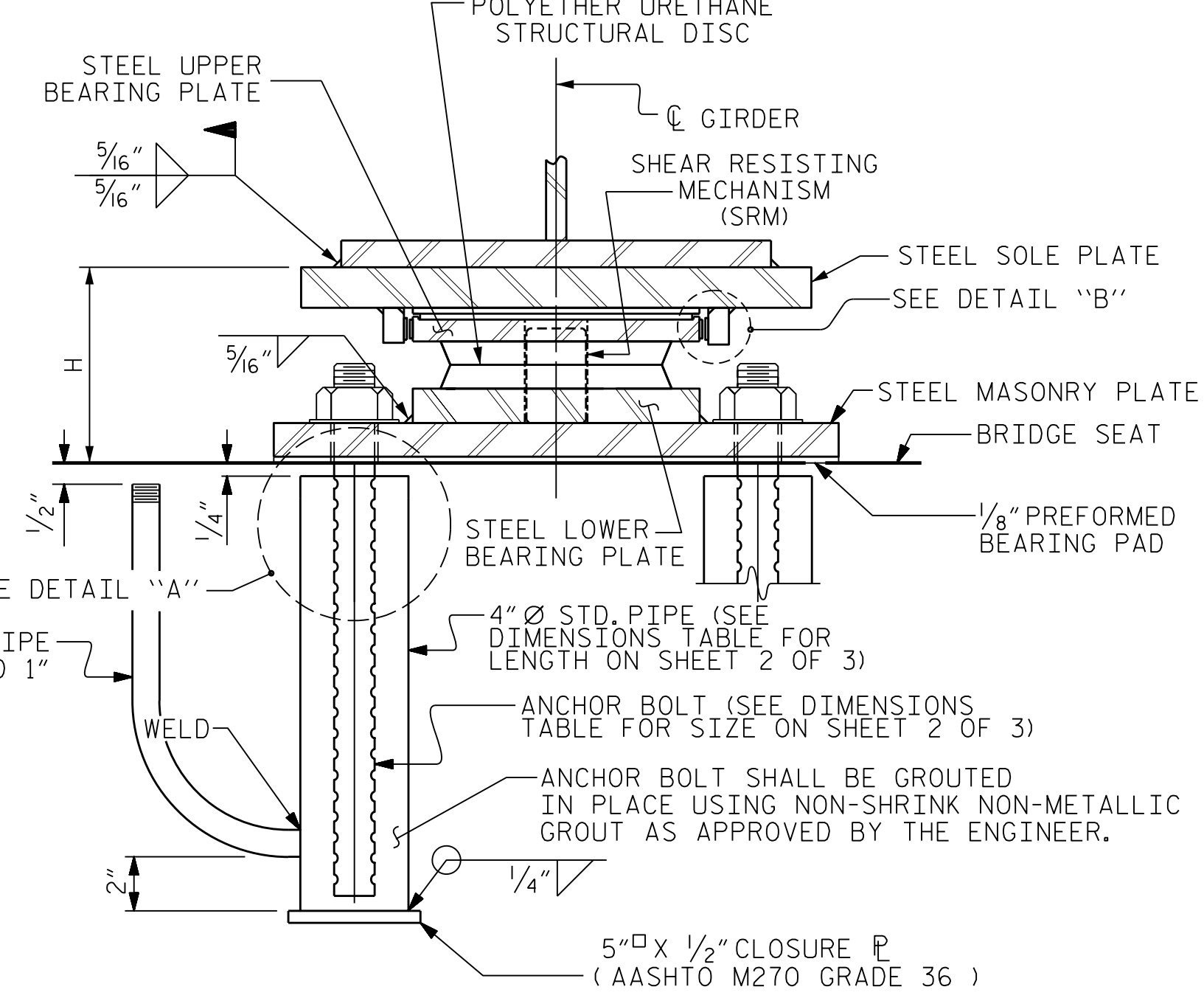
PLAN



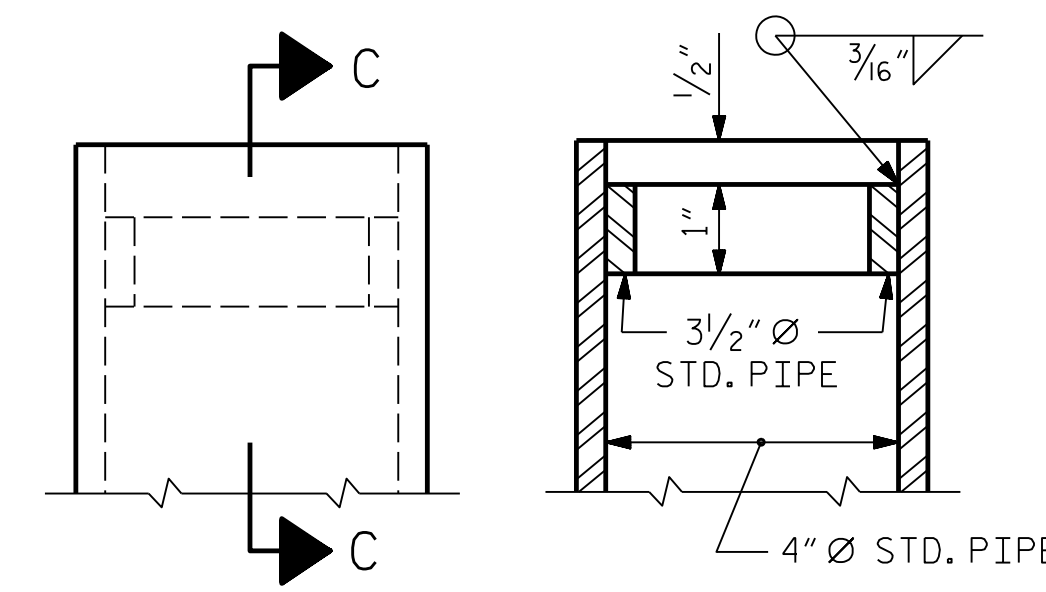
PLAN



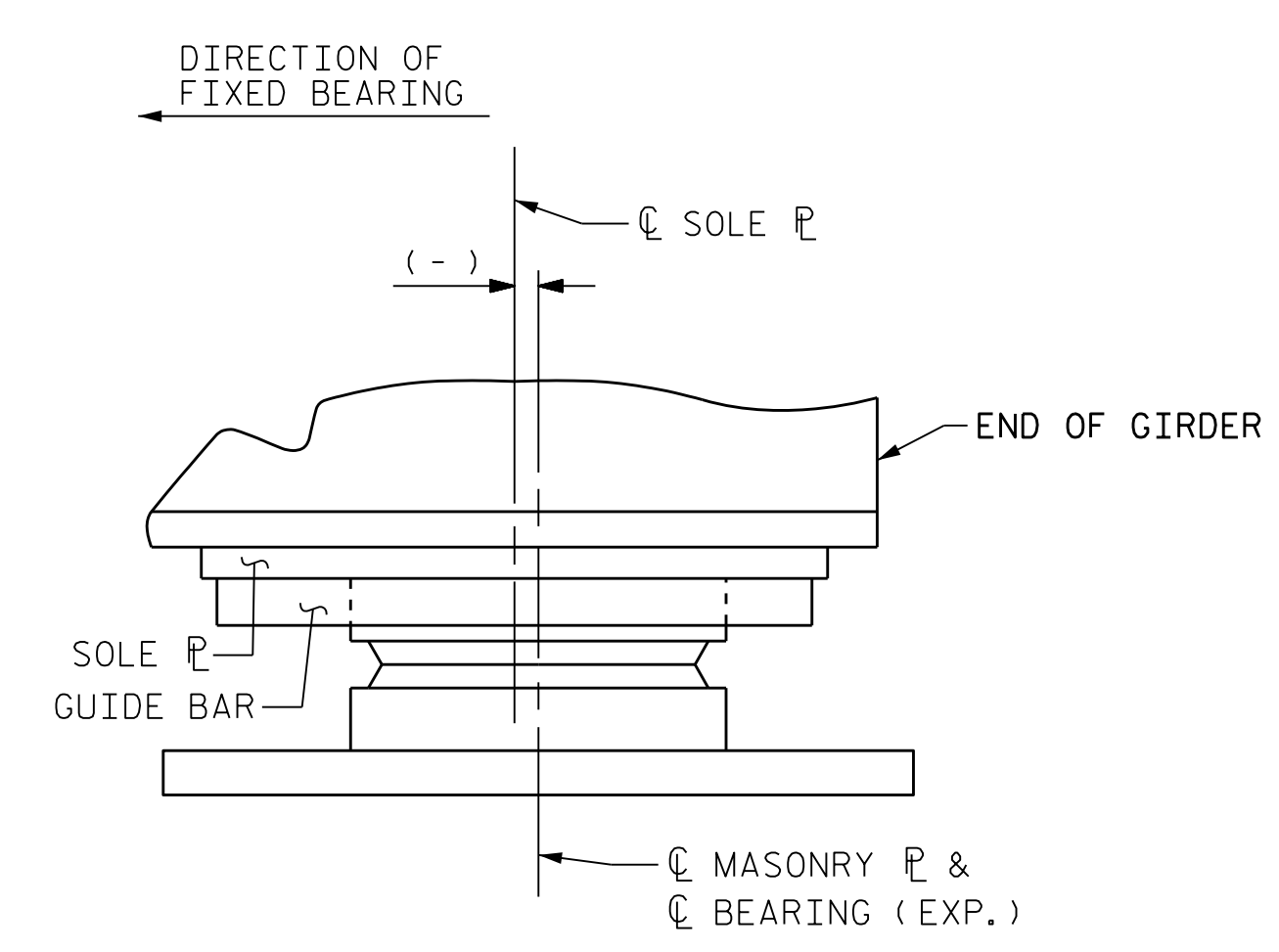
SECTION A-A  
FIXED



SECTION B-B  
EXPANSION



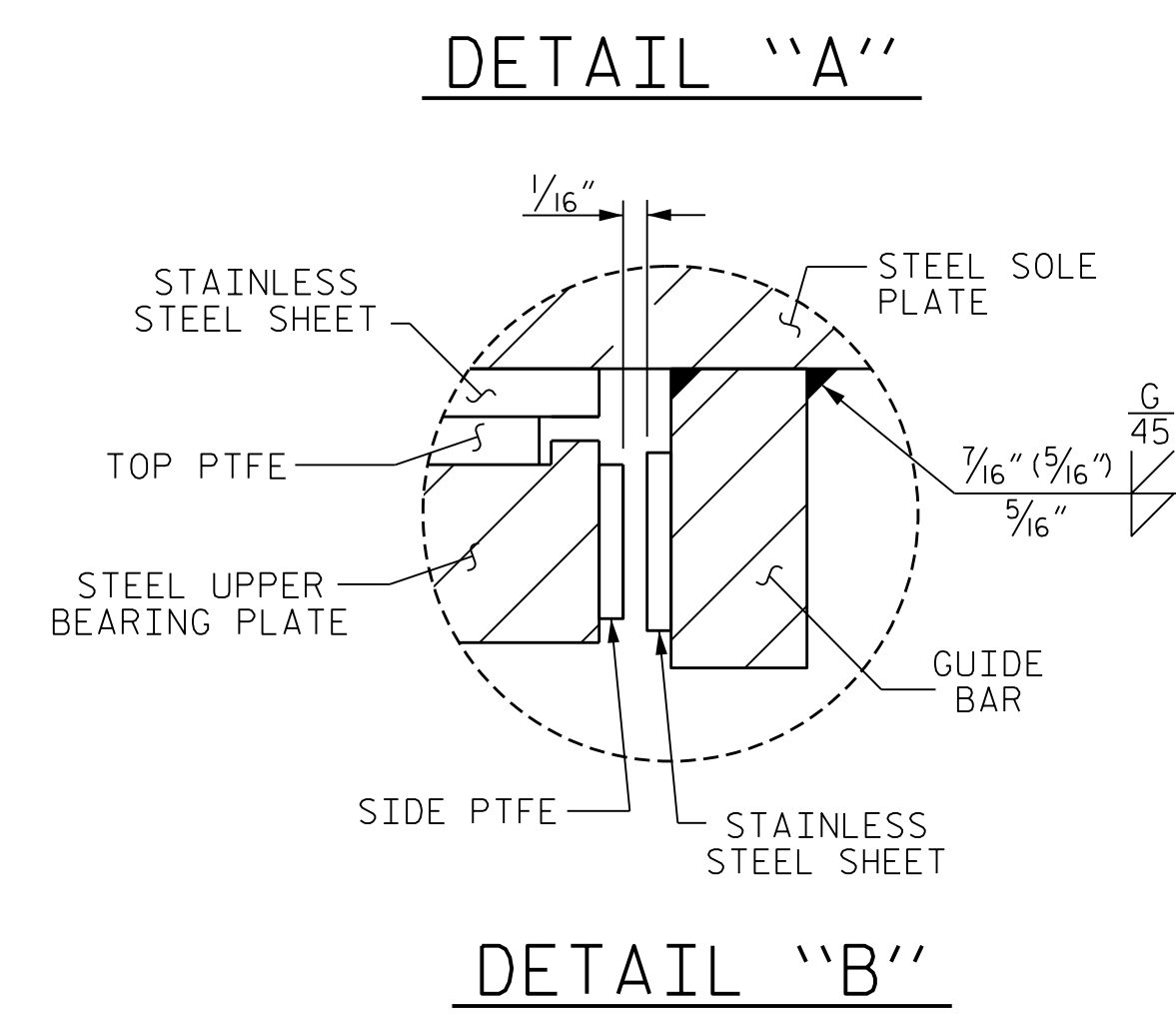
SECTION C-C



TEMPERATURE SETTING DETAIL

PLATE SETTING DATA (EXPANSION DISC BEARINGS)				
LOCATION	TEMPERATURE AT TIME OF SETTING			*
	45° F	60° F	90° F	
END BENT 1	-3/16"	0"	-5/16"	0"
END BENT 2	-1/4"	0"	-1/2"	-1/16"

\* CORRECTION FOR END ROTATION DUE TO WEIGHT OF SLAB AND COMPOSITE DEAD LOAD.



DETAIL "A"

DETAIL "B"

NOTES

- FOR DISC BEARINGS, SEE SPECIAL PROVISIONS.
- ALL BEARING PLATES SHALL BE AASHTO M270 GRADE 50W OR GRADE 50.
- AT ALL POINTS OF SUPPORT, NUTS FOR ANCHOR BOLTS SHALL BE FINGER-TIGHTENED PLUS AN ADDITIONAL 1/4 TURN. THE THREAD OF THE NUT AND BOLT SHALL THEN BE BURRED WITH A SHARP POINTED TOOL.
- WHEN WELDING THE SOLE PLATE TO THE GIRDER, USE TEMPERATURE INDICATING WAX PENS, OR OTHER SUITABLE MEANS, TO ENSURE THAT THE TEMPERATURE OF THE BEARING DOES NOT EXCEED 250°F. TEMPERATURES ABOVE THIS MAY DAMAGE THE TFE OR URETHANE DISC.
- AFTER BEARING ASSEMBLY IS IN PLACE AND ANCHOR BOLTS HAVE BEEN FINALLY POSITIONED, THEY SHALL BE GROUTED IN PLACE AS SHOWN.
- THE CLOSURE PLATE, GROUT PIPE, AND STANDARD PIPE FOR THIS ASSEMBLY NEED NOT BE GALVANIZED.
- SOLE PLATES SHOULD BE WELDED TO GIRDER FLANGES AND ANCHOR BOLTS SHOULD BE GROUTED BEFORE FALSEWORK IS PLACED.
- ALL SURFACES OF BEARING PLATES SHALL BE SMOOTH AND STRAIGHT.
- FOR ATTACHMENT OF THE STAINLESS STEEL SHEETS TO THE STEEL SOLE PLATE AND GUIDE BARS, AS WELL AS THE TOP AND SIDE PTFE SHEETS TO THE STEEL UPPER BEARING PLATE, SEE SPECIAL PROVISIONS.
- FOR THERMAL SPRAYED COATINGS (METALLIZATION), SEE SPECIAL PROVISIONS.
- THE MINIMUM ROTATIONAL CAPACITY FOR ALL BEARINGS SHALL BE 0.02 RADIAN.
- SEE SHEET 2 OF 3 FOR SOLE PLATE DETAILS.
- SEE TABLE ON SHEET 2 OF 3 FOR BEARING AND MASONRY PLATE DESIGNATIONS, LOCATIONS, BEARING HEIGHTS, MASONRY PLATE DIMENSIONS, TOP OF SOLE PLATE SLOPE, LOADS AND MOVEMENTS.
- SEE SHEET 3 OF 3 FOR EXPANSION CHORD SETTING ANGLES.

PROJECT NO. B-3186/B-5898  
HAYWOOD COUNTY  
 STATION: 27+54.43 -Y1RT-

SHEET 1 OF 3

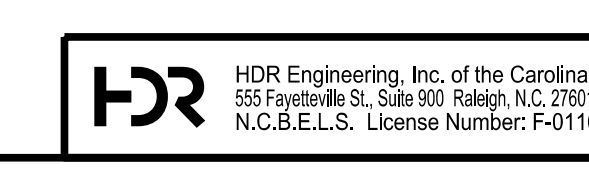
STATE OF NORTH CAROLINA  
 DEPARTMENT OF TRANSPORTATION  
 RALEIGH

SUPERSTRUCTURE  
 DISC BEARING  
 DETAILS



W. Brian Watson 1/24/2022

DES BY: S. NIFONG	DATE: 05/21	DWG BY: M. SELLS	DATE: 05/21
DES CHK: N. DAVIS	DATE: 05/21	CHK BY: S. NIFONG	DATE: 06/21



REVISIONS						SHEET NO. 502-20 TOTAL SHEETS 48
NO.	BY:	DATE:	NO.	BY:	DATE:	
1	--	--	3	--	--	
2	--	--	4	--	--	

DOCUMENT NOT CONSIDERED FINAL  
 UNLESS ALL SIGNATURES COMPLETED