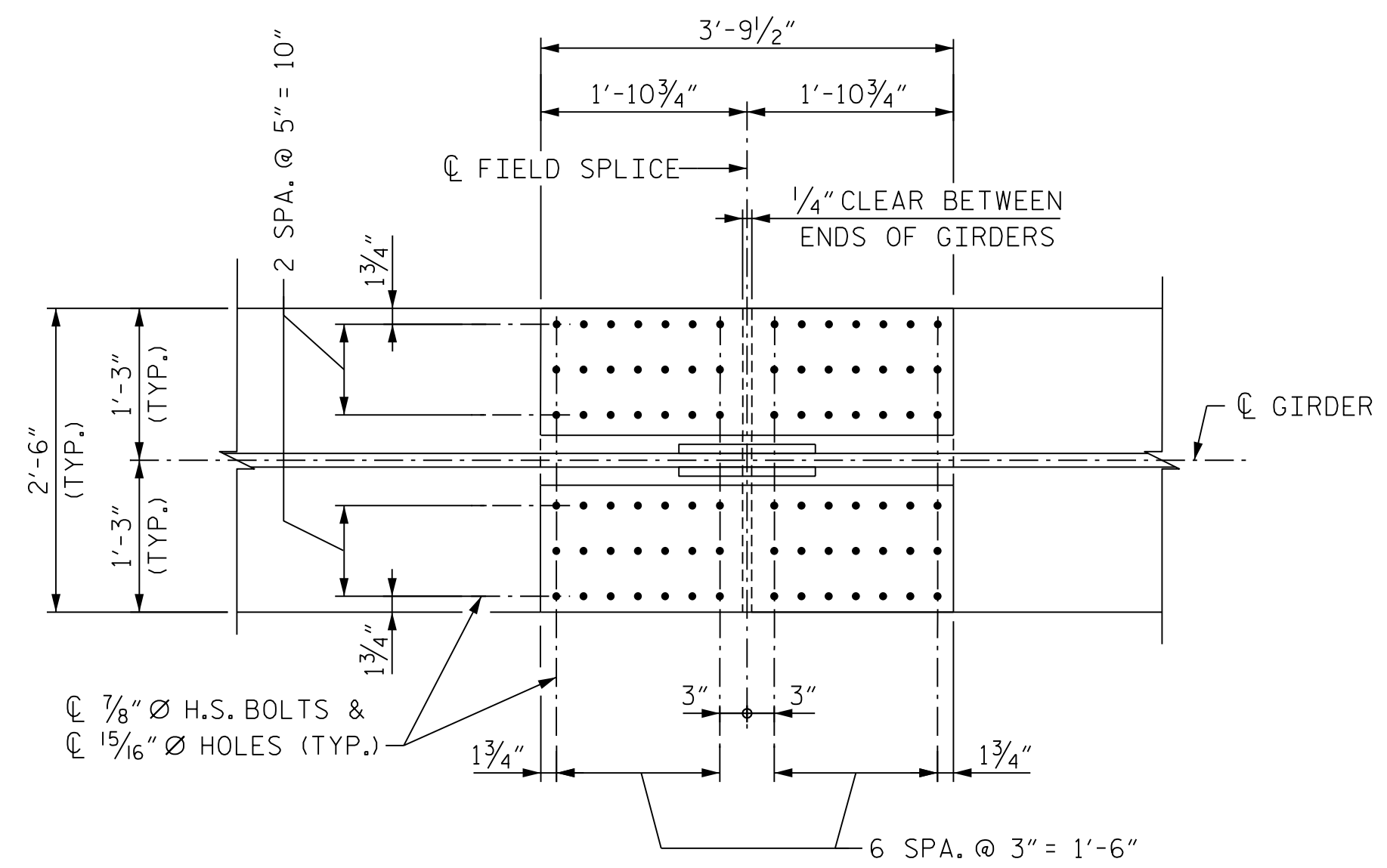


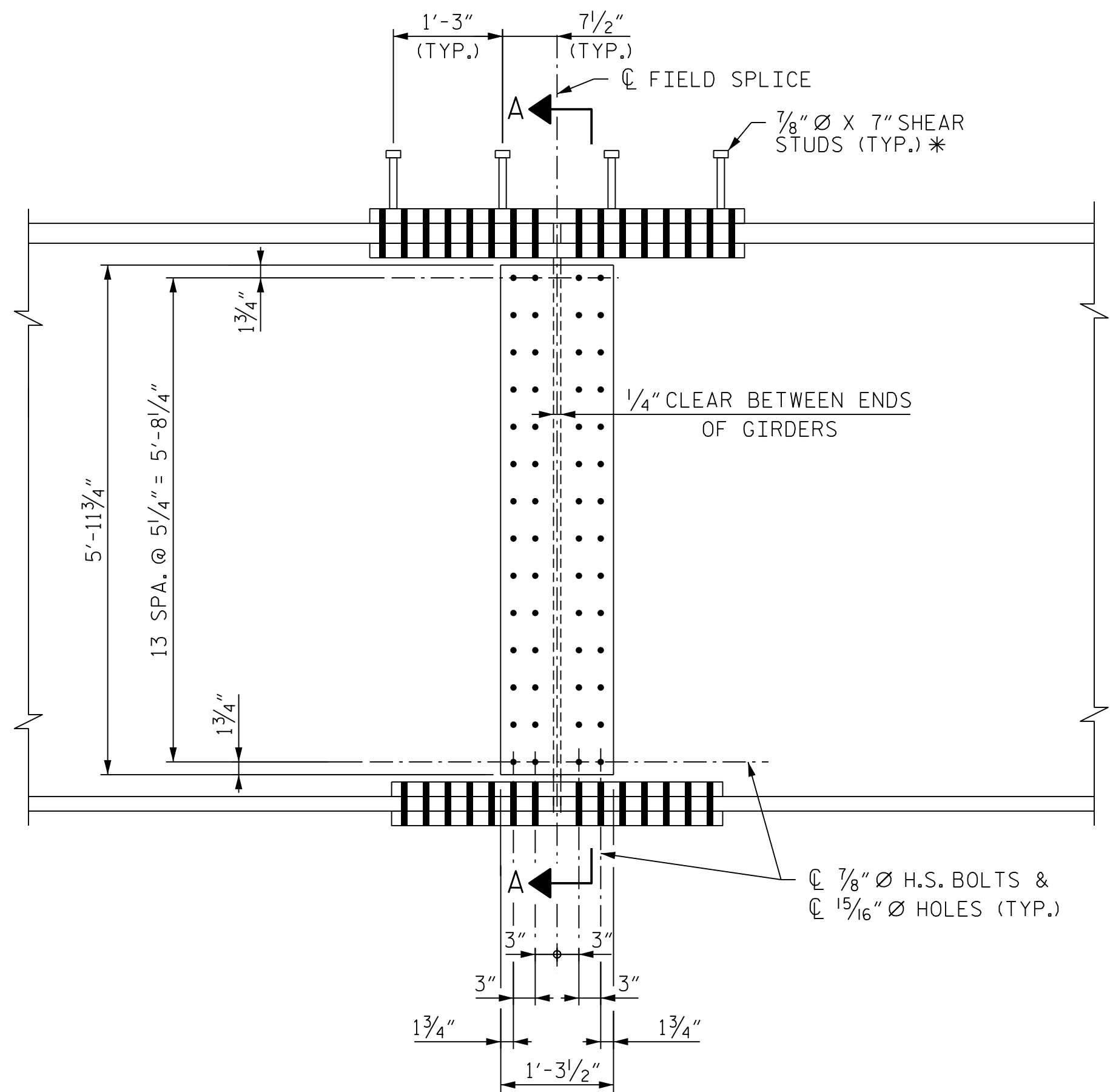
PLAN (TOP OF TOP FLANGE)

(STUDS NOT SHOWN FOR CLARITY)

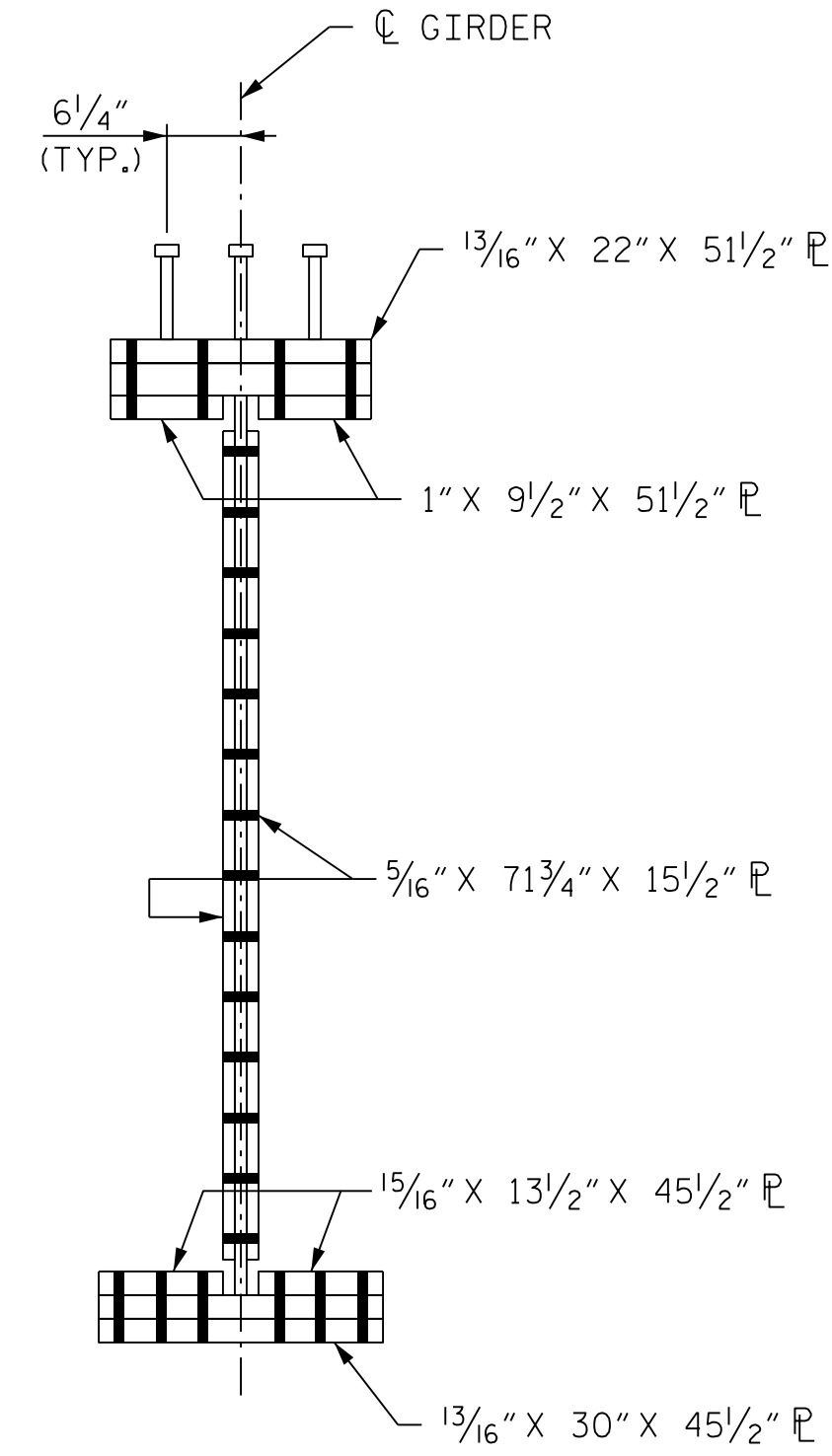
* = SHEAR STUDS ARE TO BE SHOP WELDED ON TOP OF PLATE BEFORE FIELD ASSEMBLY



PLAN (TOP OF BOTTOM FLANGE)



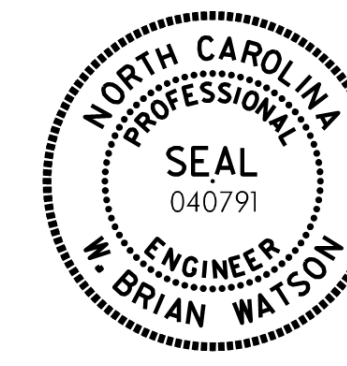
ELEVATION



SECTION A-A

PROJECT NO. B-3186/B-5898
HAYWOOD COUNTY
 STATION: 27+54.43 -Y1RT-

SHEET 2 OF 2



W. Brian Watson 1/24/2022

STATE OF NORTH CAROLINA DEPARTMENT OF TRANSPORTATION RALEIGH					
SUPERSTRUCTURE BOLTED FIELD SPLICE DETAILS - TYPE "B"					
REVISIONS					
NO.	BY:	DATE:	NO.	BY:	DATE:
1	--	--	3	--	--
2	--	--	4	--	--
					SHEET NO. S02-19 TOTAL SHEETS 48



DOCUMENT NOT CONSIDERED FINAL
UNLESS ALL SIGNATURES COMPLETED

PLOT DRIVER: NCDOT_STRUCTURE_DEFAULT_PLOTTER.plt
 PENTABLE: NCDOT_STRUCTURE_DEFAULT_PEN.tbl
 USER: PETERSON
 DATE: 1/24/2022
 TIME: 1:29:32 PM
 FILE: ... \402_090_B3186-B5898_SMJ_SS_019_430168.dgn

DES BY: <u>S. NIFONG</u>	DATE: <u>05/21</u>	DWG BY: <u>B. PETERSON</u>	DATE: <u>05/21</u>
DES CHK: <u>B. WATSON</u>	DATE: <u>05/21</u>	CHK BY: <u>B. WATSON</u>	DATE: <u>05/21</u>