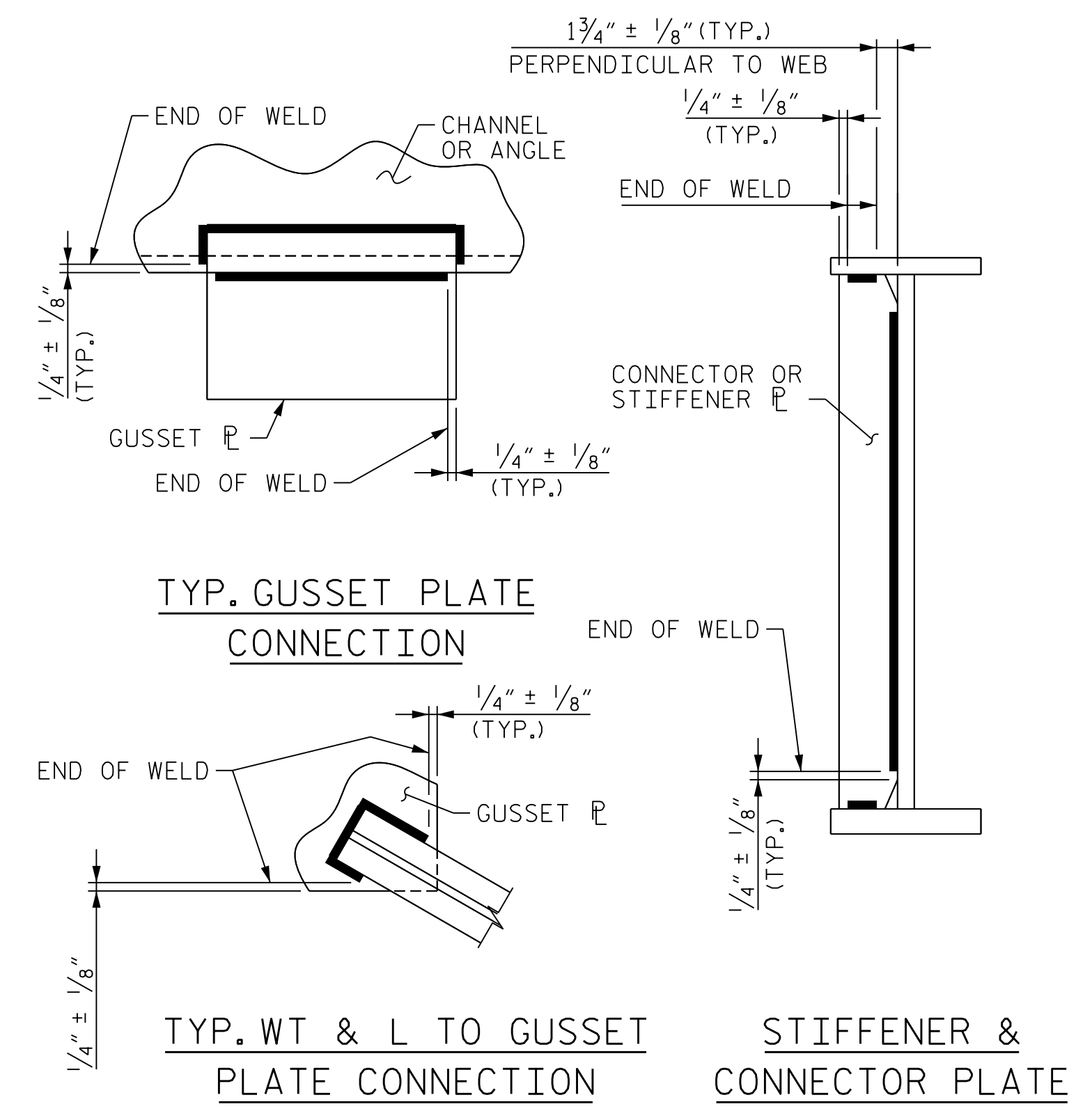
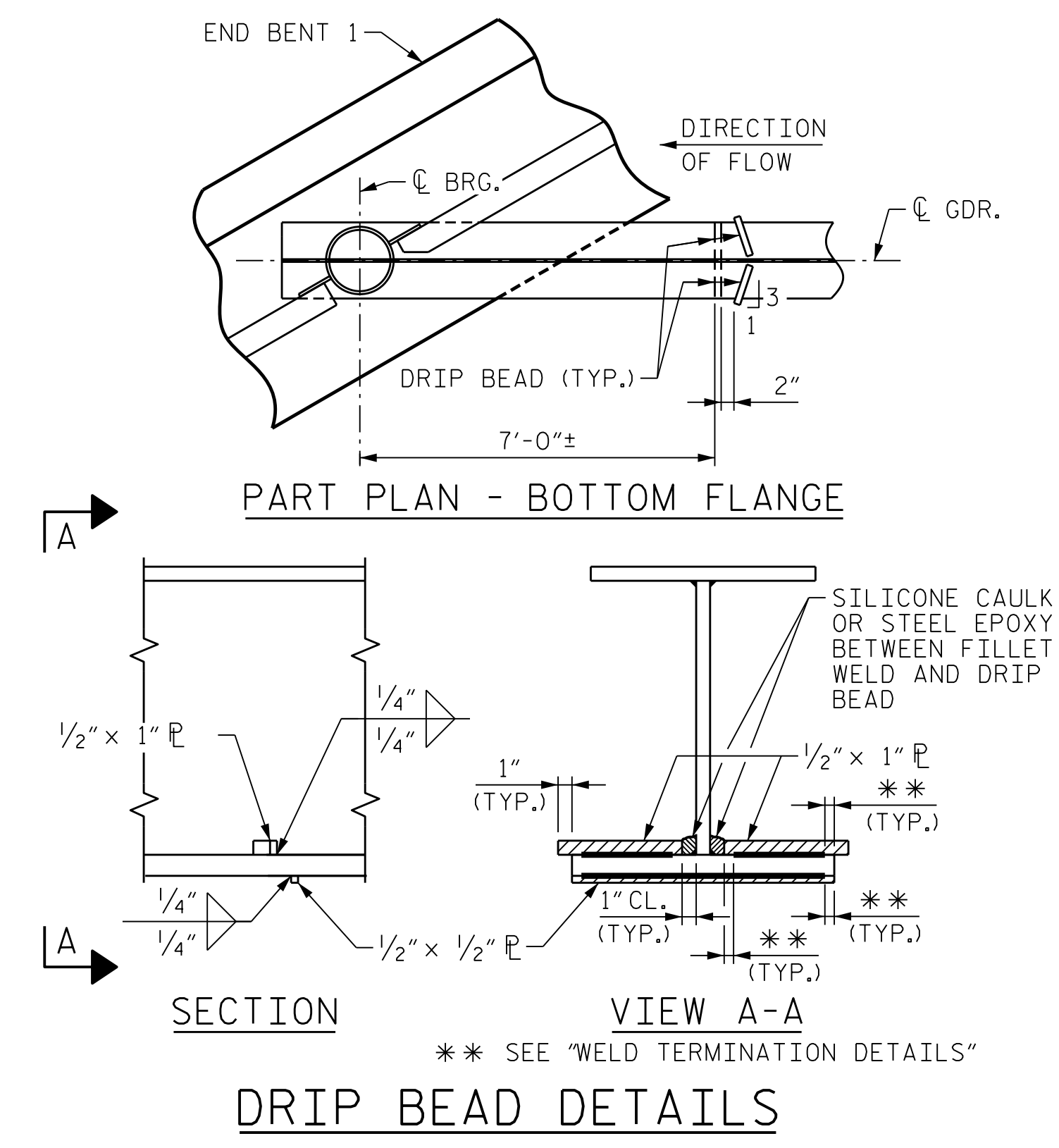


TYPICAL FLANGE AND WEB BUTT JOINT
SHOP SPLICE DETAILS

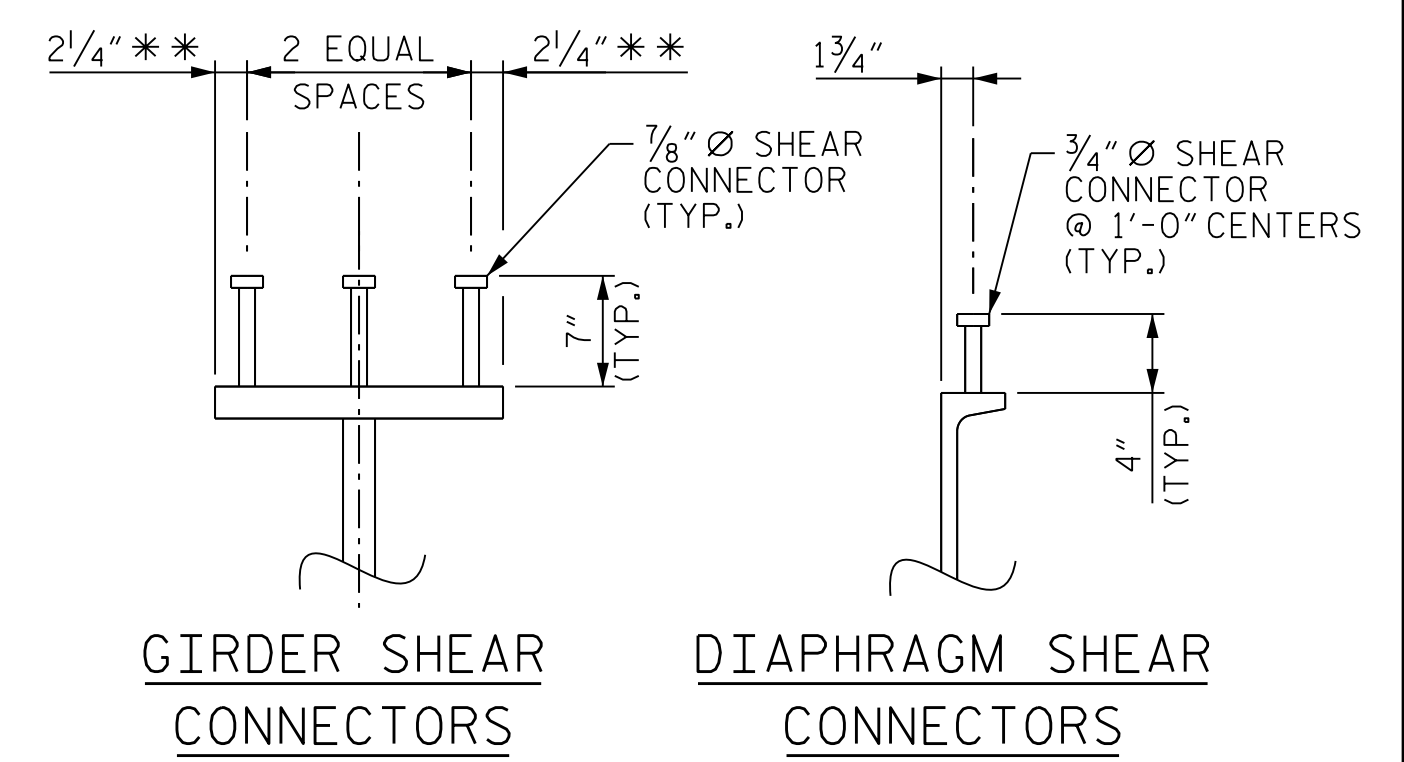
* GRIND SMOOTH AND FLUSH ON OUTER FACE OF EXTERIOR BEAMS/ GIRDERS.



WELD TERMINATION DETAILS

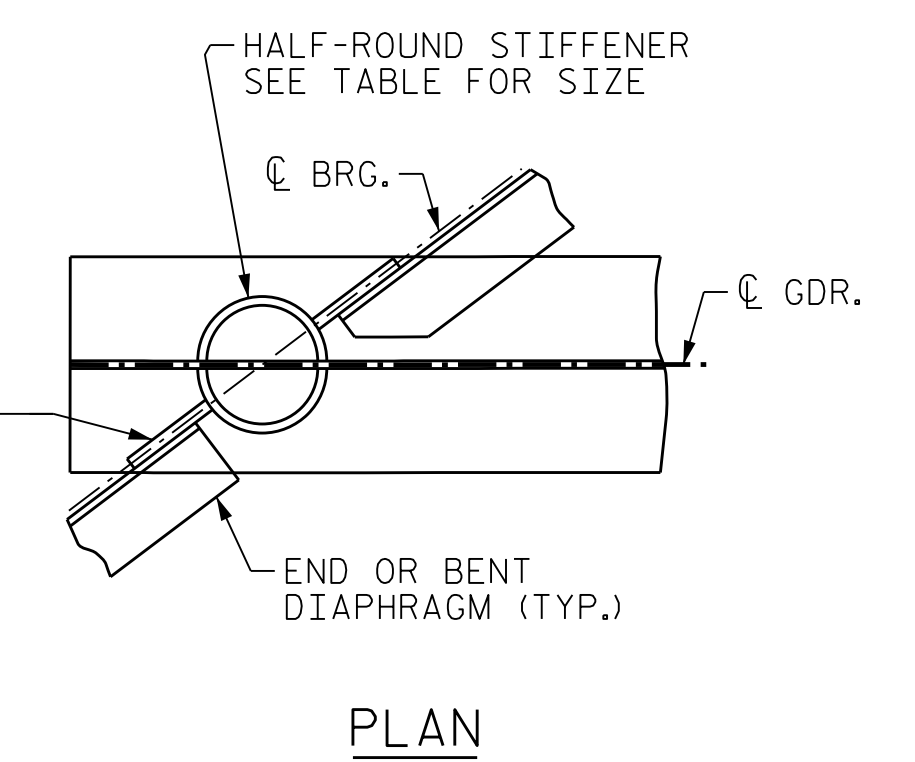
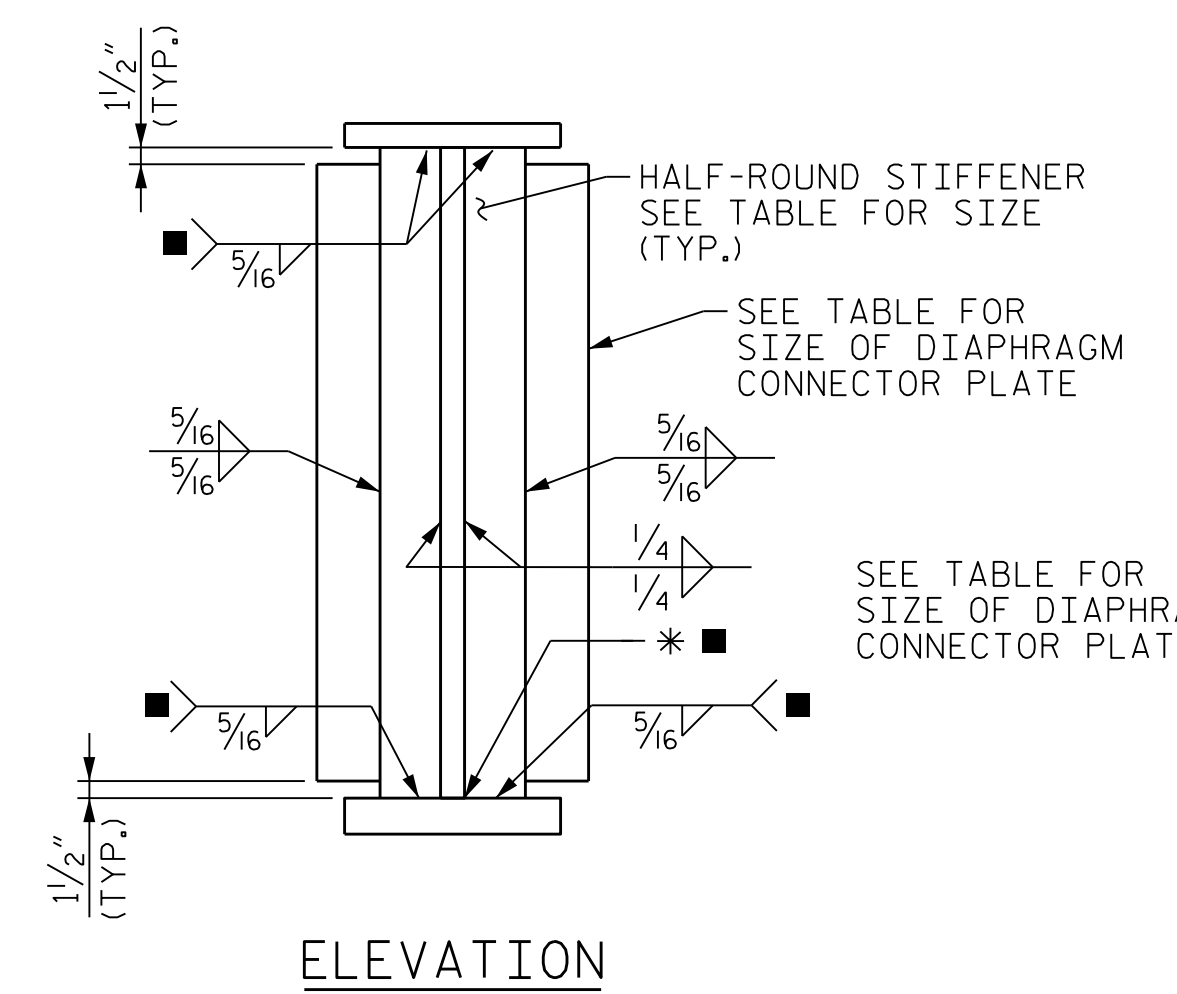


DRIP BEAD DETAILS

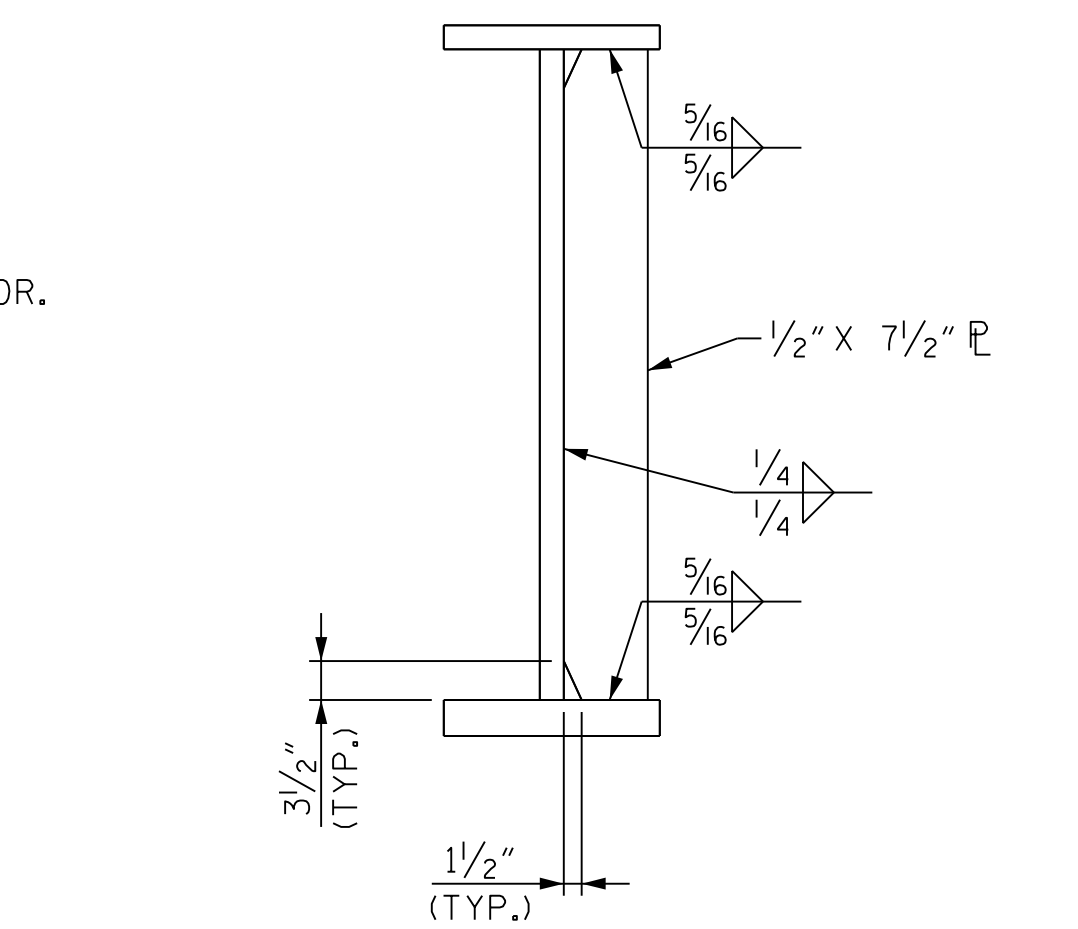


SHEAR CONNECTOR DETAILS

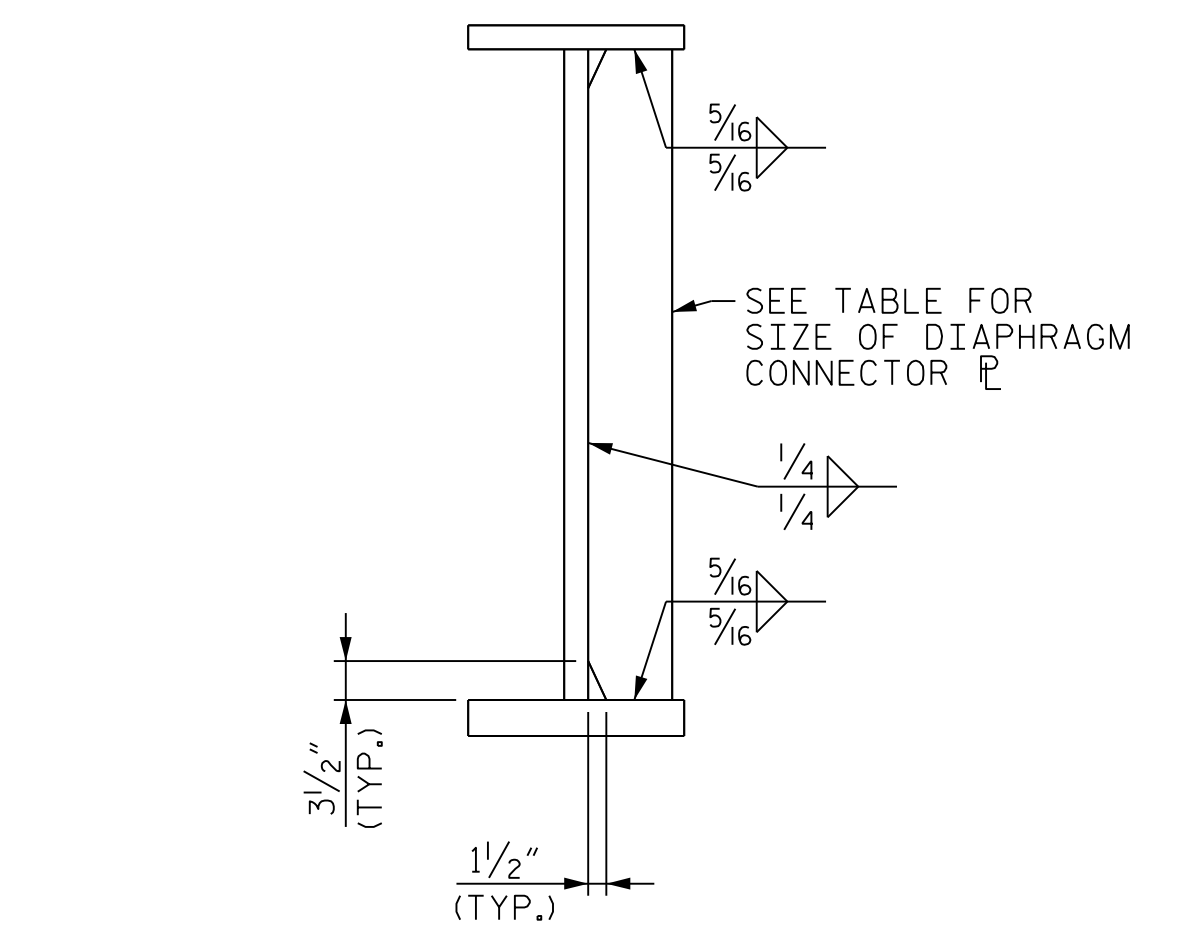
** FOR SPACING OF SHEAR CONNECTORS ON TOP PLATE OF FIELD SPLICES, SEE "SUPERSTRUCTURE BOLTED FIELD SPLICE DETAILS" SHEETS.



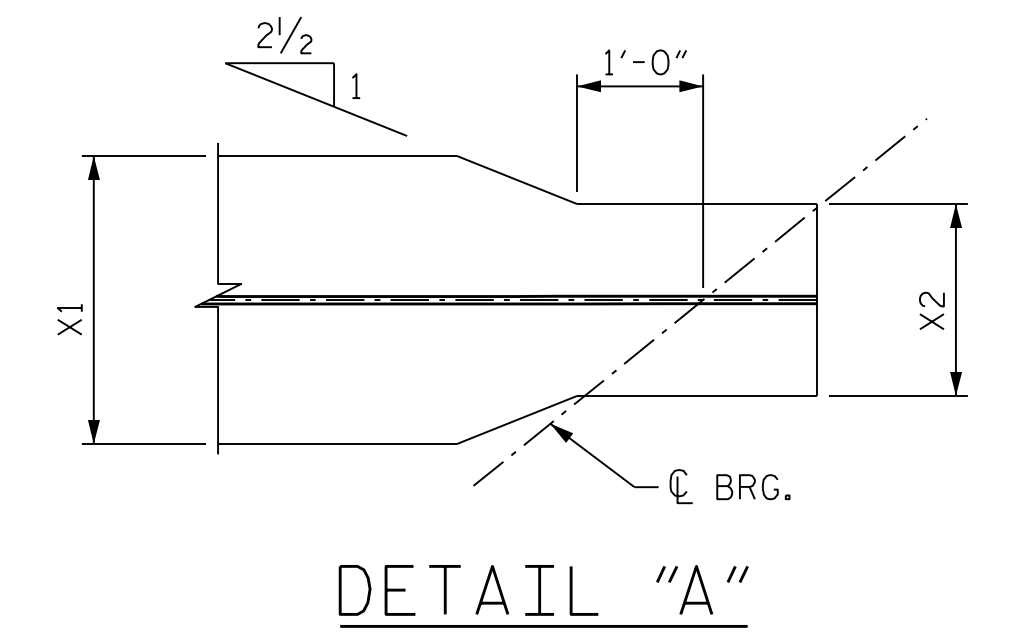
HALF-ROUND BEARING STIFFENER & CONNECTOR PLATE



INTERMEDIATE STIFFENER



INTERMEDIATE DIAPHRAGM CONNECTOR PLATE



LOCATION	X1	X2
END BENT 2 TOP FLANGE	22"	20"
END BENT 2 BOTTOM FLANGE	30"	20"

HALF-ROUND BEARING STIFFENERS	
LOCATION	SIZE
END BENT 1 & 2	10 3/4" Ø x 1/2" WALL
BENT 1	18" Ø x 5/8" WALL

DIAPHRAGM CONNECTOR PLATES	
END OR BENT DIAPHRAGM	MIN. SIZE
D1	1/2" x 8 1/2"
D4	1/2" x 9 1/2"

DIAPHRAGM CONNECTOR PLATES	
INTERMEDIATE DIAPHRAGM	MIN. SIZE
D2	1/2" x 8 1/2"
D3	1/2" x 11 1/2"

PROJECT NO. B-3186/B-5898
HAYWOOD COUNTY
 STATION: 27+54.43 -Y1RT-
 SHEET 4 OF 4

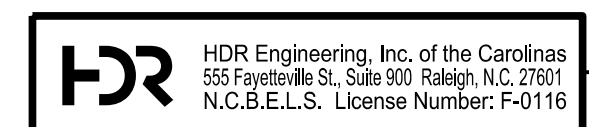
STATE OF NORTH CAROLINA
 DEPARTMENT OF TRANSPORTATION
 RALEIGH

SUPERSTRUCTURE
 STRUCTURAL STEEL
 GIRDER DETAILS



W. Brian Watson 1/24/2022

REVISIONS					
NO.	BY:	DATE:	NO.	BY:	DATE:
1	--	--	3	--	--
2	--	--	4	--	--



DOCUMENT NOT CONSIDERED FINAL
 UNLESS ALL SIGNATURES COMPLETED

PLOT DRIVER: NCDOT_STRUCTURES_DEFAULT_PLOTTER.plt
 PENTABLE: NCDOT_STRUCTURES_DEFAULT_PEN.tbl
 USER: PETERSON DATE: 1/24/2022 TIME: 1:29:14 PM
 FILE: ... \402_080_B3186-B5898_SMJ_SS_017_430168.dgn

DES BY: <u>B. WATSON</u>	DATE: <u>05/21</u>	DWG BY: <u>B. PETERSON</u>	DATE: <u>05/21</u>
DES CHK: <u>S. NIFONG</u>	DATE: <u>05/21</u>	CHK BY: <u>B. WATSON</u>	DATE: <u>05/21</u>