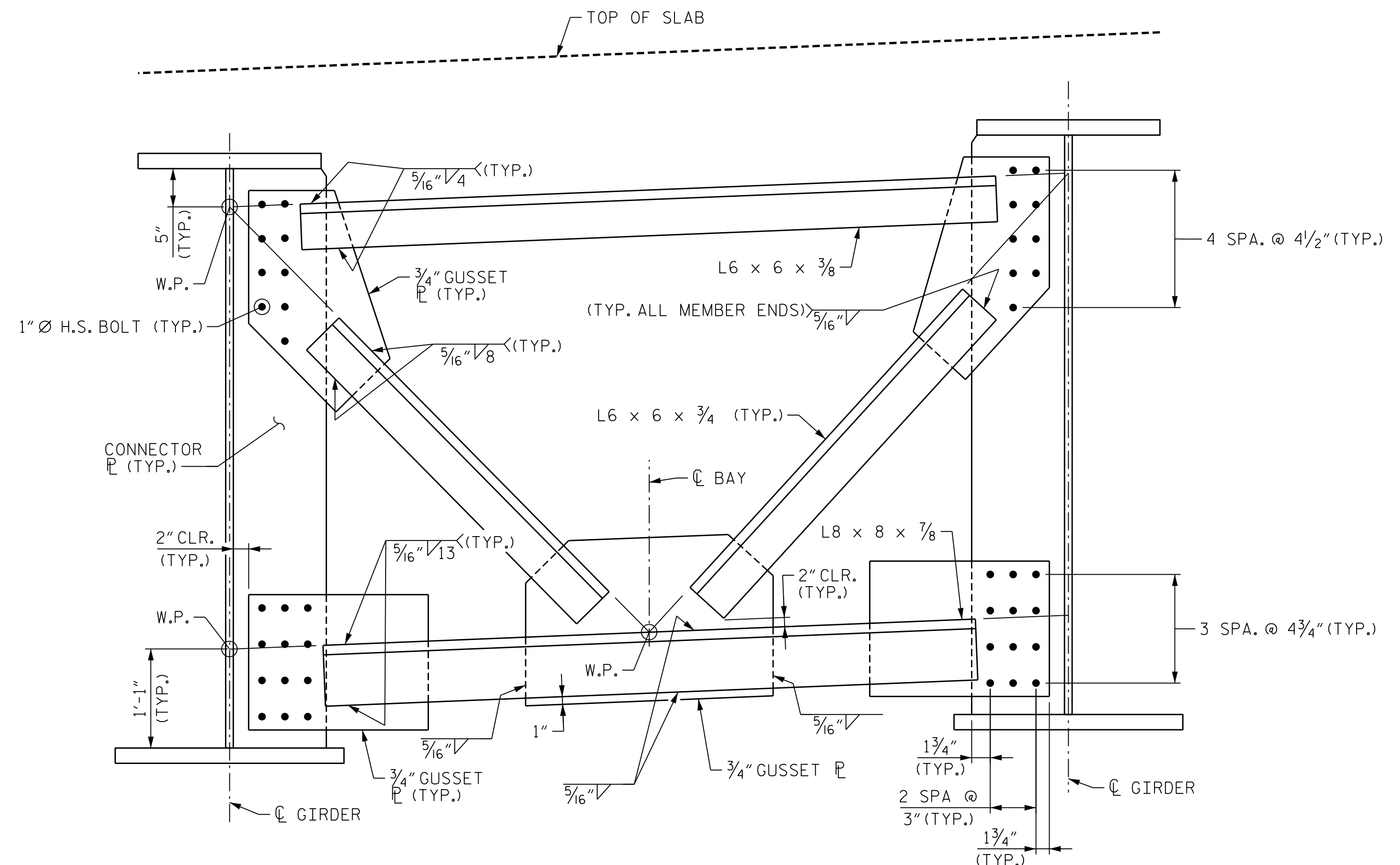


INTERMEDIATE DIAPHRAGMS (D2)



INTERMEDIATE DIAPHRAGMS (D3)

PROJECT NO. B-3186/B-5898  
HAYWOOD COUNTY  
 STATION: 27+54.43 -Y1RT-

SHEET 3 OF 4

STATE OF NORTH CAROLINA  
 DEPARTMENT OF TRANSPORTATION  
 RALEIGH

**SUPERSTRUCTURE  
 STRUCTURAL STEEL  
 GIRDER DETAILS**



W. Brian Watson 1/24/2022

REVISIONS					
NO.	BY:	DATE:	NO.	BY:	DATE:
1	--	--	3	--	--
2	--	--	4	--	--

SHEET NO. 502-16  
 TOTAL SHEETS 48

HDR Engineering, Inc. of the Carolinas  
 555 Fayetteville St., Suite 900 Raleigh, N.C. 27601  
 N.C.B.E.L.S. License Number: F-0116

DOCUMENT NOT CONSIDERED FINAL  
 UNLESS ALL SIGNATURES COMPLETED

PLOT DRIVER: NCDOT\_STRUCTURES\_DEFAULT\_PLOTTER.plt  
 PENTABLE: NCDOT\_STRUCTURES\_DEFAULT\_PEN.tbl  
 USER: PPETERSO DATE: 1/24/2022 TIME: 1:25:03 PM  
 FILE: ... \402.075.B3186-B5898\_SML.SS.016.430168.dgn

DES BY: <u>B. WATSON</u>	DATE: <u>05/21</u>	DWG BY: <u>B. PETERSON</u>	DATE: <u>05/21</u>
DES CHK: <u>S. NIFONG</u>	DATE: <u>05/21</u>	CHK BY: <u>B. WATSON</u>	DATE: <u>05/21</u>