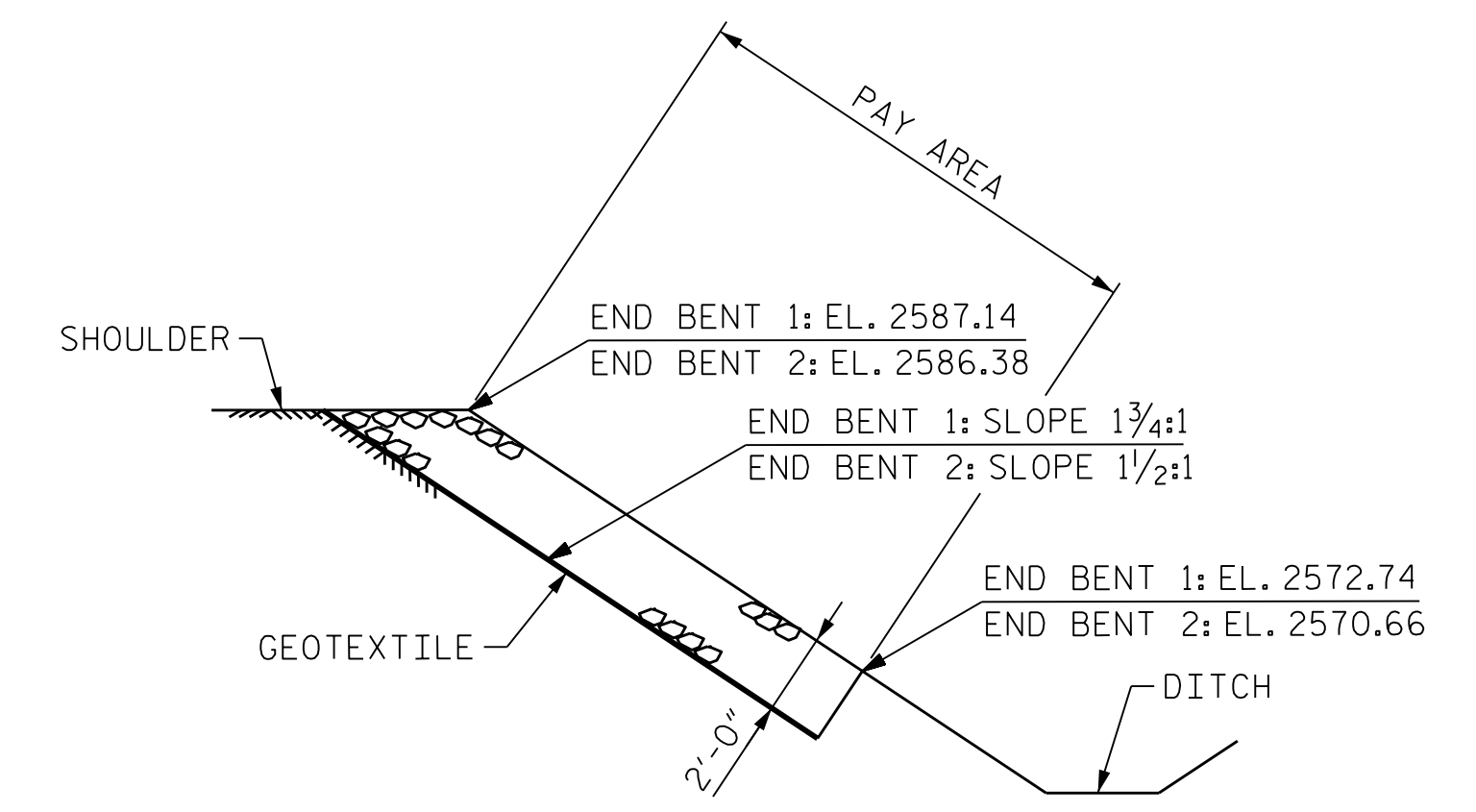


SEE GEOTECHNICAL DRAWINGS FOR REINFORCED SOIL SLOPE "RSS" DETAILS. (GEOTECHNICAL DETAIL AND PAY ITEM)

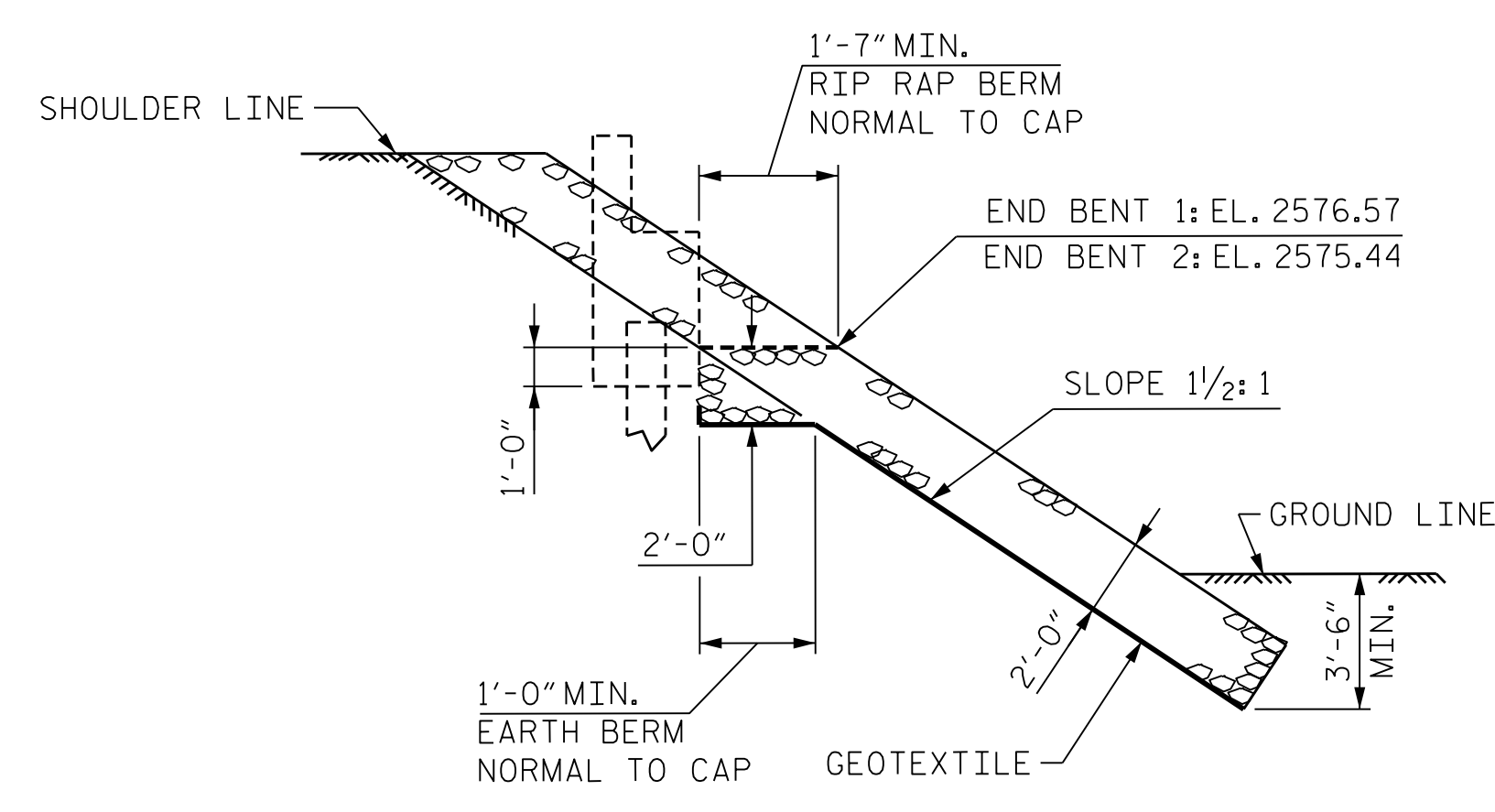
RIP RAP AT END BENT #1

BRIDGE @ STA. 42+71.13	ESTIMATED QUANTITIES			
	RIP RAP CLASS II (2'-0" THICK) (TONS)		GEOTEXTILE FOR DRAINAGE (SQUARE YARDS)	
	STAGE 1	STAGE 2	STAGE 1	STAGE 2
END BENT 1	265	160	295	175
END BENT 2	255	165	250	185

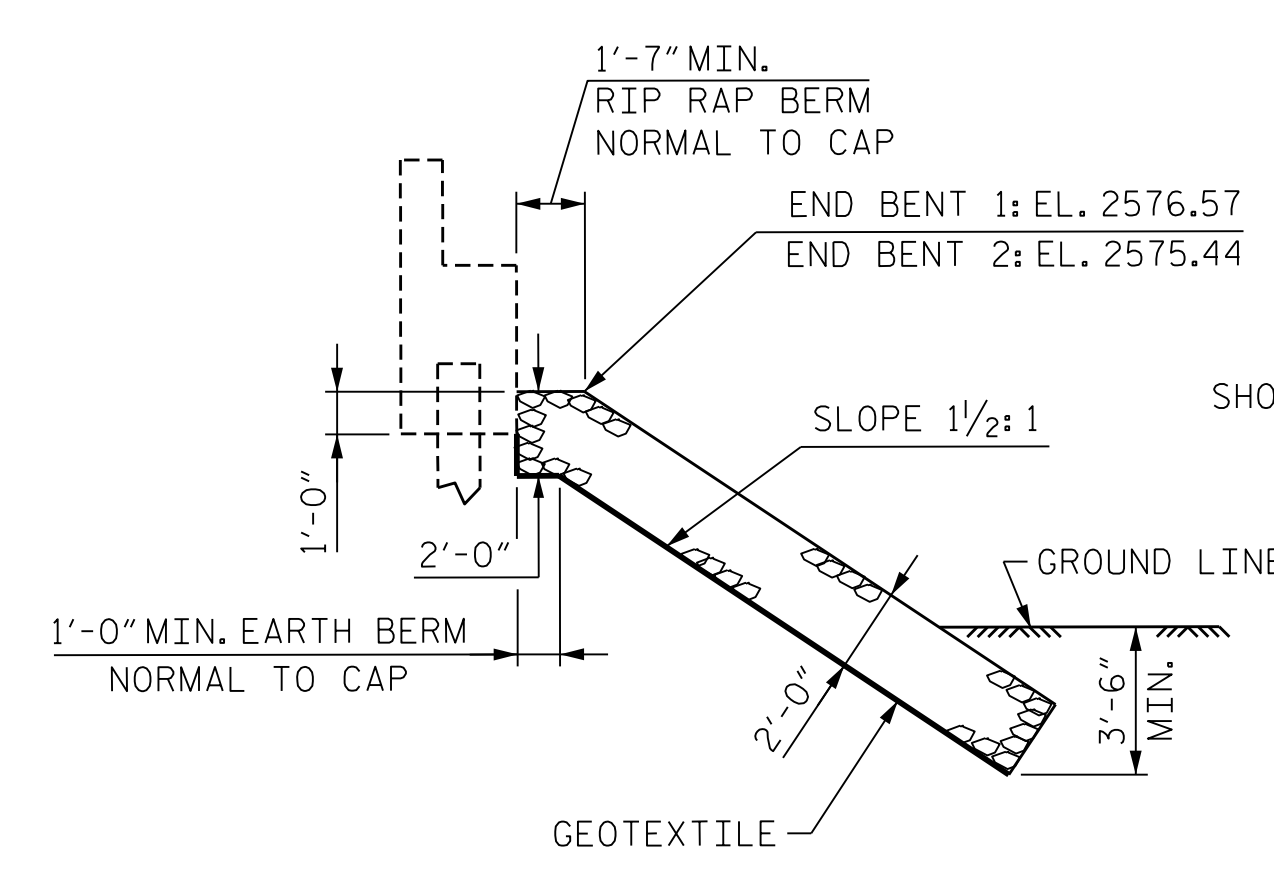
RIP RAP AT END BENT #2



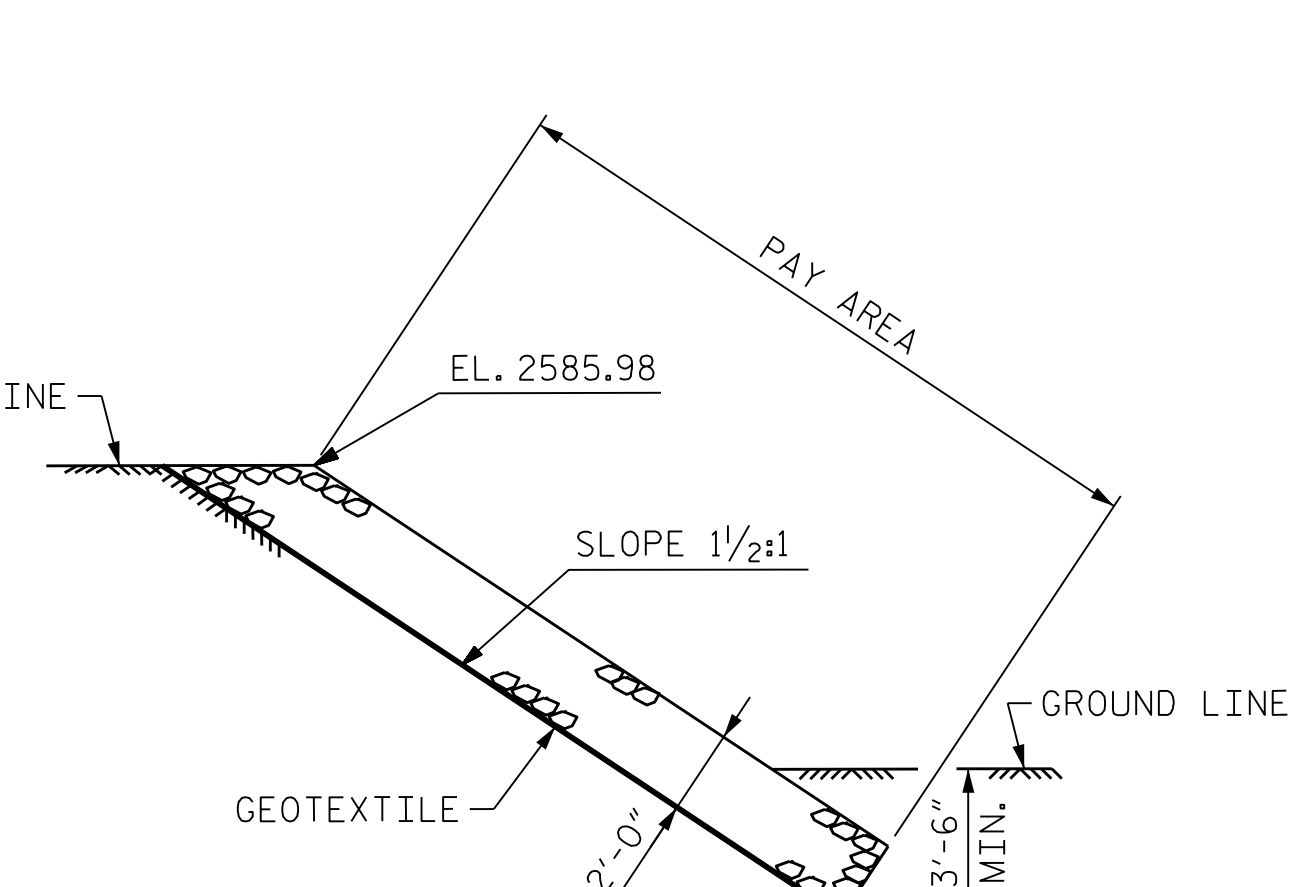
SECTION D-D



SECTION H-H



SECTION C-C
BERM RIP RAPPED



SECTION C-C

PROJECT NO. B-3186/B-5898
HAYWOOD COUNTY
 STATION: 42+71.13 -L-

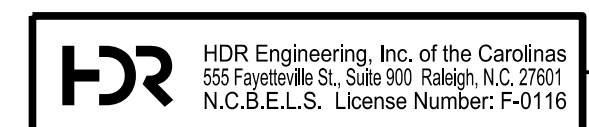
STATE OF NORTH CAROLINA
 DEPARTMENT OF TRANSPORTATION
 RALEIGH

RIP RAP DETAILS



1/25/2022

REVISIONS						SHEET NO. 501-54 TOTAL SHEETS 59
NO.	BY:	DATE:	NO.	BY:	DATE:	
1	--	--	3	--	--	TOTAL SHEETS 59
2	--	--	4	--	--	



DOCUMENT NOT CONSIDERED FINAL UNLESS ALL SIGNATURES COMPLETED

PLOT DRIVER: NCDOT STRUCTURES DEFAULT PLOTTER.plt
 USER: PETERSON
 DATE: 1/25/2022
 TIME: 8:34:42 AM
 FILE: ... \401_265_B5898B3186_SMU_SF_054_430168.dgn

DES BY: H. ABU NIMEH DATE: 06/21 DWG BY: D. CARTER DATE: 06/21
 DES CHK: K. DICKENS DATE: 07/21 CHK BY: K. DICKENS DATE: 07/21