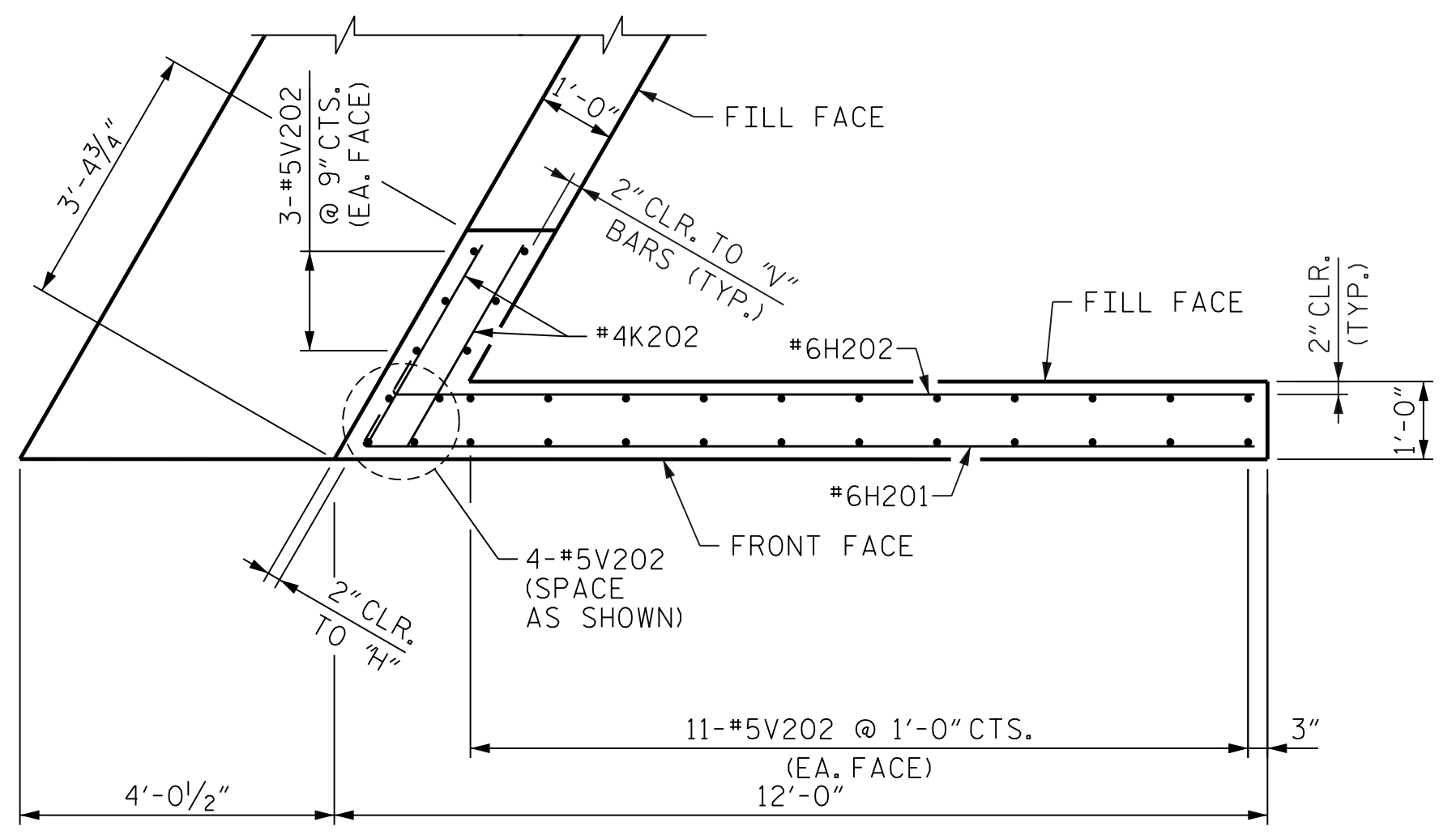
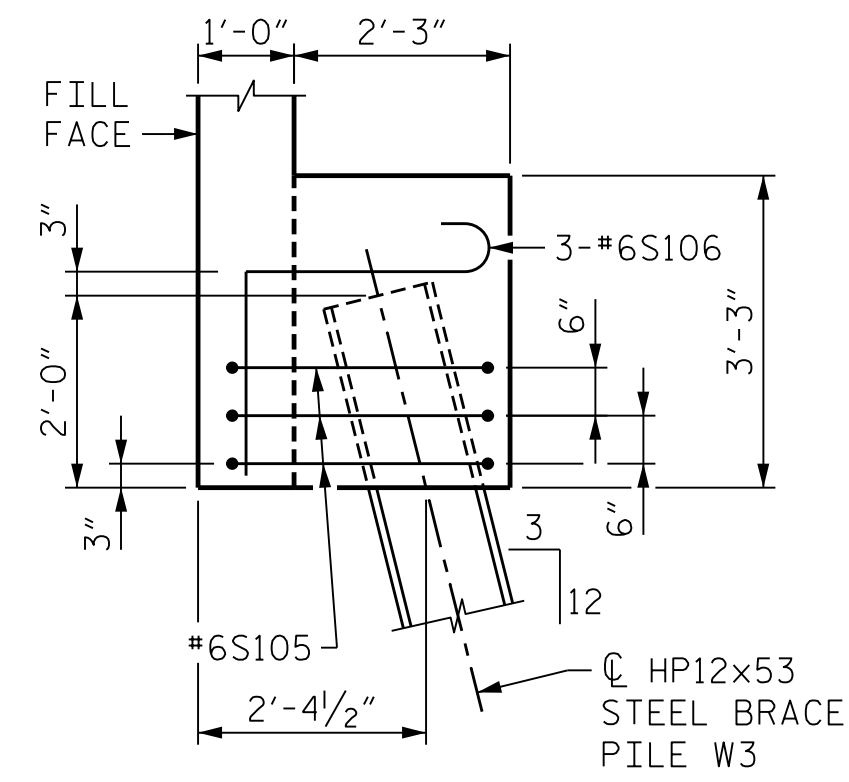


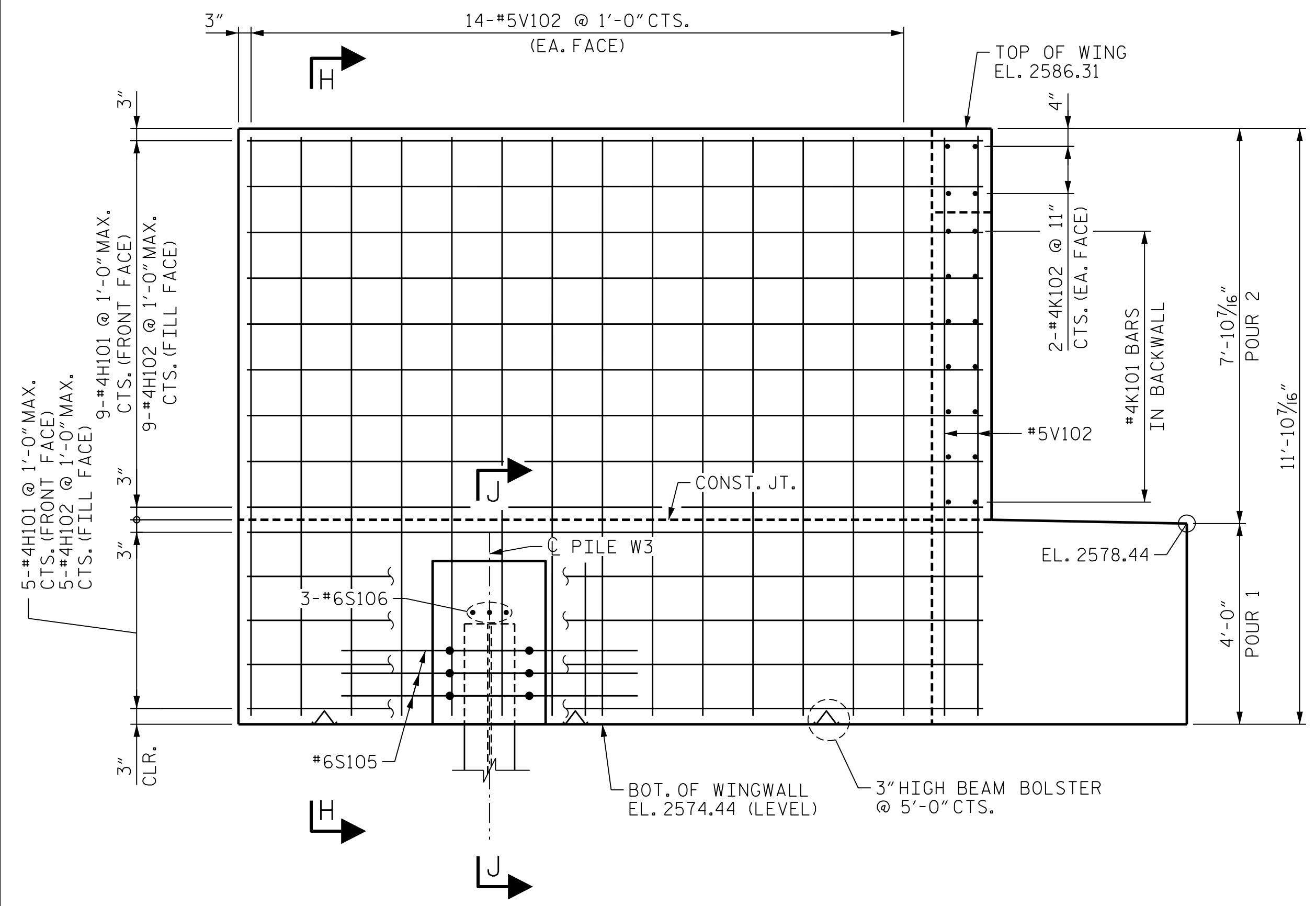
PLAN - WINGWALL "W3"



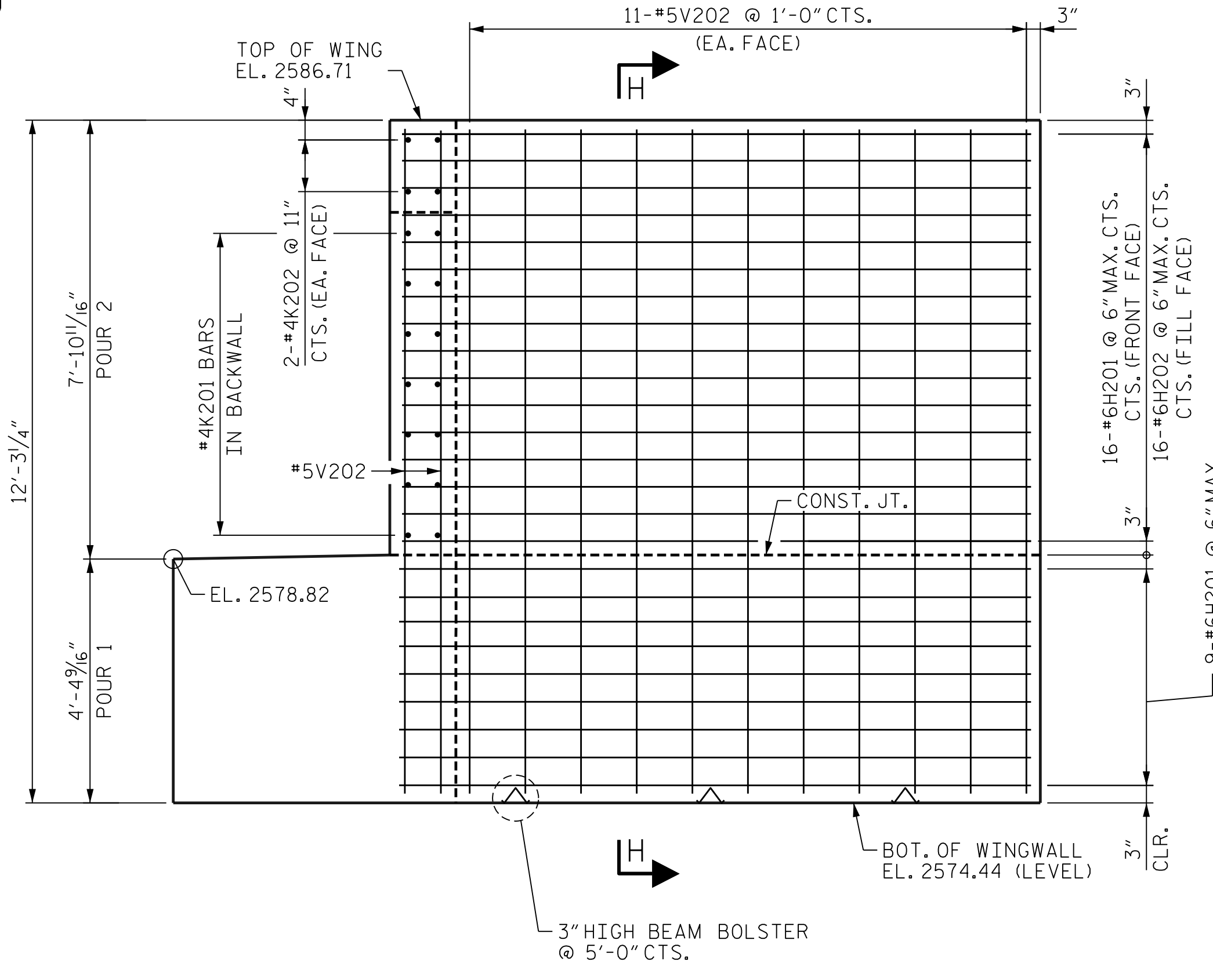
PLAN - WINGWALL "W4"



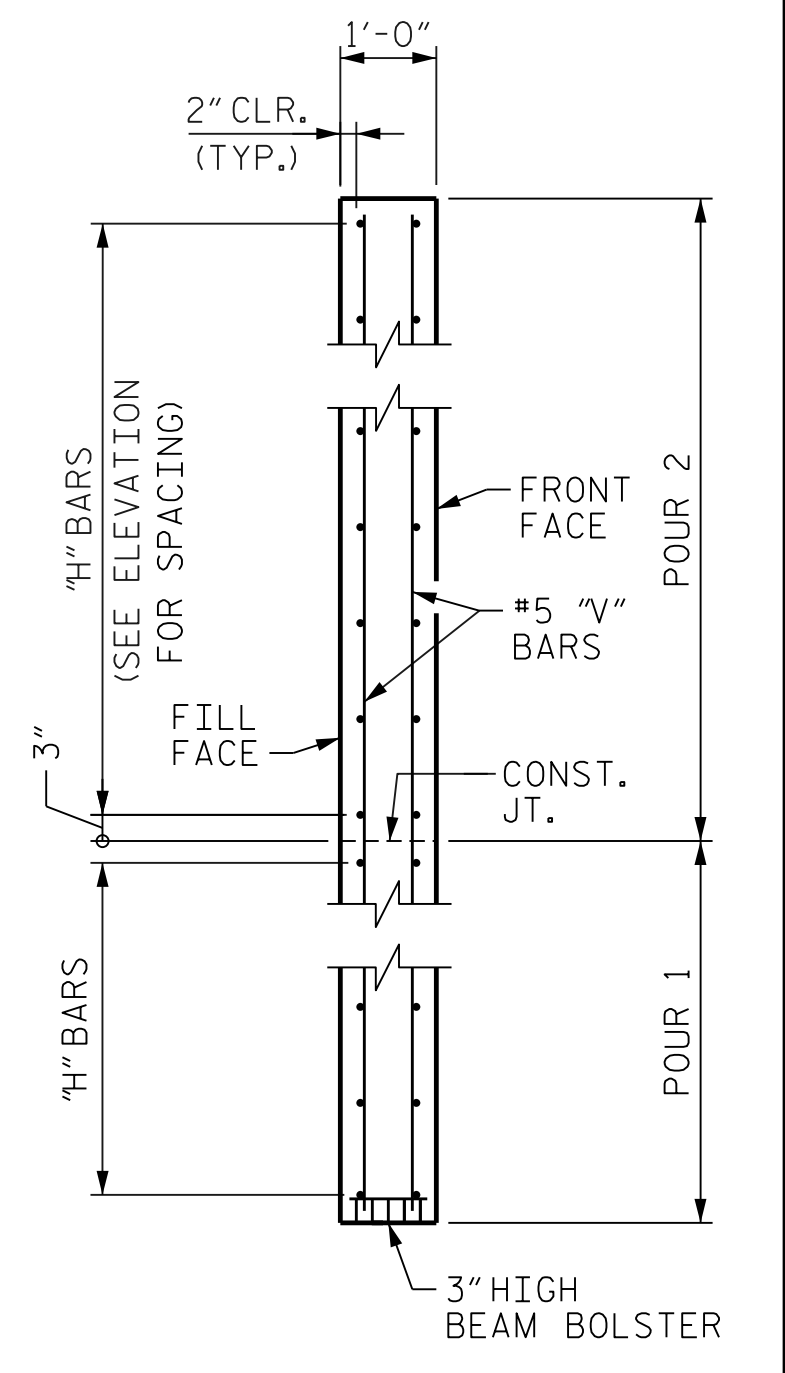
SECTION J-J



ELEVATION - WINGWALL "W3"



ELEVATION - WINGWALL "W4"



SECTION H-H

PROJECT NO. B-3186/B-5898
HAYWOOD COUNTY
 STATION: 42+71.13 -L-

SHEET 4 OF 6

STATE OF NORTH CAROLINA
 DEPARTMENT OF TRANSPORTATION
 RALEIGH

SUBSTRUCTURE
 END BENT 2
 WINGWALLS



1/25/2022

PLOT DRIVER: NCDOT_STRUCTURE_DEFAULT_PLOTTER.plt
 USER: PPETERSO DATE: 1/25/2022 TIME: 8:34:12 AM
 FILE: ... \401_250_B5898B3186_SMU-E2_051_430168.dgn

DES BY: K. DICKENS	DATE: 06/21	DWG BY: B. PETERSON	DATE: 06/21
DES CHK: L. GUALTIERI	DATE: 06/21	CHK BY: K. DICKENS	DATE: 07/21



DOCUMENT NOT CONSIDERED FINAL
 UNLESS ALL SIGNATURES COMPLETED

REVISIONS					
NO.	BY:	DATE:	NO.	BY:	DATE:
1	--	--	3	--	--
2	--	--	4	--	--

SHEET NO. S01-51
 TOTAL SHEETS 59