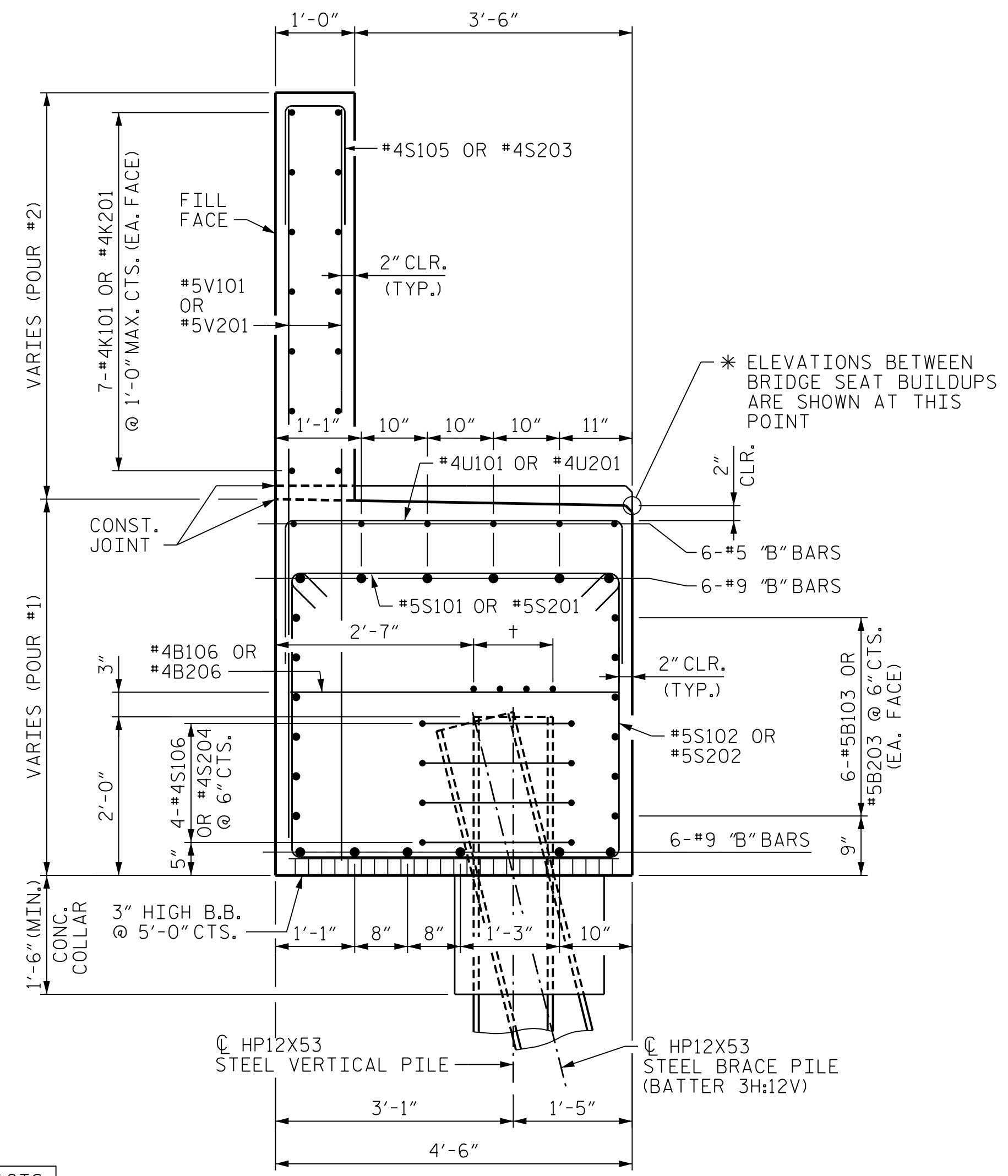
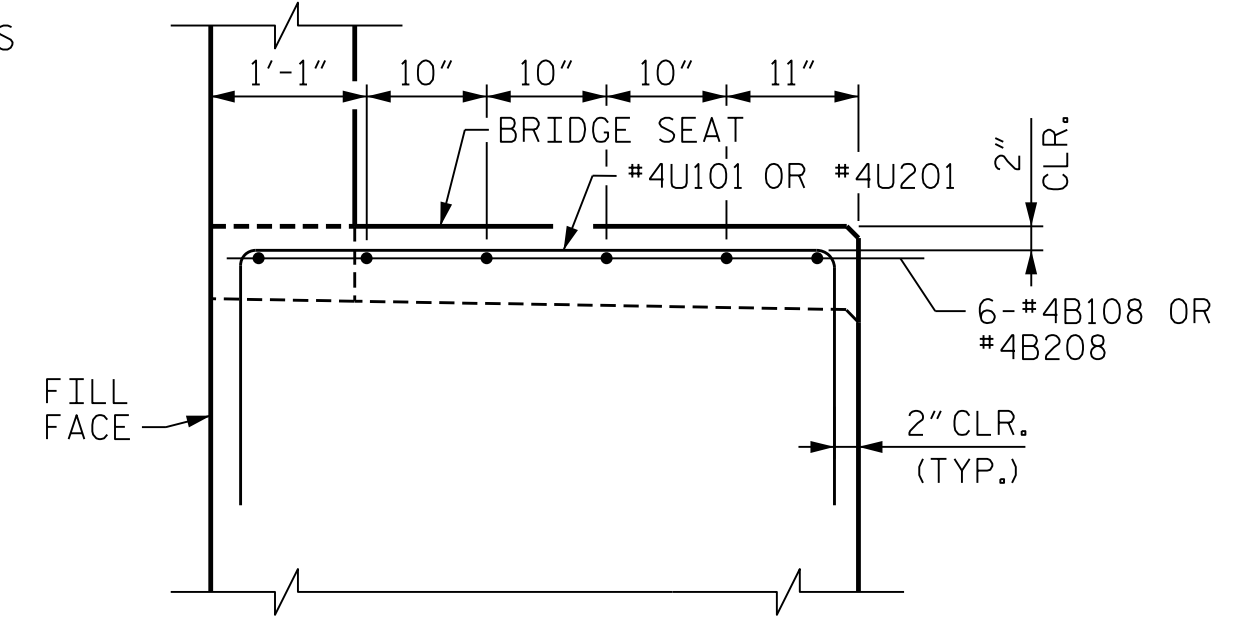


SECTION A-A

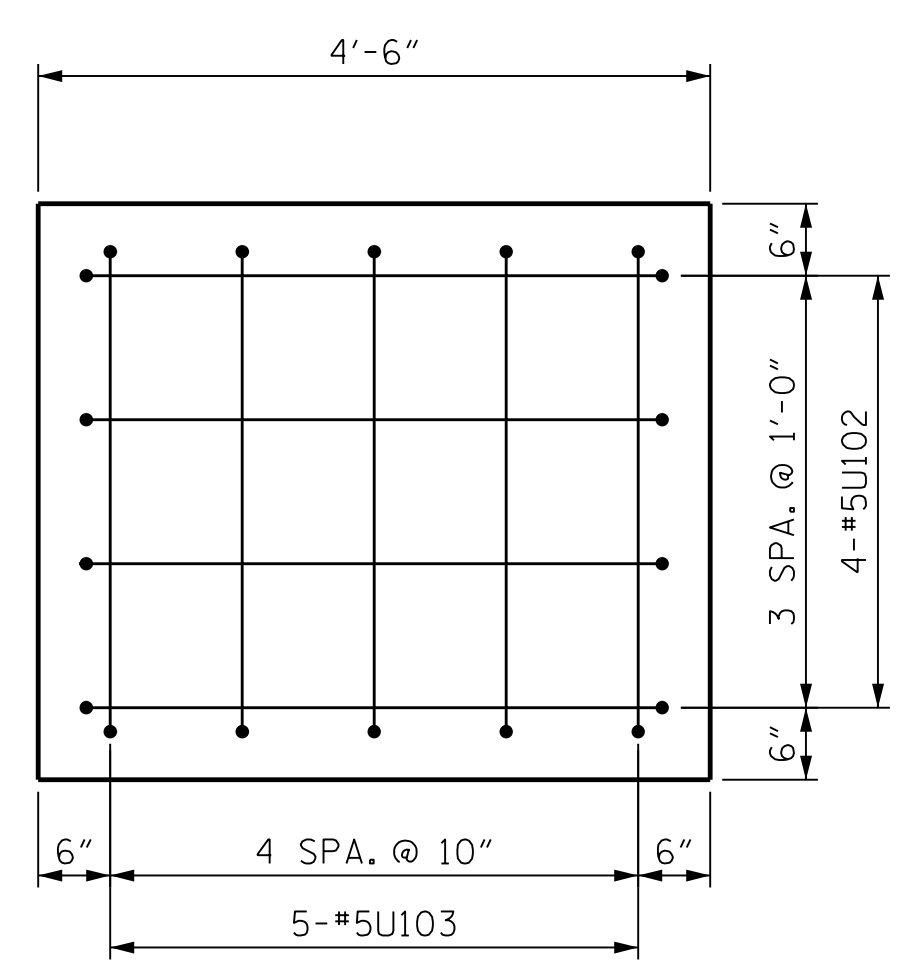


SECTION B-B

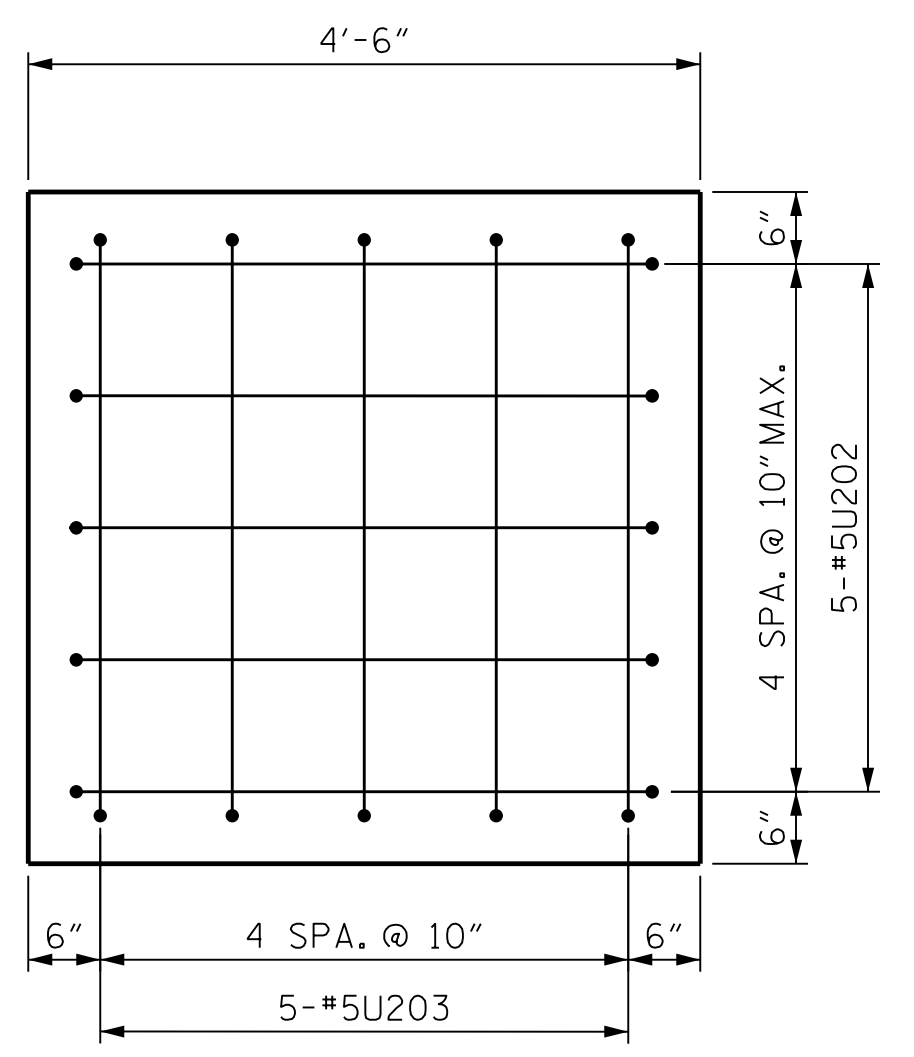
† = 4-#4B107 OR #4B207 @ 4" CTS.



SECTION C-C



VIEW F-F



VIEW G-G

PROJECT NO. B-3186/B-5898
HAYWOOD COUNTY
 STATION: 42+71.13 -L-
 SHEET 5 OF 6

STATE OF NORTH CAROLINA
 DEPARTMENT OF TRANSPORTATION
 RALEIGH

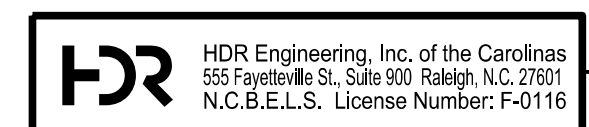
**SUBSTRUCTURE
 END BENT 1
 SECTIONS AND DETAILS**



Kent Dickens 1/25/2022

REVISIONS					
NO.	BY:	DATE:	NO.	BY:	DATE:
1	--	--	3	--	--
2	--	--	4	--	--

SHEET NO. 501-42
TOTAL SHEETS 59



**DOCUMENT NOT CONSIDERED FINAL
 UNLESS ALL SIGNATURES COMPLETED**

PLOT DRIVER: NCDOT STRUCTURES DEFAULT PLOTTER.plt
 USER: PPETERSO
 DATE: 1/25/2022
 TIME: 8:32:29 AM
 FILE: ... \401_205_B5898B3186_SMU_E1_042_430168.dgn

DES BY: <u>K. DICKENS</u>	DATE: <u>06/21</u>	DWG BY: <u>B. PETERSON</u>	DATE: <u>06/21</u>
DES CHK: <u>L. GUALTIERI</u>	DATE: <u>06/21</u>	CHK BY: <u>K. DICKENS</u>	DATE: <u>07/21</u>