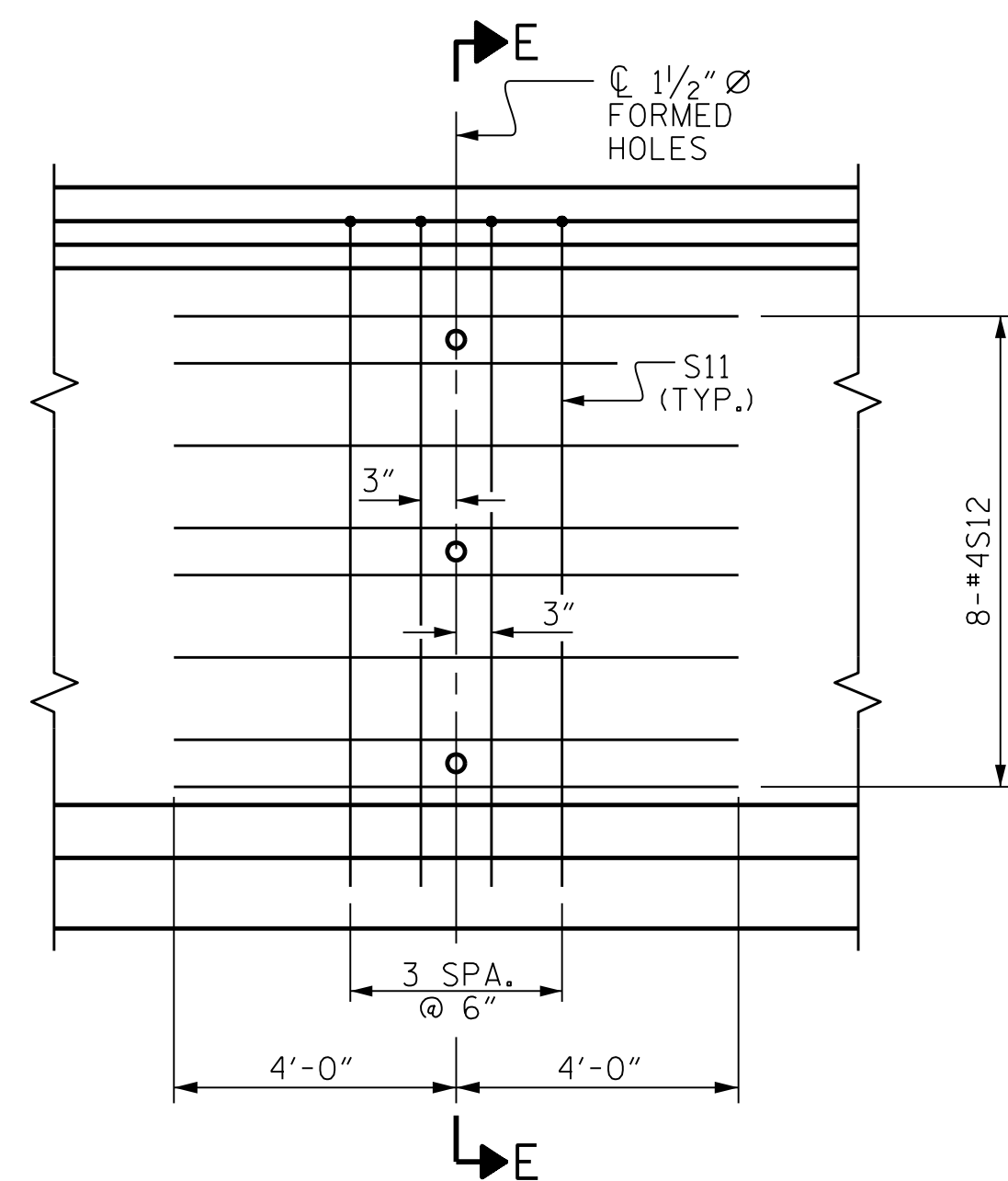
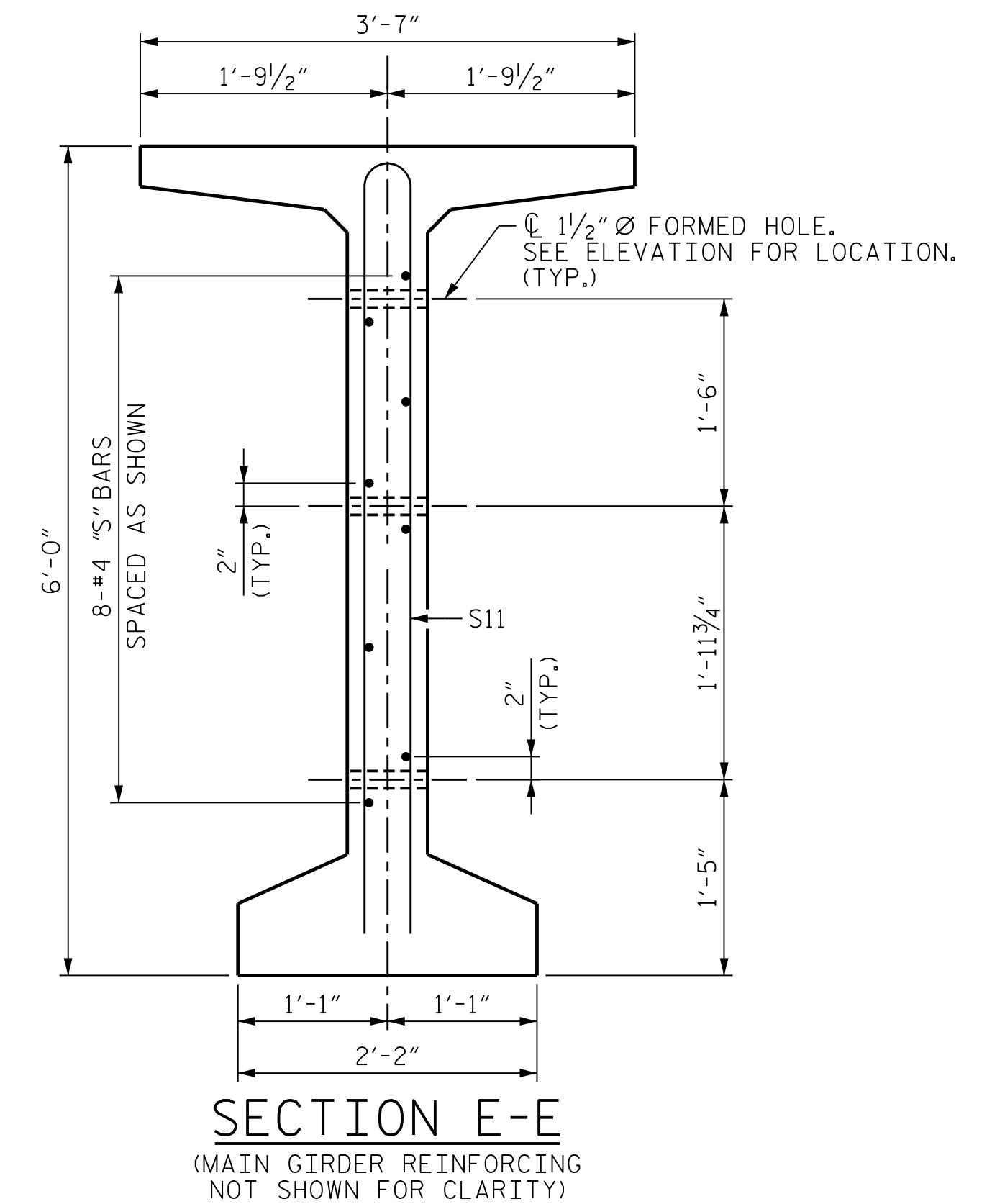
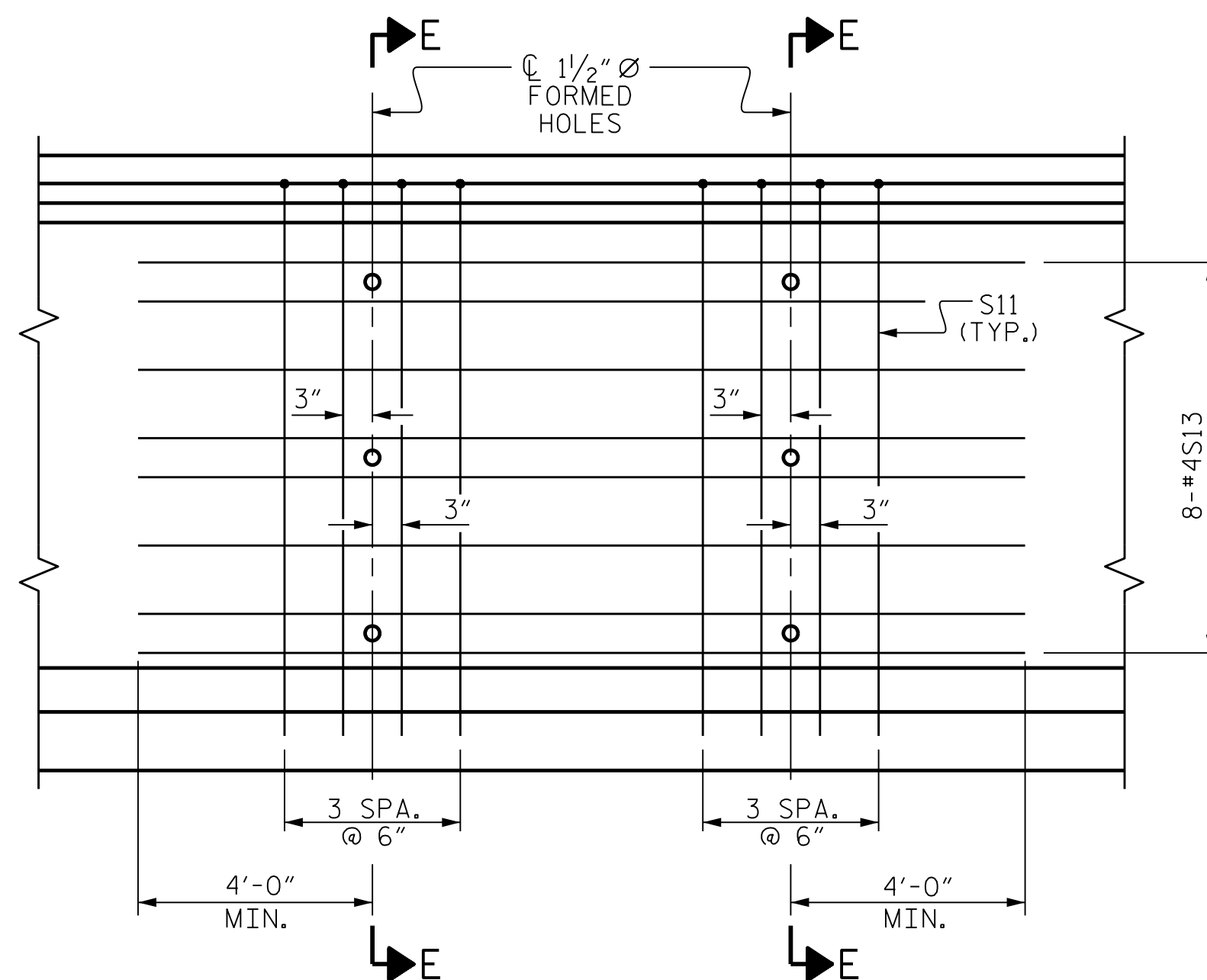


DIRECTION OF INCREASING STATIONS
LOCATION OF 1 1/2" Ø FORMED HOLE



PARTIAL ELEVATION
 SHOWING INTERMEDIATE STEEL DIAPHRAGM REINFORCING STEEL FOR EXTERIOR GIRDERS



PARTIAL ELEVATION
 SHOWING INTERMEDIATE STEEL DIAPHRAGM REINFORCING STEEL FOR EXTERIOR GIRDERS

TABLE OF 1 1/2" Ø FORMED HOLE DIMENSIONS					
GIRDER	L	DIM "A"	DIM "B"	DIM "C"	DIM "D"
A1	129'-4 3/8"	40'-6 7/8"	42'-8 3/4"	-	-
A2 THRU A6 & A9 THRU A12	129'-4 3/8"	40'-6 7/8"	5'-5 7/8"	37'-2 7/8"	5'-5 7/8"
A7	129'-4 3/8"	41'-0 5/16"	4'-11 13/16"	37'-8 5/16"	4'-11 13/16"
A8	129'-4 3/8"	40'-6 7/8"	4'-11 13/16"	37'-8 5/16"	4'-11 13/16"
A13	129'-4 3/8"	46'-0 3/4"	42'-8 3/4"	-	-
B1	97'-7 3/8"	46'-0 3/4"	-	-	-
B2 THRU B6 & B9 THRU B12	97'-7 3/8"	46'-0 3/4"	5'-5 7/8"	-	-
B7	97'-7 3/8"	46'-6 13/16"	4'-11 13/16"	-	-
B8	97'-7 3/8"	46'-0 3/4"	4'-11 13/16"	-	-
B13	97'-7 3/8"	51'-6 5/8"	-	-	-

PROJECT NO. B-3186/B-5898
HAYWOOD COUNTY
 STATION: 42+71.13 -L-

SHEET 4 OF 4



1/25/2022

STATE OF NORTH CAROLINA
 DEPARTMENT OF TRANSPORTATION
 RALEIGH
**SUPERSTRUCTURE
 PRESTRESSED CONCRETE
 GIRDER FOR LINK SLAB
 DETAILS**

REVISIONS					
NO.	BY:	DATE:	NO.	BY:	DATE:
1	--	--	3	--	--
2	--	--	4	--	--

SHEET NO. 501-24
 TOTAL SHEETS 59



DOCUMENT NOT CONSIDERED FINAL UNLESS ALL SIGNATURES COMPLETED

PLOT DRIVER: NCDOT STRUCTURES DEFAULT PLOTTER.PHT
 USER: PETERSON DATE: 1/25/2022
 FILE: ... \401.115.858983186_SMLJ.01.024_430168.dgn
 PENTABLE: NCDOT STRUCTURES DEFAULT PEN.tbl
 TIME: 8:29:24 AM

DES BY: K. DICKENS DATE: 06/21 DWG BY: B. PETERSON DATE: 06/21
 DES CHK: B. ROGERS DATE: 06/21 CHK BY: B. ROGERS DATE: 07/21