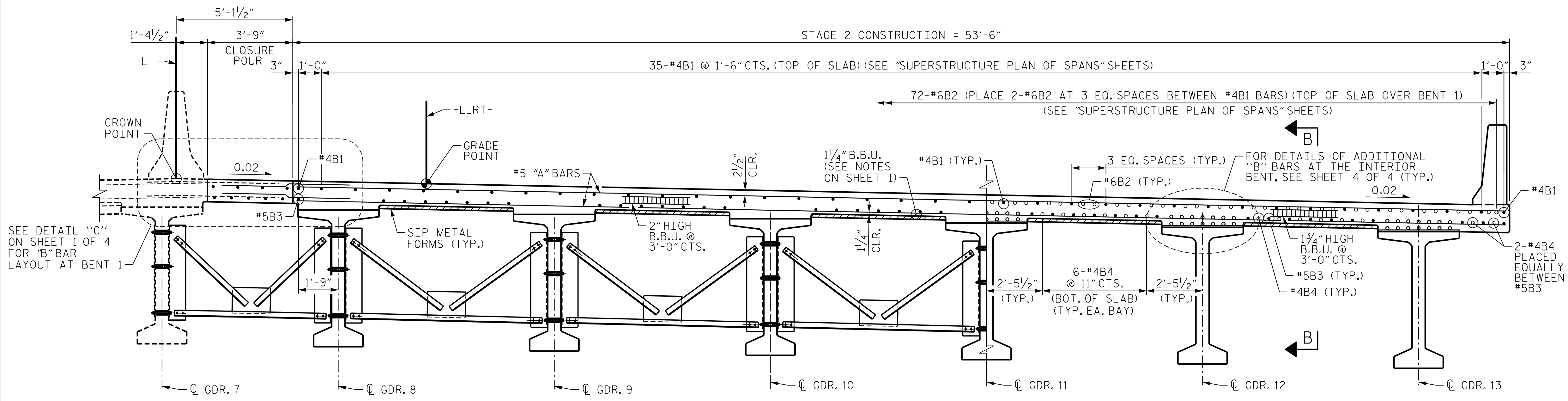


TYPICAL SECTION
SHOWING END BENT DIAPHRAGMS



PARTIAL TYPICAL SECTION
SHOWING INTERMEDIATE DIAPHRAGMS

PARTIAL TYPICAL SECTION
AT BENT 1

NOTES
FOR SECTION A-A AND B-B, SEE SHEET 4 OF 4.

PROJECT NO. B-3186/B-5898
HAYWOOD COUNTY
STATION: 42+71.13 -L-

SHEET 3 OF 4

STATE OF NORTH CAROLINA
DEPARTMENT OF TRANSPORTATION
RALEIGH

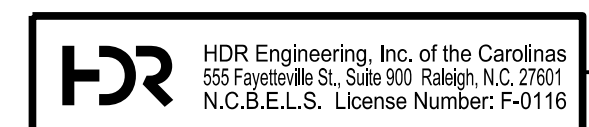
SUPERSTRUCTURE
TYPICAL SECTION



1/25/2022

PLOT DRIVER: NCDOT STRUCTURES DEFAULT PLOTTER.plt
 USER: PPETERSO DATE: 1/25/2022 TIME: 8:26:16 AM
 FILE: ... \401_040_B5898B3186_SMU_TS_009_430168.dgn

DES BY: H. ABU NIMEH	DATE: 05/21	DWG BY: B. PETERSON	DATE: 05/21
DES CHK: K. DICKENS	DATE: 05/21	CHK BY: K. DICKENS	DATE: 06/21



DOCUMENT NOT CONSIDERED FINAL
UNLESS ALL SIGNATURES COMPLETED

REVISIONS						SHEET NO. 501-09
NO.	BY:	DATE:	NO.	BY:	DATE:	
1	--	--	3	--	--	TOTAL SHEETS 59
2	--	--	4	--	--	