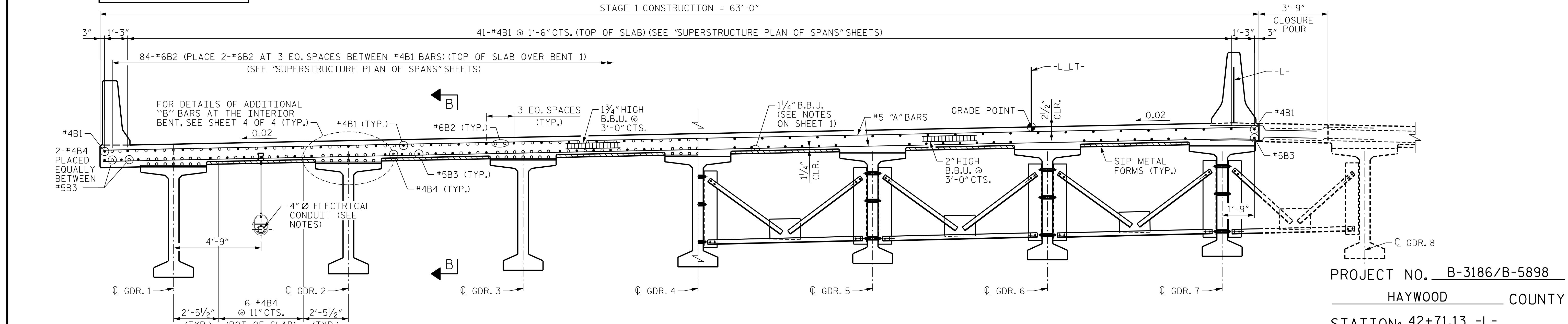


TYPICAL SECTION
SHOWING END BENT DIAPHRAGMS

NOTES
FOR SECTION A-A AND B-B, SEE SHEET 4 OF 4.
FOR ELECTRICAL CONDUIT DETAILS, SEE 'ELECTRICAL CONDUIT SYSTEM FOR SIGNALS' SHEET.



PARTIAL TYPICAL SECTION
AT BENT 1

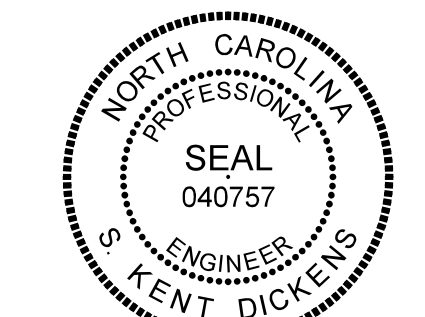
PARTIAL TYPICAL SECTION
SHOWING INTERMEDIATE DIAPHRAGMS

PROJECT NO. B-3186/B-5898
HAYWOOD COUNTY
STATION: 42+71.13 -L-

SHEET 2 OF 4

STATE OF NORTH CAROLINA
DEPARTMENT OF TRANSPORTATION
RALEIGH

SUPERSTRUCTURE
TYPICAL SECTION



Kent Dickens 1/25/2022

| REVISIONS | | | | | | SHEET NO. 501-08 TOTAL SHEETS 59 |
|-----------|-----|-------|-----|-----|-------|---|
| NO. | BY: | DATE: | NO. | BY: | DATE: | |
| 1 | -- | -- | 3 | -- | -- | TOTAL SHEETS 59 |
| 2 | -- | -- | 4 | -- | -- | |



DOCUMENT NOT CONSIDERED FINAL
UNLESS ALL SIGNATURES COMPLETED

PLOT DRIVER: NCDOT STRUCTURES DEFAULT PLOTTER.plt
 USER: PPETERSO DATE: 1/25/2022 TIME: 8:26:08 AM
 FILE: ... \401_035_B5898B3186_SMU_TS_008_430168.dgn

| | | | |
|-----------------------------|--------------------|----------------------------|--------------------|
| DES BY: <u>H. ABU NIMEH</u> | DATE: <u>05/21</u> | DWG BY: <u>B. PETERSON</u> | DATE: <u>05/21</u> |
| DES CHK: <u>K. DICKENS</u> | DATE: <u>05/21</u> | CHK BY: <u>K. DICKENS</u> | DATE: <u>06/21</u> |