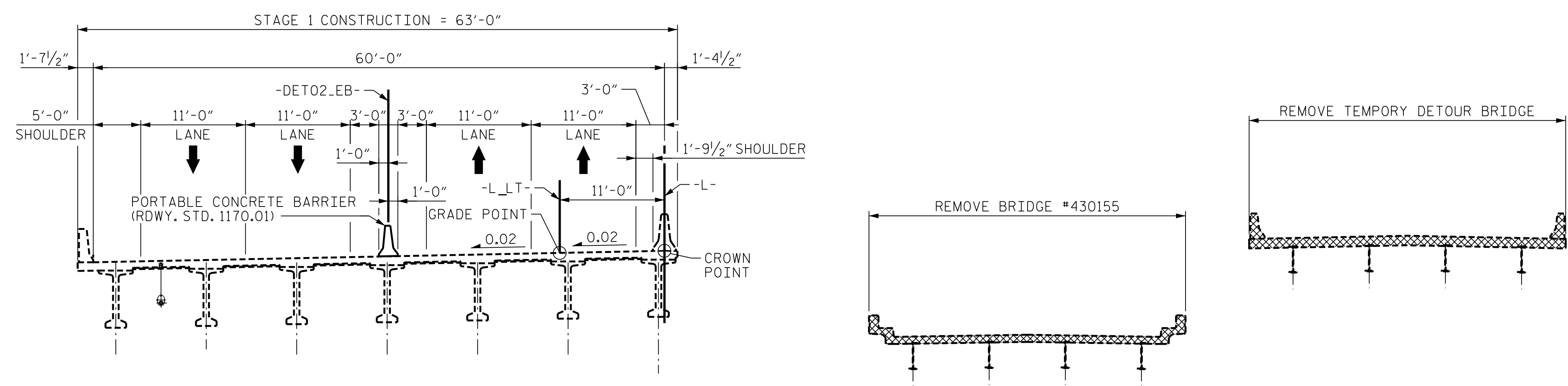
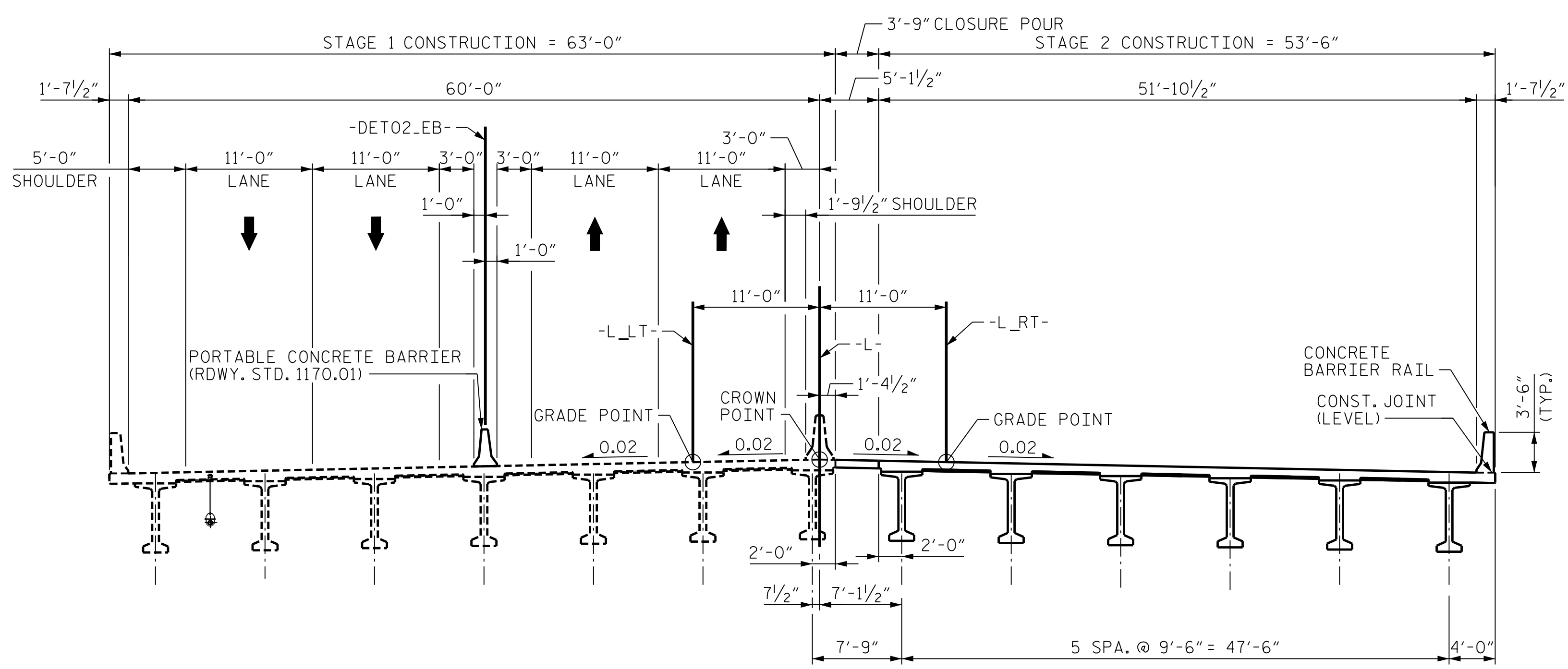


NOTES
 SEE TRAFFIC CONTROL PLANS FOR LOCATION AND PAY LIMITS OF THE PORTABLE CONCRETE BARRIER



PHASE 3 TRAFFIC
 (PLACE TEMPORARY BARRIER, WB AND EB TRAFFIC SHIFTED TO STAGE 1 CONSTRUCTION. REMOVE BRIDGE #155 AND TEMPORARY DETOUR BRIDGE.)

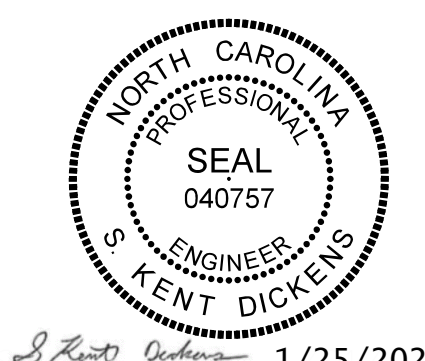


PHASE 3 TRAFFIC
 (STAGE 2 CONSTRUCTION: CONSTRUCT SUBSTRUCTURE, ERECT GIRDERS, PLACE DECK, PLACE CLOSURE, AND PLACE BARRIERS.)

PROJECT NO. B-3186/B-5898
HAYWOOD COUNTY
 STATION: 42+71.13 -L-
 SHEET 2 OF 2

STATE OF NORTH CAROLINA
 DEPARTMENT OF TRANSPORTATION
 RALEIGH

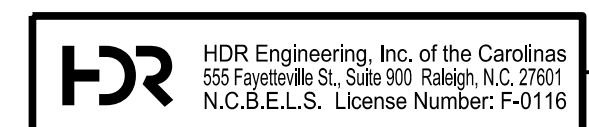
SUPERSTRUCTURE CONSTRUCTION SEQUENCE



Kent Dickens 1/25/2022

PLOT DRIVER: NCDOT_STRUCTURE_DEFAULT_PLOTTER.plt PENTABLE: NCDOT_STRUCTURE_DEFAULT_PEN.tbl
 USER: PETERSO DATE: 1/25/2022 TIME: 8:25:22 AM
 FILE: ... \401_025_B5898B3186_SMU_PC_006_430168.dgn

DES BY: <u>H. ABU NIMEH</u>	DATE: <u>05/21</u>	DWG BY: <u>D. CARTER</u>	DATE: <u>03/21</u>
DES CHK: <u>K. DICKENS</u>	DATE: <u>06/21</u>	CHK BY: <u>K. DICKENS</u>	DATE: <u>06/21</u>



DOCUMENT NOT CONSIDERED FINAL UNLESS ALL SIGNATURES COMPLETED

REVISIONS						SHEET NO. 501-06	
NO.	BY:	DATE:	NO.	BY:	DATE:	TOTAL SHEETS 59	
1			3				
2			4				