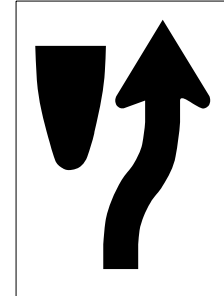


REVISIONS

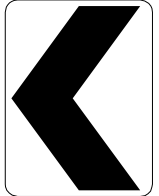
401 QUANTITY REQ'D   1  



24 X 30  
R4-7

ONE "U" POST

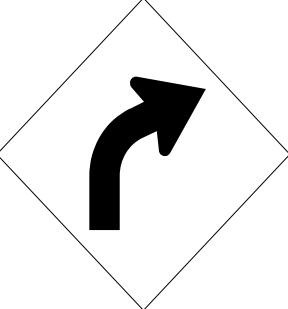
406 QUANTITY REQ'D   3  



30 X 36  
W1-8

ONE "U" POST PER SIGN


411 QUANTITY REQ'D   1  



36 X 36  
W1-2R

ONE "U" POST

416 QUANTITY REQ'D   2  



36 X 36  
W3-5

ONE "U" POST PER SIGN


417 QUANTITY REQ'D   2  



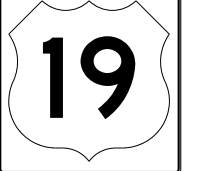
36 X 36  
R1-1

ONE "U" POST PER SIGN


501 502



1-36" X 18"



1-36" X 36"

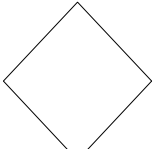


1-21" X 15"

ONE "U" POST PER SIGN

PROJECT REFERENCE NO. B-3186 / B-5898	SHEET NO. SIGN-3
SIGNING ENGINEER	
	
<b>DOCUMENT NOT CONSIDERED FINAL UNLESS ALL SIGNATURES COMPLETED</b>	
 HDR Engineering, Inc. of the Carolinas 555 Fayetteville St. Suite 900 Raleigh, N.C. 27601 N.C.B.E.L.S. License Number: F-0116	

402 QUANTITY REQ'D   1  



18 X 18  
OM1-3

MOUNT BELOW SIGN 401  
IN   1   INSTALLATION


407 QUANTITY REQ'D   2  



36 X 36  
R5-1

ONE "U" POST PER SIGN

412 QUANTITY REQ'D   1  



24 X 24  
W13-1P

MOUNT BELOW SIGN 411  
IN   1   INSTALLATION

413 QUANTITY REQ'D   1  



36 X 48  
W13-2

TWO "U" POSTS


418 QUANTITY REQ'D   1  




36 X 48  
R3-2B

ONE "U" POSTS

503




2-36" X 18"




2-36" X 36"

TWO "U" POSTS


504 505



1-36" X 18"



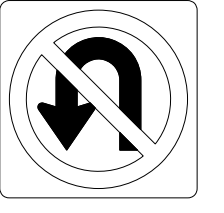
1-36" X 36"



1-21" X 15"

ONE "U" POST PER SIGN


403 QUANTITY REQ'D   1  



36 X 36  
R3-4

MOUNT BELOW SIGN 418  
IN   1   INSTALLATION


408 QUANTITY REQ'D   1  



54 X 18  
R6-1 (L)

TWO "U" POSTS


409 QUANTITY REQ'D   2  



30 X 36  
R2-1

ONE "U" POST PER SIGN

414 QUANTITY REQ'D   2  



30 X 30  
W11-2

YELLOW/GREEN REFLECTIVE SHEETING

ONE "U" POST PER SIGN

415 QUANTITY REQ'D   2  

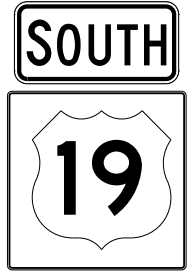


24 X 12  
W16-7

YELLOW/GREEN REFLECTIVE SHEETING

MOUNT BELOW SIGN 414  
IN   2   INSTALLATIONS

506



1-36" X 18"

1-36" X 36"

ONE "U" POST

506

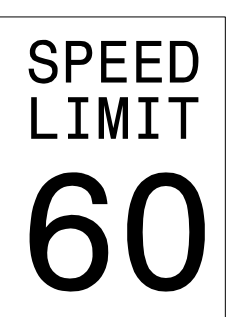


48" height

BORDER  
R=1.5" 2.75" TH=0.5"

ONE "U" POST PER SIGN

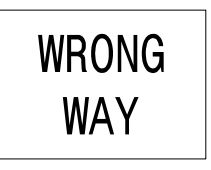
404 QUANTITY REQ'D   1  



48 X 60  
R2-1

TWO "U" POSTS PER SIGN

410 QUANTITY REQ'D   2  



36 X 24  
R5-1a

ONE "U" POST PER SIGN

**TYPE "E", "F"  
& MILEMARKER SIGNS**