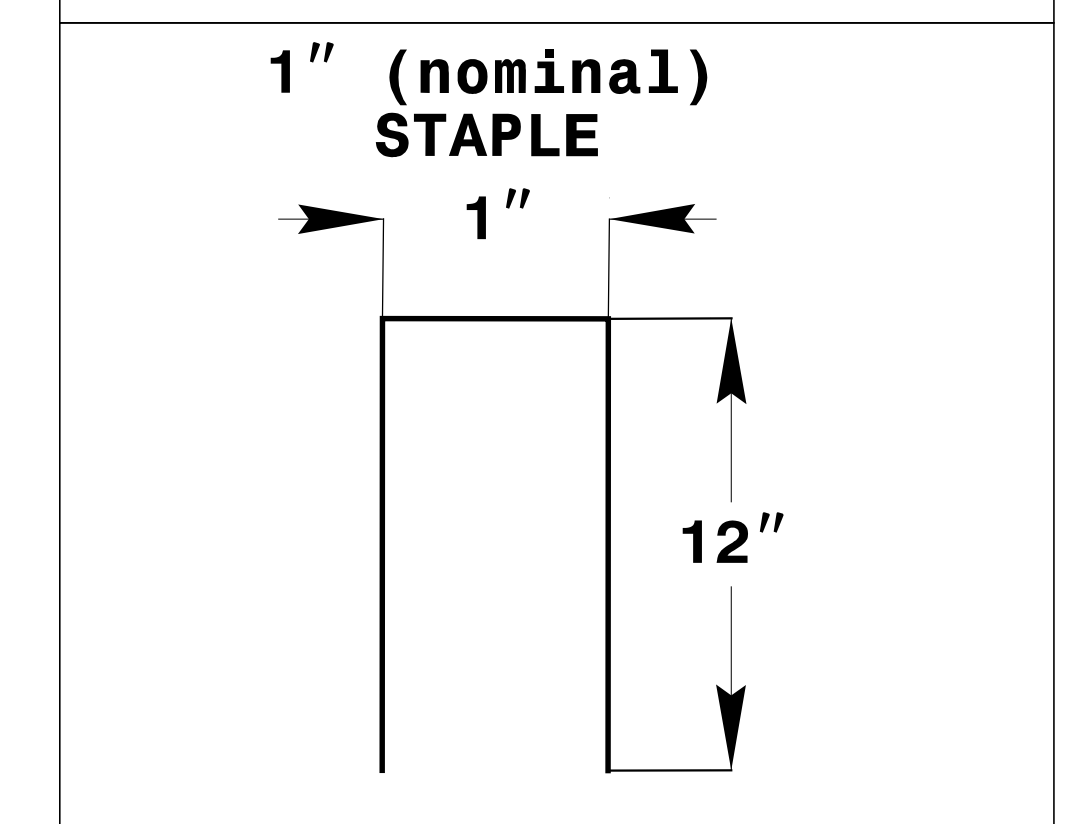
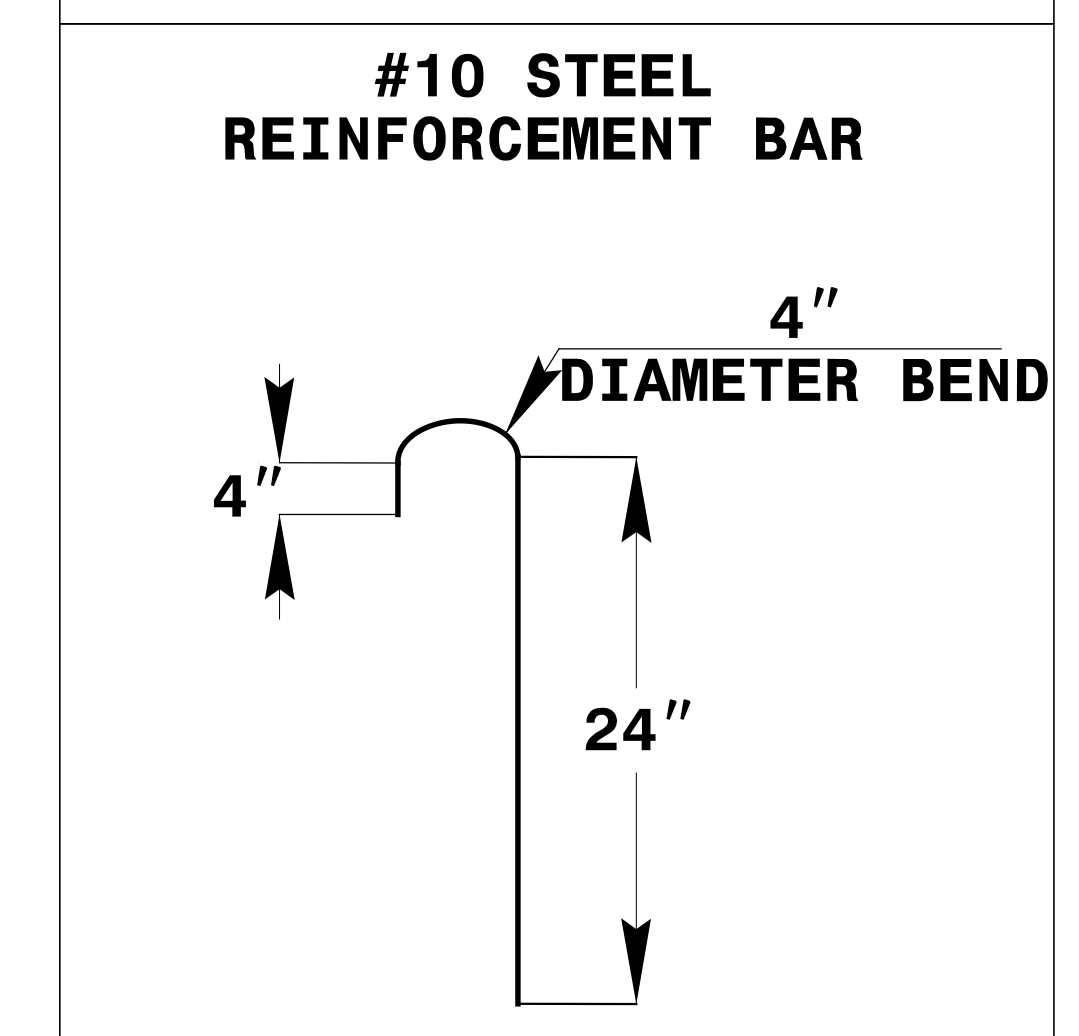
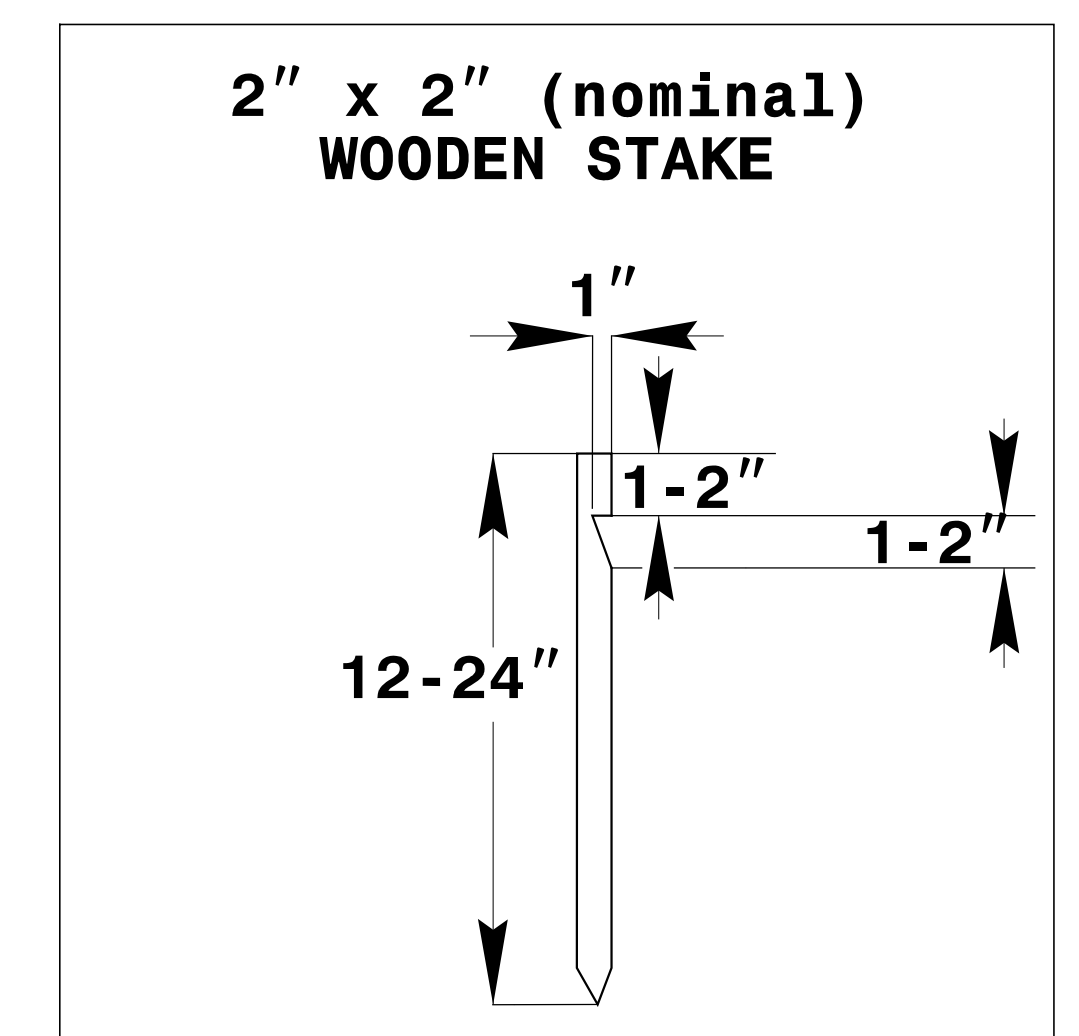
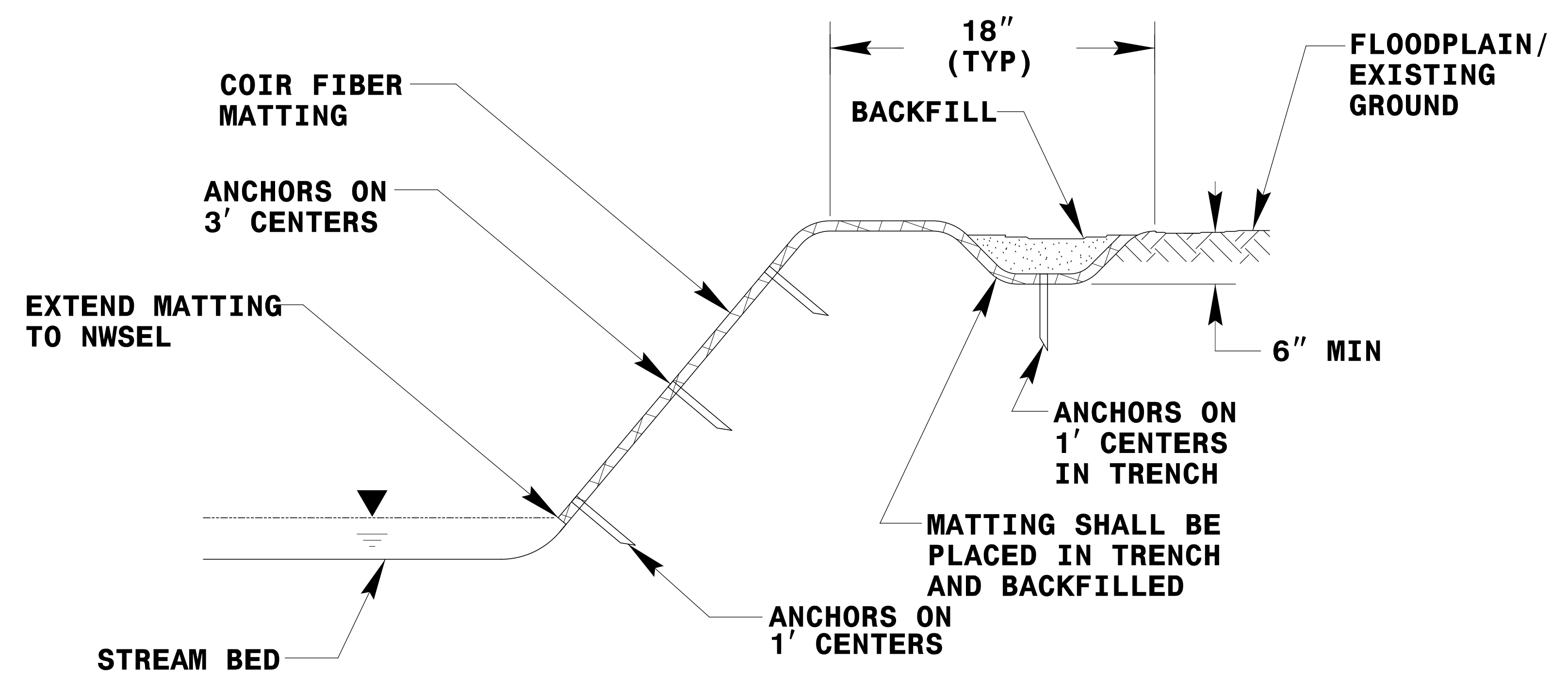
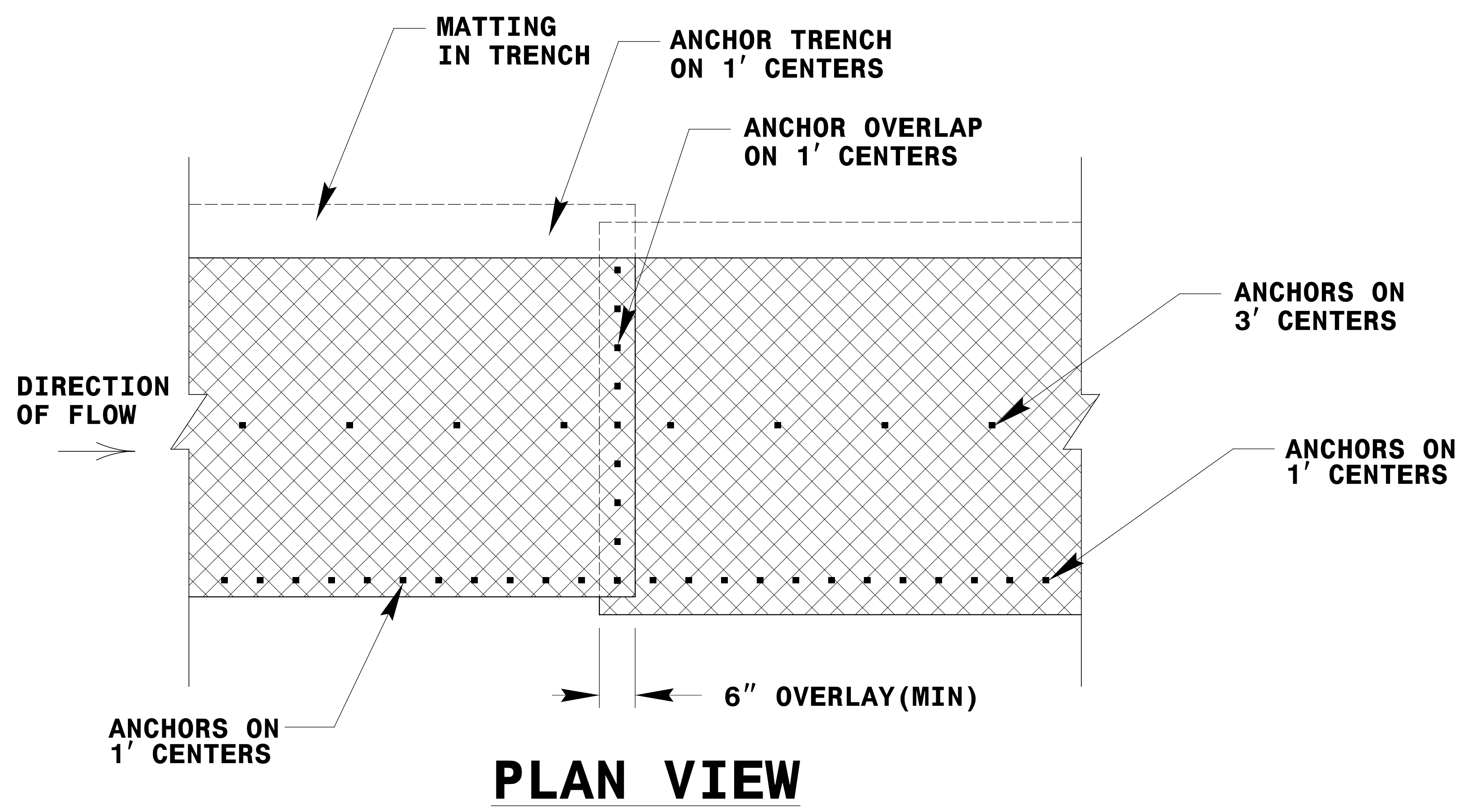


PROJECT REFERENCE NO. B-3186 /B-5898	SHEET NO. RF-3
RW SHEET NO.	
ROADWAY DESIGN ENGINEER	HYDRAULICS ENGINEER



ANCHOR OPTIONS

COIR FIBER MATTING DETAIL

NOT TO SCALE