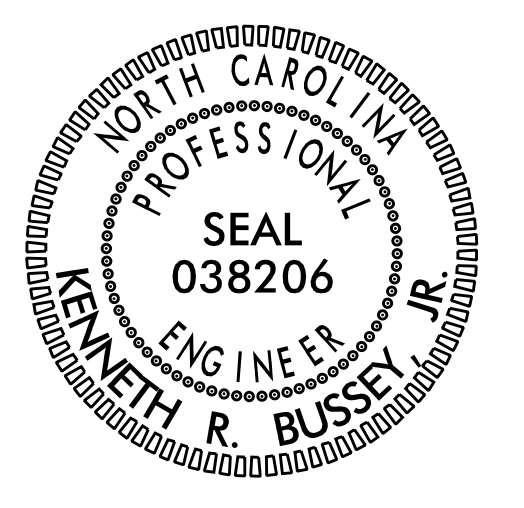


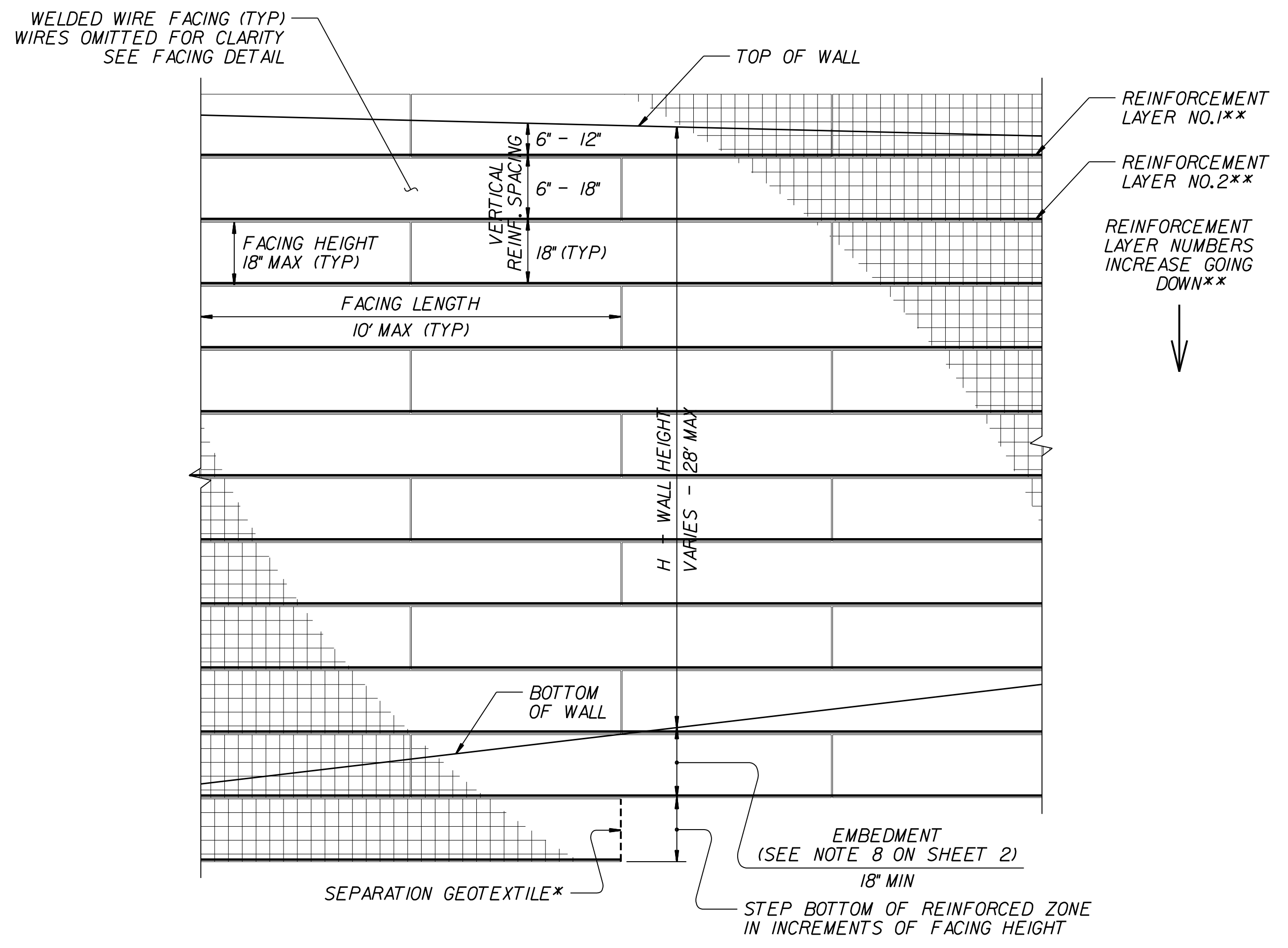
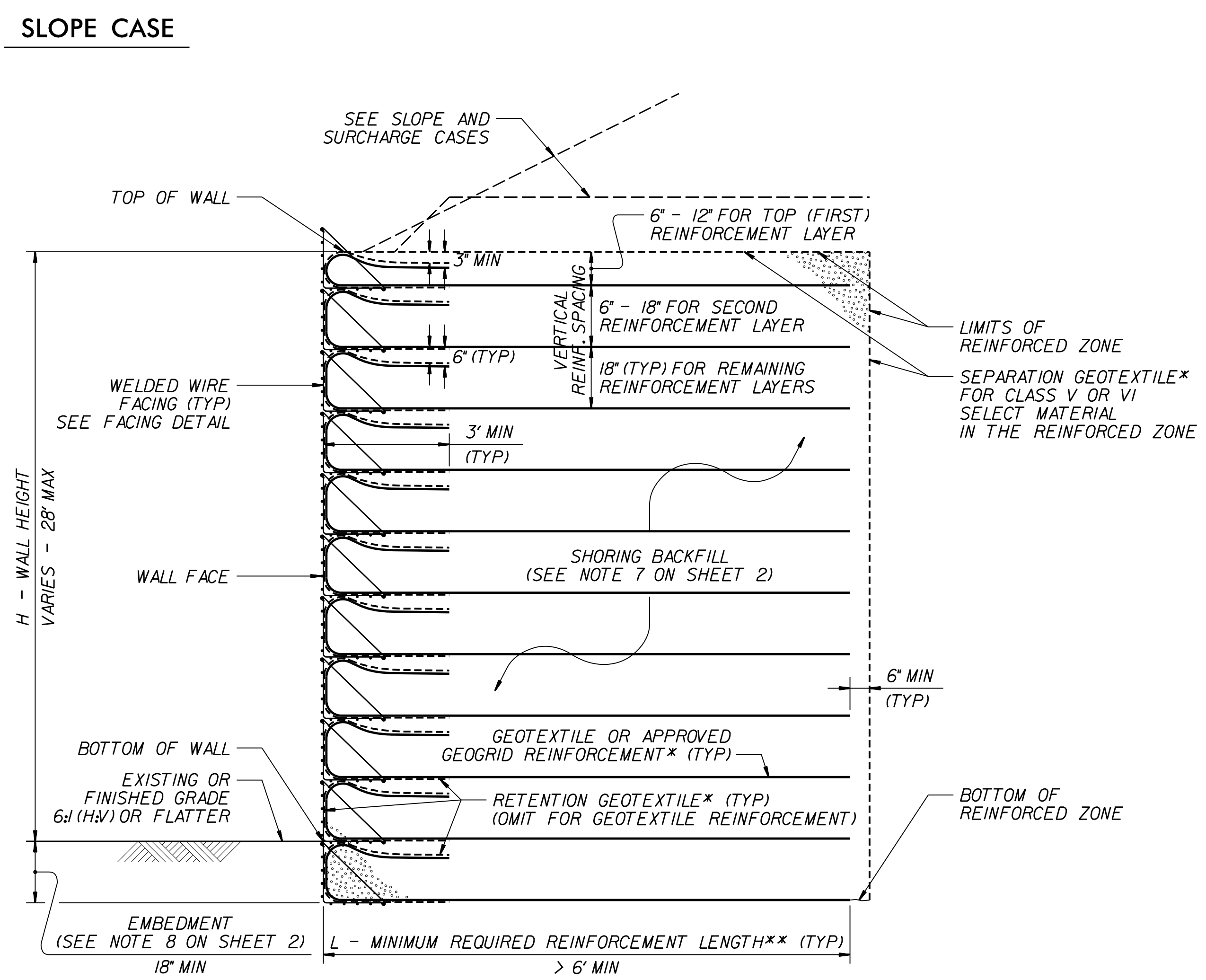
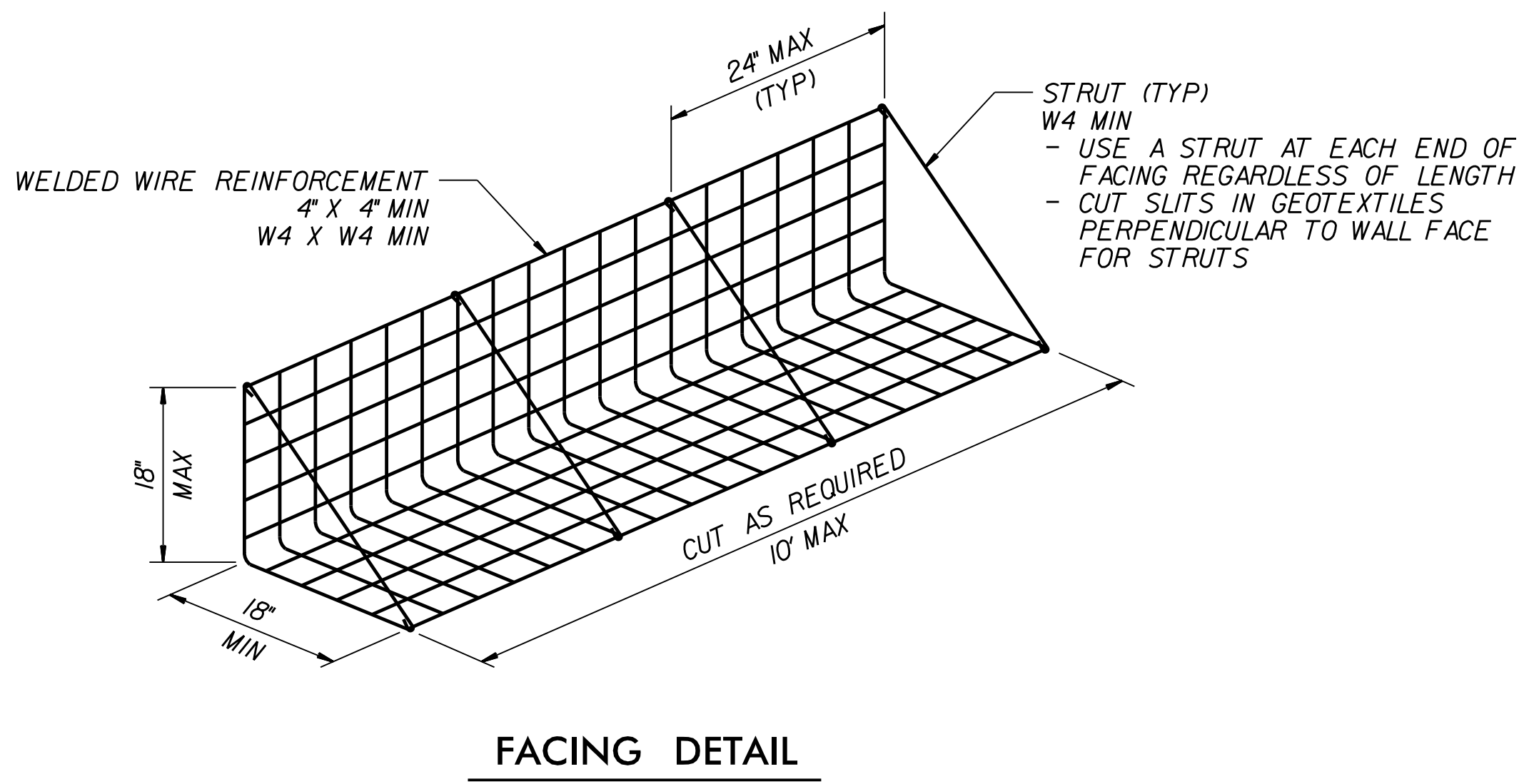
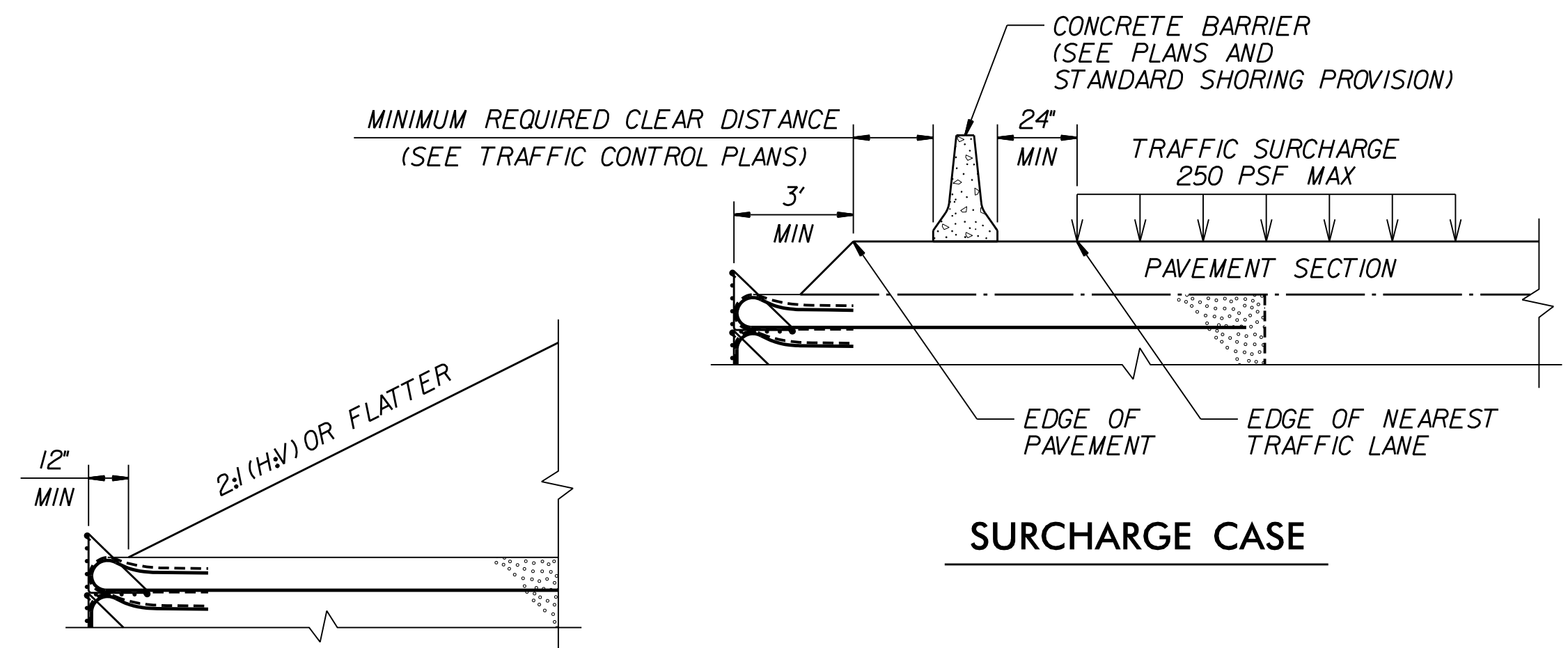
GEOTECHNICAL ENGINEER



Kenneth R. Bussey, Jr.  
SIGNATURE DATE 3/31/2022

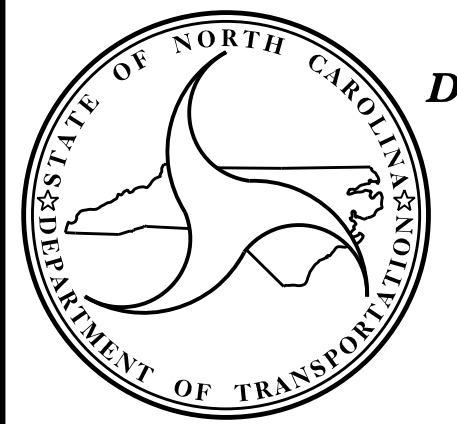
**DOCUMENT NOT CONSIDERED FINAL UNLESS ALL SIGNATURES COMPLETED**

HDR Engineering, Inc. of the Carolinas  
555 Fayetteville St., Suite 900, Raleigh, N.C. 27601  
N.C.B.E.L.S. License Number: F-0116



PLOT DRIVER: NCDOT\_pdf\_color\_eng\_50.plt  
 USER: ASNIDER  
 FILE: \

REVISIONS



**NORTH CAROLINA DEPARTMENT OF TRANSPORTATION DIVISION OF HIGHWAYS**

**GEOTECHNICAL ENGINEERING UNIT**

STANDARD DETAIL NO. 1801.02

**STANDARD TEMPORARY WALL SHEET 1 OF 3**

DATE: 11-19-13