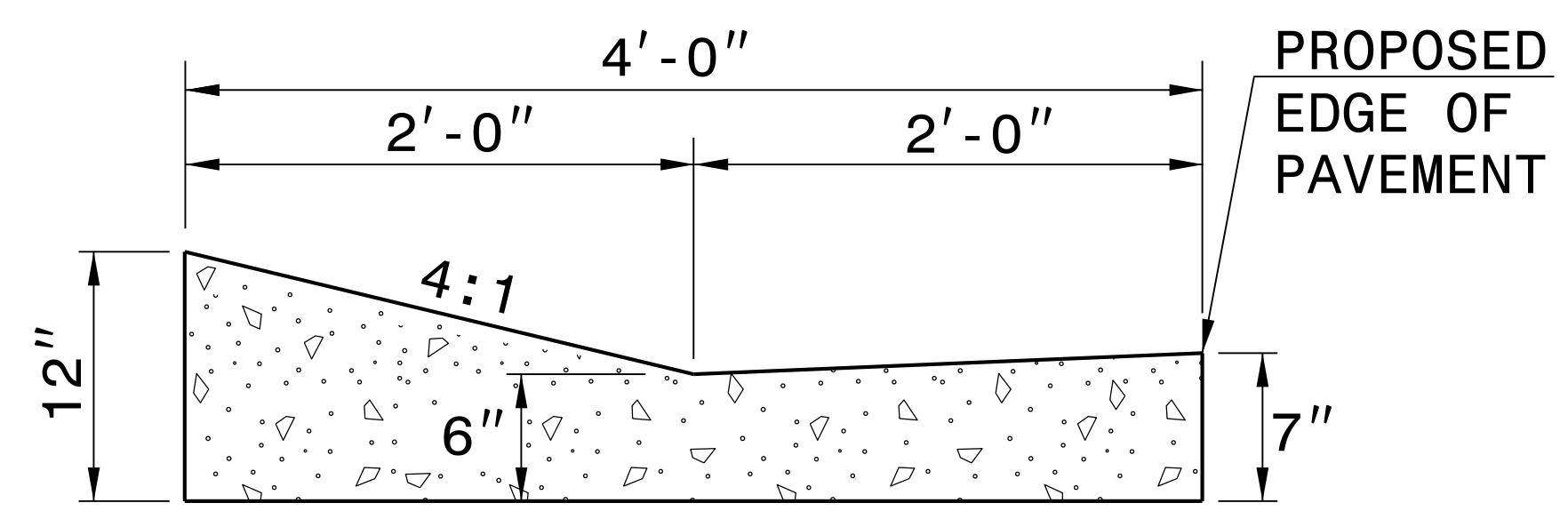


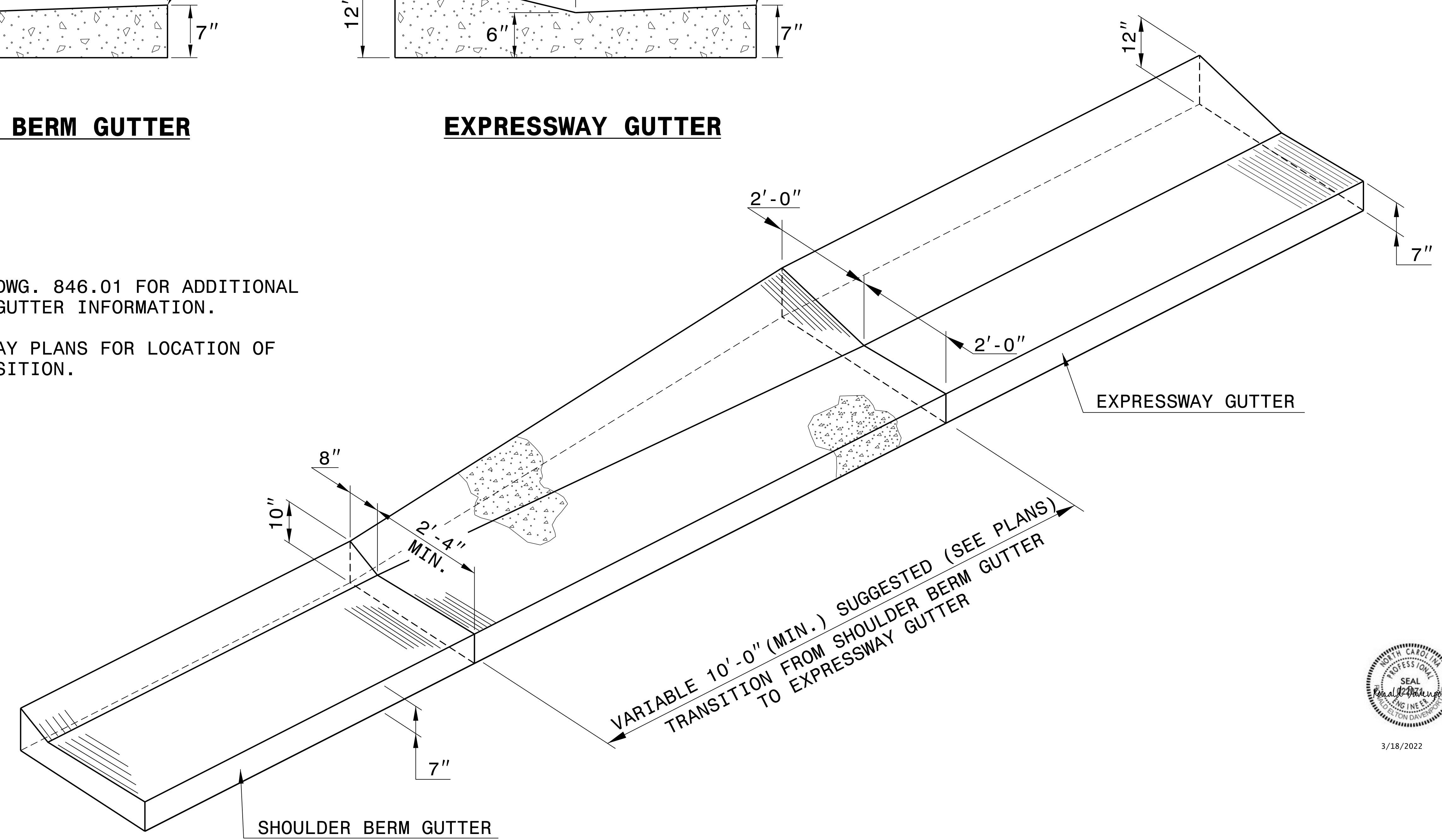
SHOULDER BERM GUTTER



EXPRESSWAY GUTTER

NOTE: SEE STD. DWG. 846.01 FOR ADDITIONAL CURB AND GUTTER INFORMATION.

SEE ROADWAY PLANS FOR LOCATION OF CURB TRANSITION.



ISOMETRIC VIEW OF TRANSITION



3/18/2022

DOCUMENT NOT CONSIDERED FINAL UNLESS ALL SIGNATURES COMPLETED

CONTRACT STANDARDS AND DEVELOPMENT UNIT	
Office 919-707-6950 FAX 919-250-4119	
DETAIL OF SHOULDER BERM GUTTER TO EXPRESSWAY GUTTER TRANSITION SECTION	
ORIGINAL BY: T.S. Spell	DATE: 8-13-02
MODIFIED BY:	DATE:
CHECKED BY:	DATE:
FILE SPEC.: w:usr/details/stand/cgtransit.dgn	

04-JUN-2019 10:25
 S:\Contracts\ContractStandards\stand\c&g transition sections.dgn
 Jhowerton AT USD-292595

5/14/99