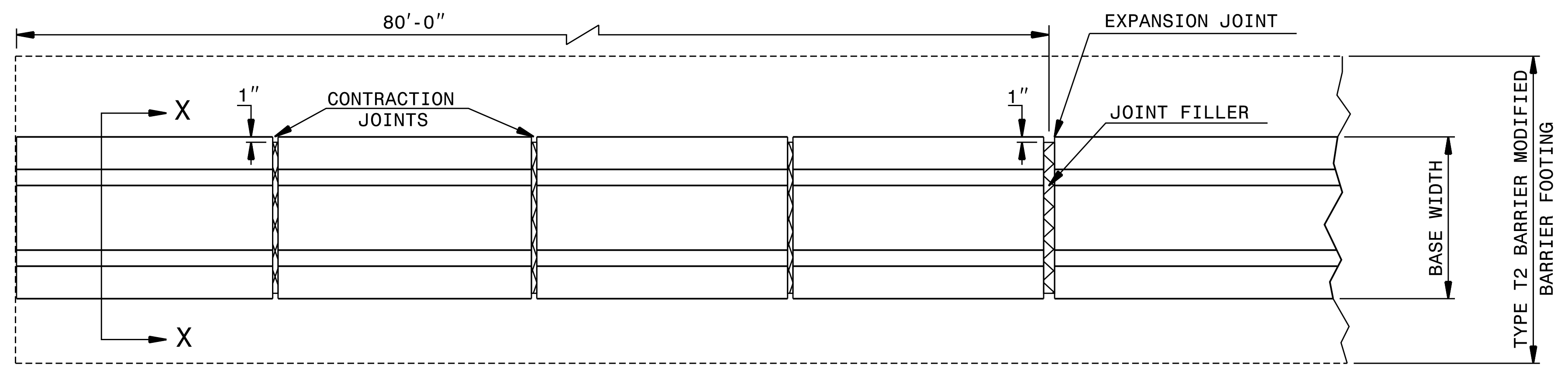


PROJECT REFERENCE NO. B-3186 / B-5898		SHEET NO. 2B-21	
RW SHEET NO.			
ROADWAY DESIGN ENGINEER		STRUCTURES ENGINEER	
DOCUMENT NOT CONSIDERED FINAL UNLESS ALL SIGNATURES COMPLETED			
HDR Engineering, Inc. of the Carolinas 555 Fayetteville St. Suite 900 Raleigh, N.C. 27601 N.C.B.E.L.S. License Number: F-0116			

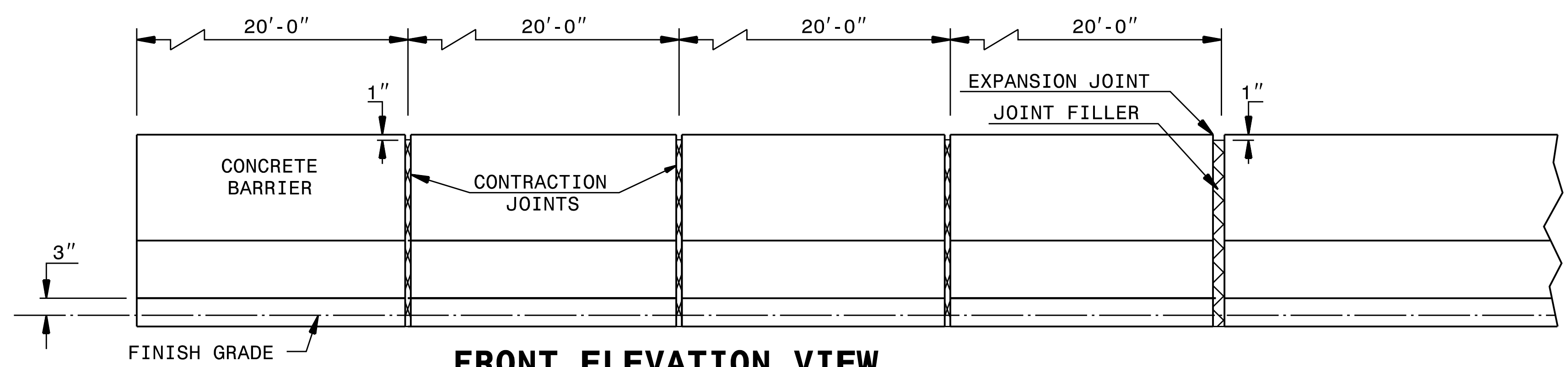
STATE OF NORTH CAROLINA
 DEPT. OF TRANSPORTATION
 DIVISION OF HIGHWAYS
 RALEIGH, N.C.

ROADWAY STANDARD DRAWING FOR
DOUBLE FACED CONCRETE BARRIER
 TYPE T2 BARRIER MODIFIED

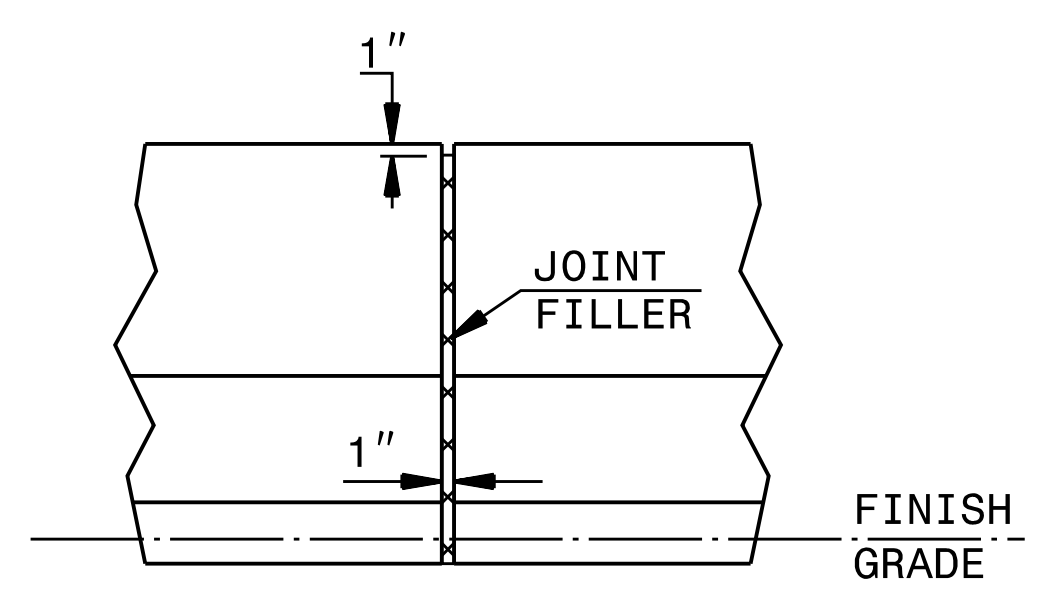
SHEET 2 OF 3
854.02



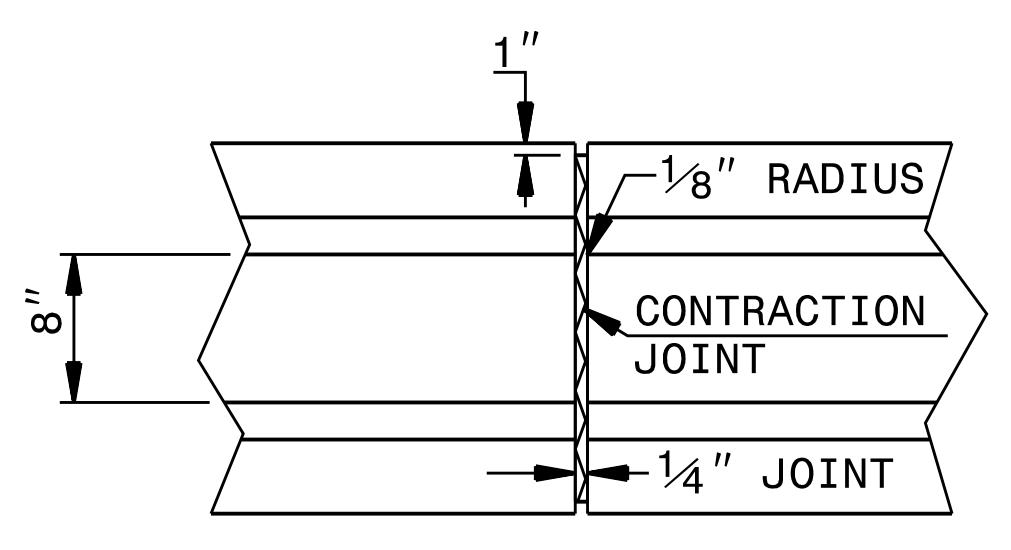
TOP PLAN VIEW



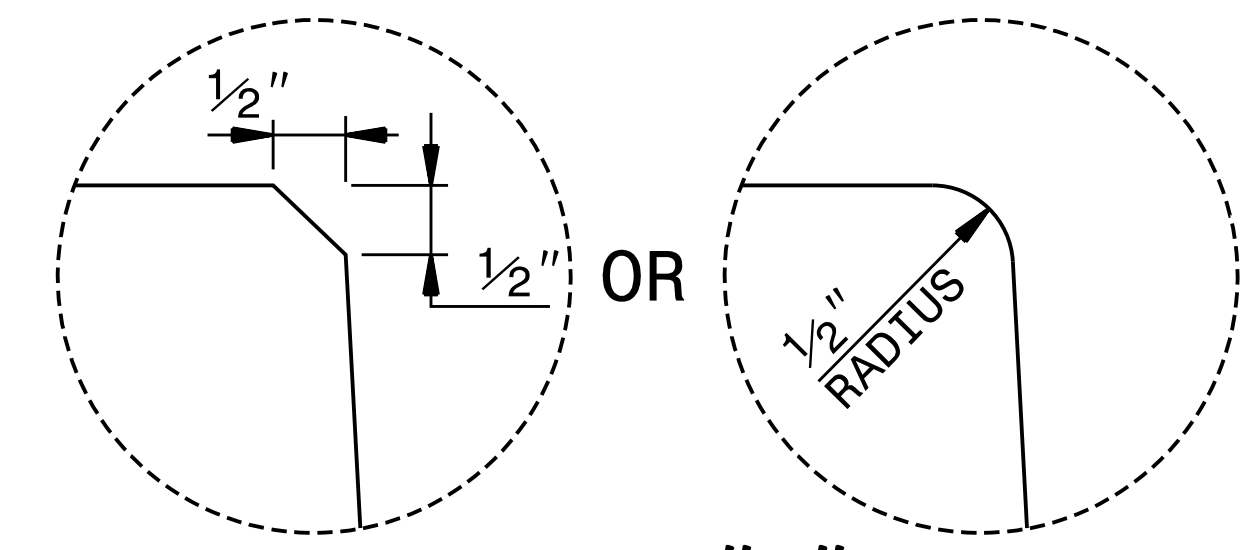
FRONT ELEVATION VIEW



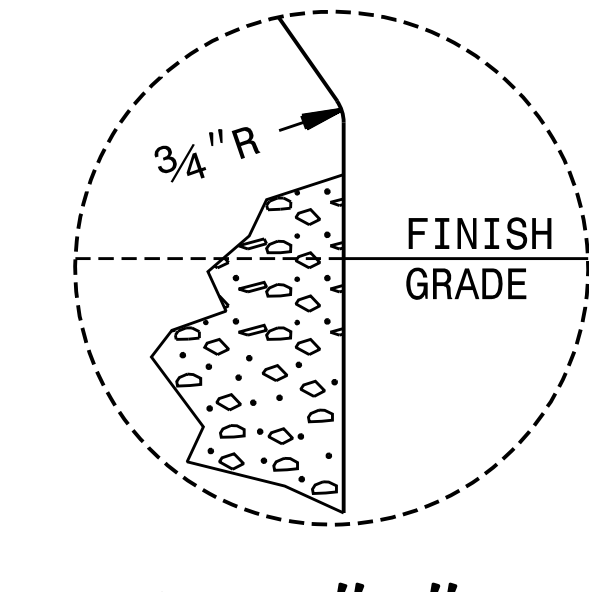
EXPANSION JOINT
PARTIAL ELEVATION VIEW



CONTRACTION JOINT
PARTIAL PLAN VIEW



INSET "A"
SHOWING RADII AND BEVEL



INSET "B"
SHOWING RADII

NOTES:
 SEE SHEET 1 FOR GENERAL NOTES.
 SEE SHEET 3 FOR STEEL LAYOUT OF BARRIER.

STATE OF NORTH CAROLINA
 DEPT. OF TRANSPORTATION
 DIVISION OF HIGHWAYS
 RALEIGH, N.C.

ROADWAY STANDARD DRAWING FOR
DOUBLE FACED CONCRETE BARRIER
 TYPE T2 BARRIER MODIFIED

SHEET 2 OF 3
854.02

PLOT DRIVER: NCDOT_pdf_color_eng_50.plt
 USER: HBARE
 FILE: NCDOT\NCDOT\B3186_T02.c. \6.0.CAD.BITM\6.2.Work.In.Progress\B-3186-B-5898\Roadway\Pro\B3186-B5898-RDY_PSH02B-21.dgn
 DATE: 2/9/2022
 TIME: 8:31:52 AM
 PENTABLE: NCDOT_pshpfl.tbl