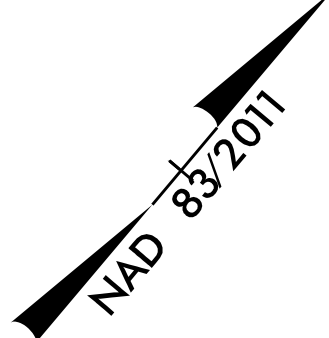
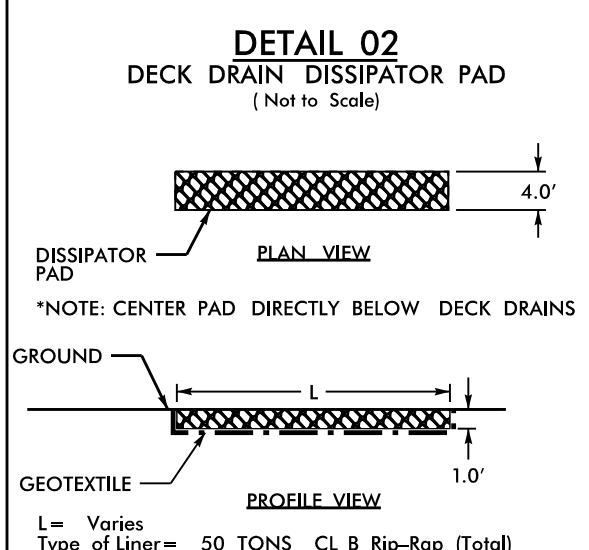


PROJECT REFERENCE NO. B-3186 / B-5898	SHEET NO. 2B-4
RW SHEET NO.	
ROADWAY DESIGN ENGINEER	HYDRAULICS ENGINEER
DOCUMENT NOT CONSIDERED FINAL UNLESS ALL SIGNATURES COMPLETED	
HDR Engineering, Inc. of the Carolinas 555 Fayetteville St, Suite 900 Raleigh, N.C. 27601 N.C.B.E.L.S. License Number: F-0116	



-DETO1_WB-

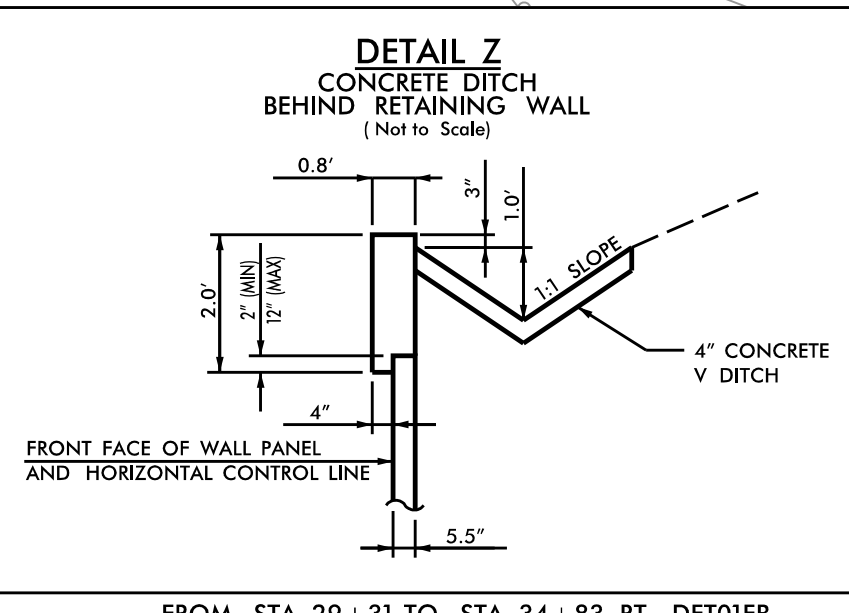
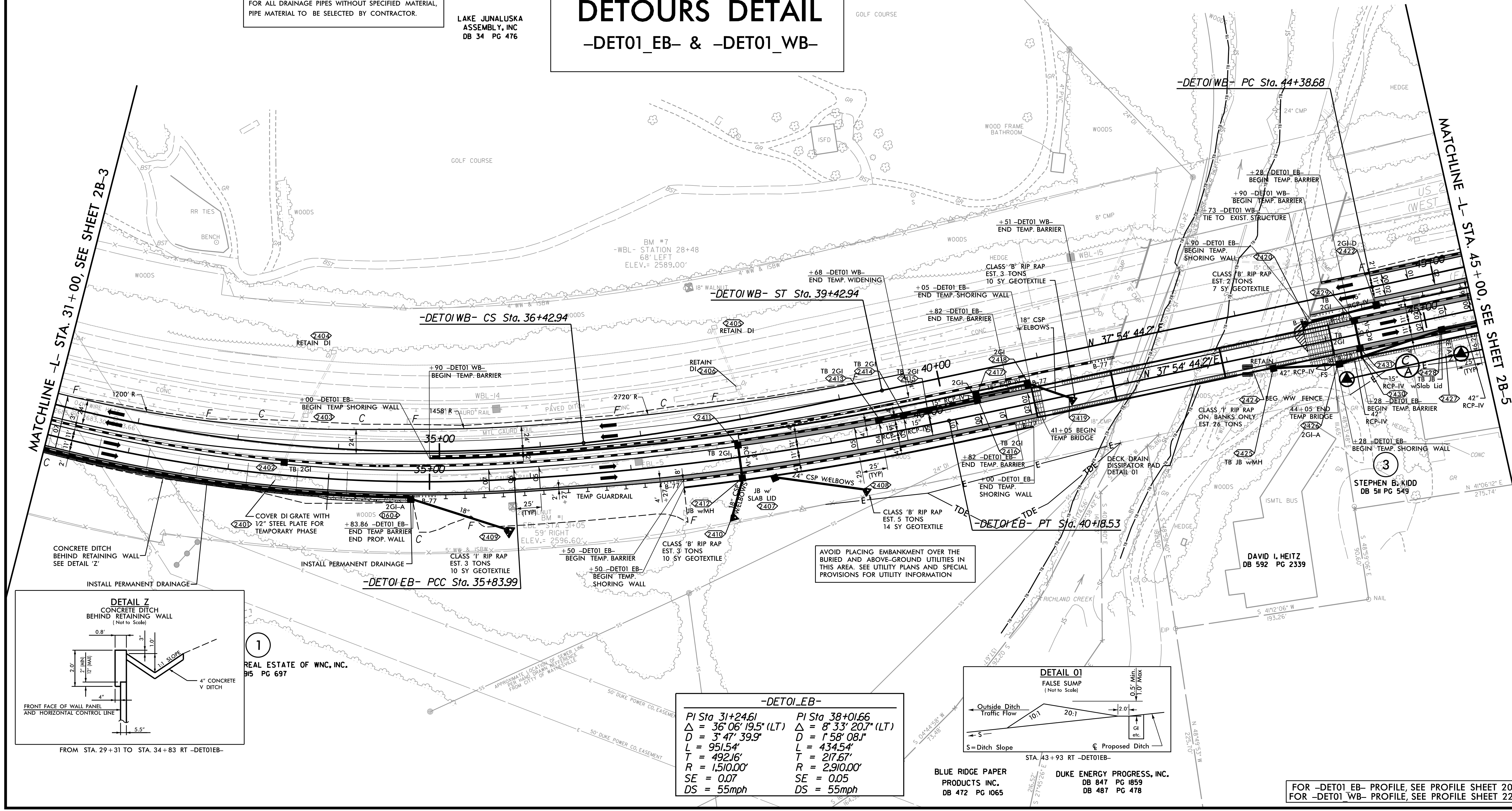
PI Sta 32+32.09	PIs Sta 37+43.04	PI Sta 46+08.64
$\Delta = 32^{\circ} 58' 05.3''$ (LT)	$\Delta = 5^{\circ} 50' 47.4''$	$\Delta = 2^{\circ} 43' 24.8''$ (LT)
$D = 3^{\circ} 53' 51.6''$	$Ls = 300.00'$	$D = 0^{\circ} 48' 04.8''$
$L = 845.84'$	$LT = 200.11'$	$L = 339.87'$
$T = 434.99'$	$ST = 100.10'$	$T = 169.97'$
$R = 1,470.00'$		$R = 7,150.00'$
$SE = EX.$		$SE = 0.02$
		$DS = 55mph$

NOTES:
RETAIN ALL EXISTING PIPES UNLESS OTHERWISE NOTED.
FOR ALL DRAINAGE PIPES WITHOUT SPECIFIED MATERIAL,
PIPE MATERIAL TO BE SELECTED BY CONTRACTOR.

LAKE JUNALUSKA
ASSEMBLY, INC
DB 34 PG 476

DETOURS DETAIL

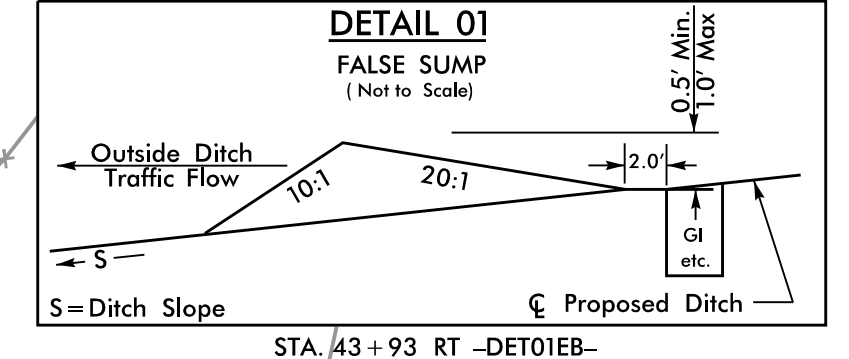
-DETO1_EB- & -DETO1_WB-



1
REAL ESTATE OF WNC, INC.
915 PG 697

-DETO1_EB-

PI Sta 31+24.61	PI Sta 38+01.66
$\Delta = 36^{\circ} 06' 19.5''$ (LT)	$\Delta = 8^{\circ} 33' 20.7''$ (LT)
$D = 3^{\circ} 47' 39.9''$	$D = 1^{\circ} 58' 08.1''$
$L = 951.54'$	$L = 434.54'$
$T = 492.16'$	$T = 217.67'$
$R = 1,510.00'$	$R = 2,910.00'$
$SE = 0.07$	$SE = 0.05$
$DS = 55mph$	$DS = 55mph$



BLUE RIDGE PAPER PRODUCTS INC. DB 472 PG 1065
DUKE ENERGY PROGRESS, INC. DB 847 PG 1859 DB 487 PG 478

FOR -DETO1_EB- PROFILE, SEE PROFILE SHEET 20
FOR -DETO1_WB- PROFILE, SEE PROFILE SHEET 22

PLOT DRIVER: NCDOT_pdf_color_eng_50.plt
USER: HBARE
DATE: 1/13/2022
TIME: 6:55:46 AM
FILE: \