
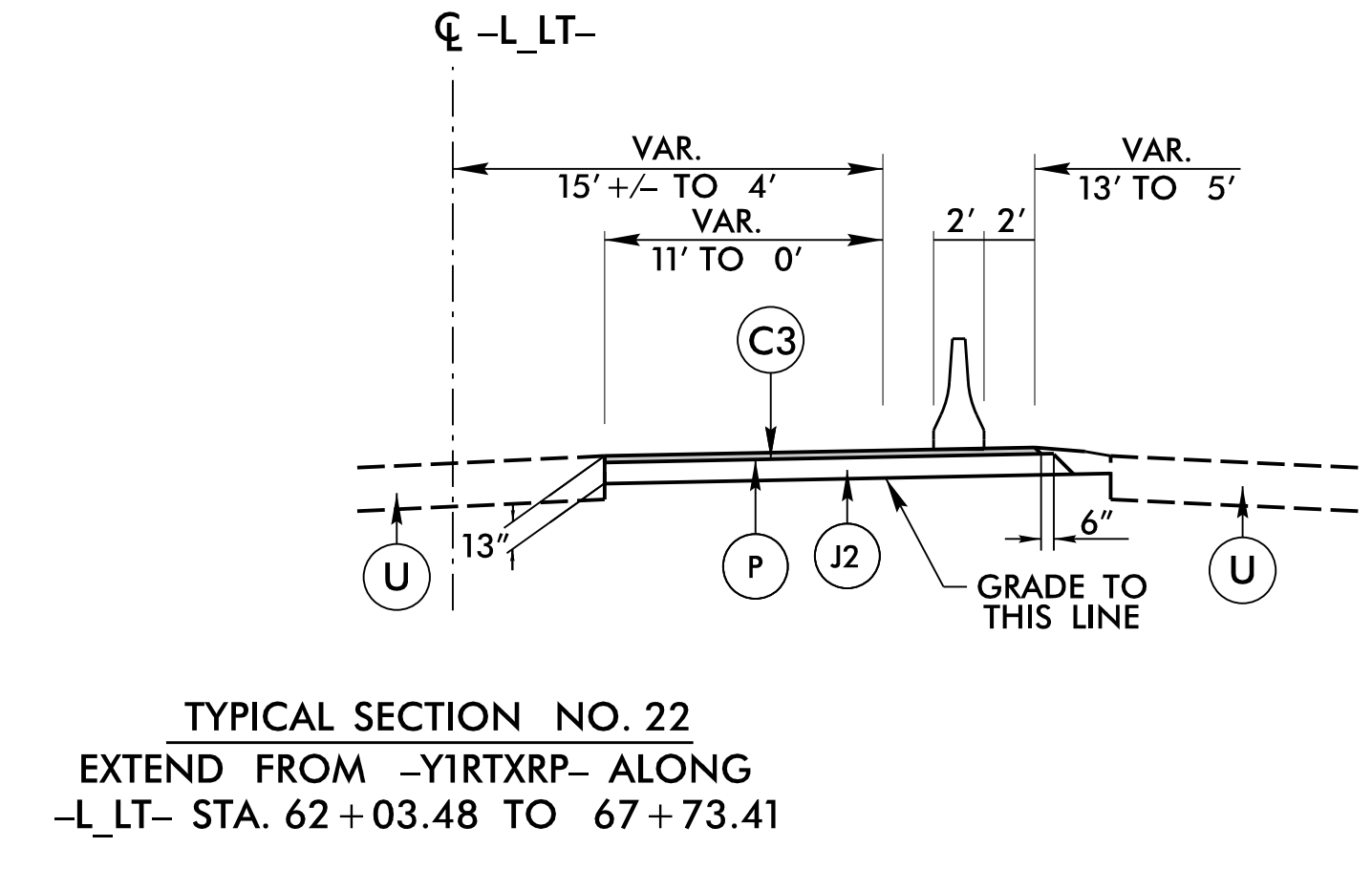
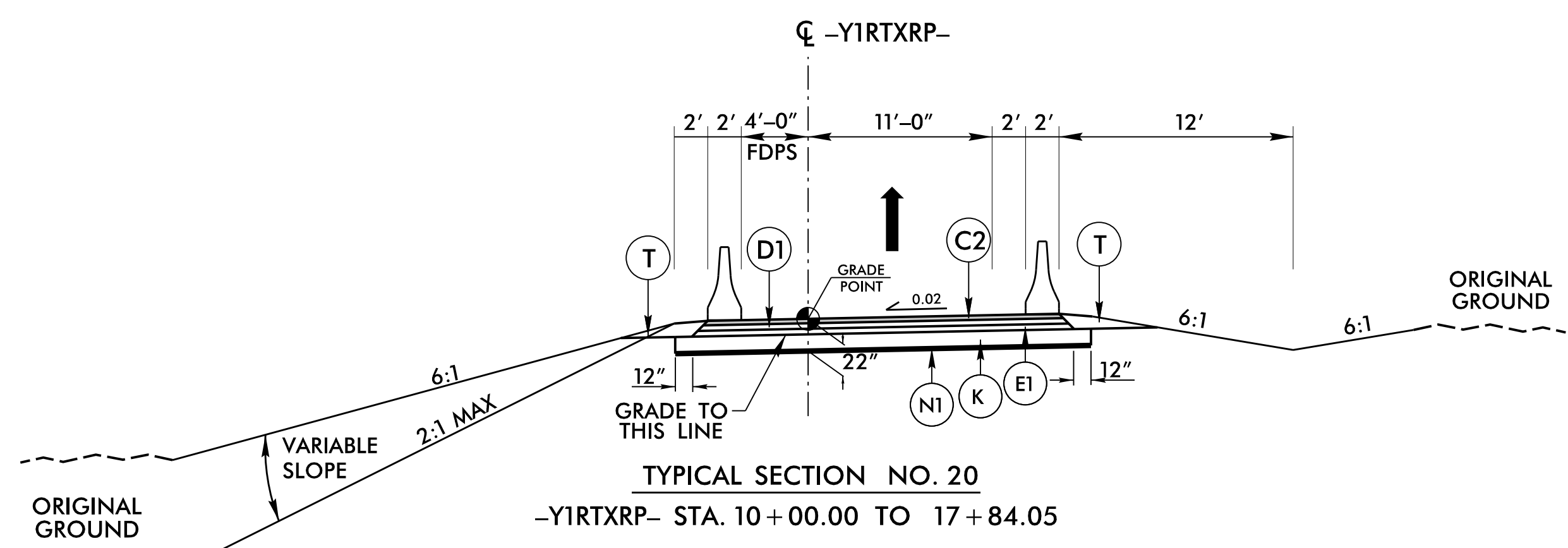
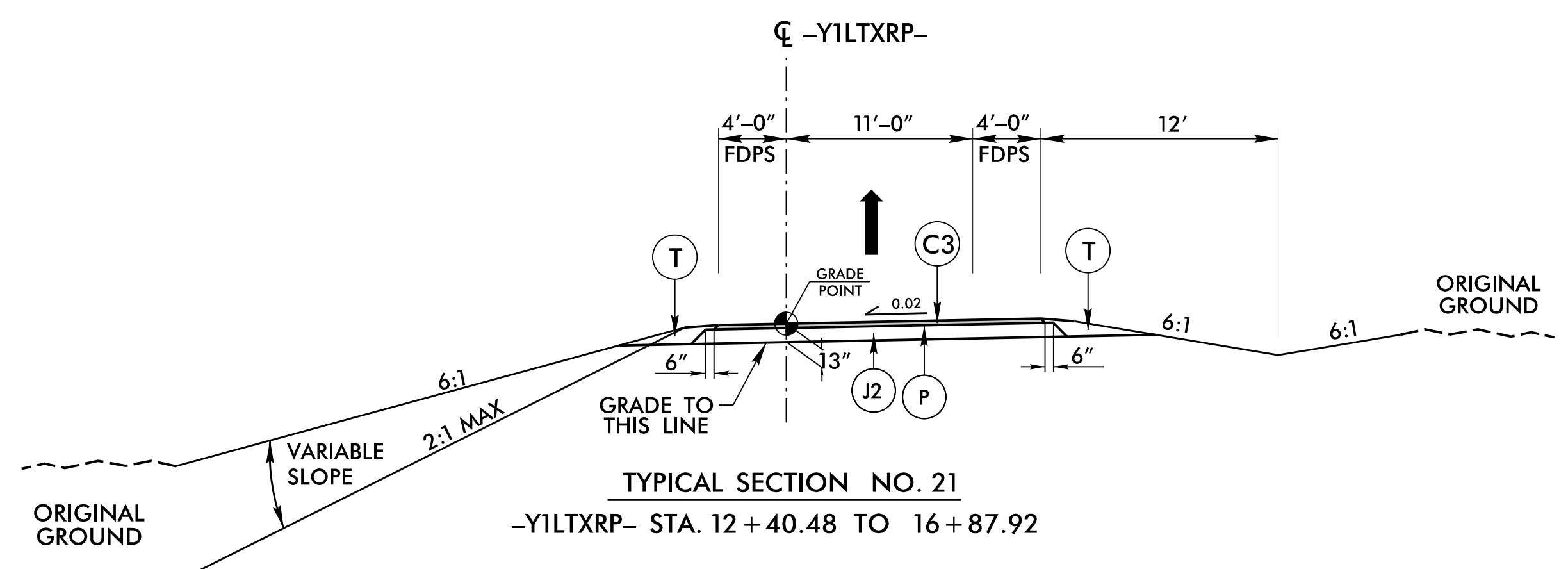
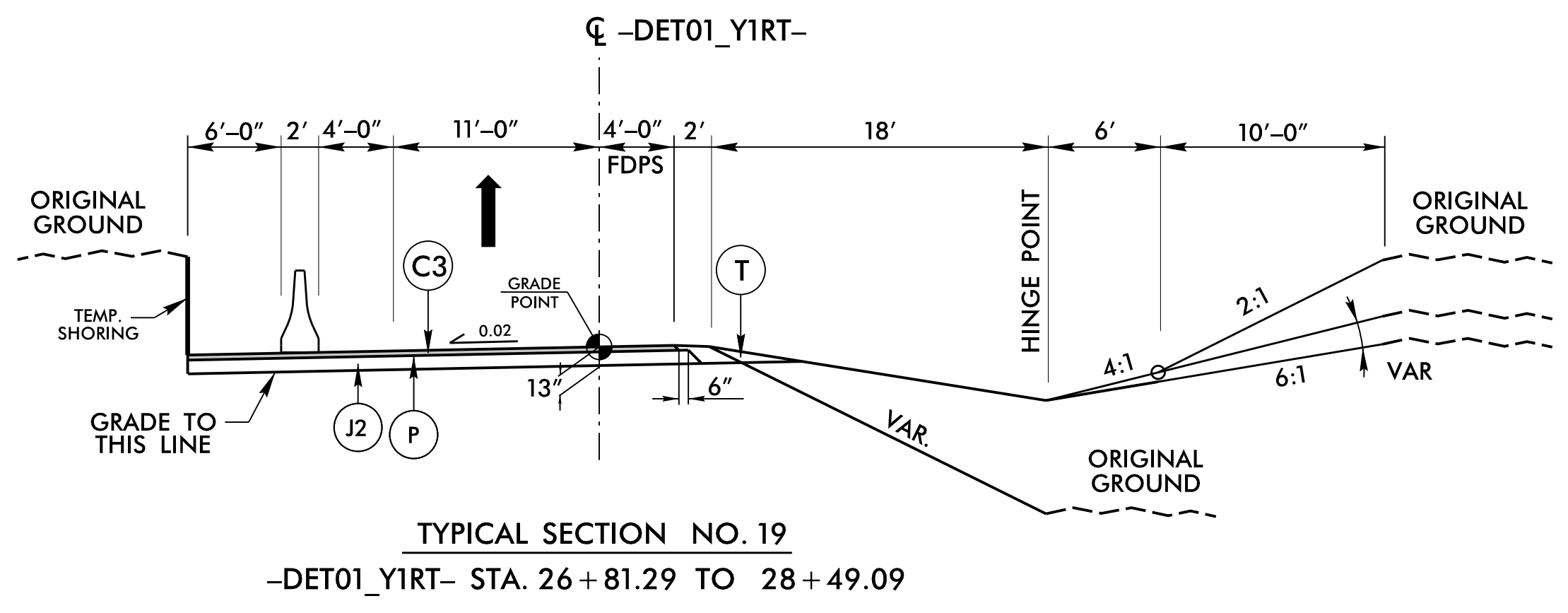
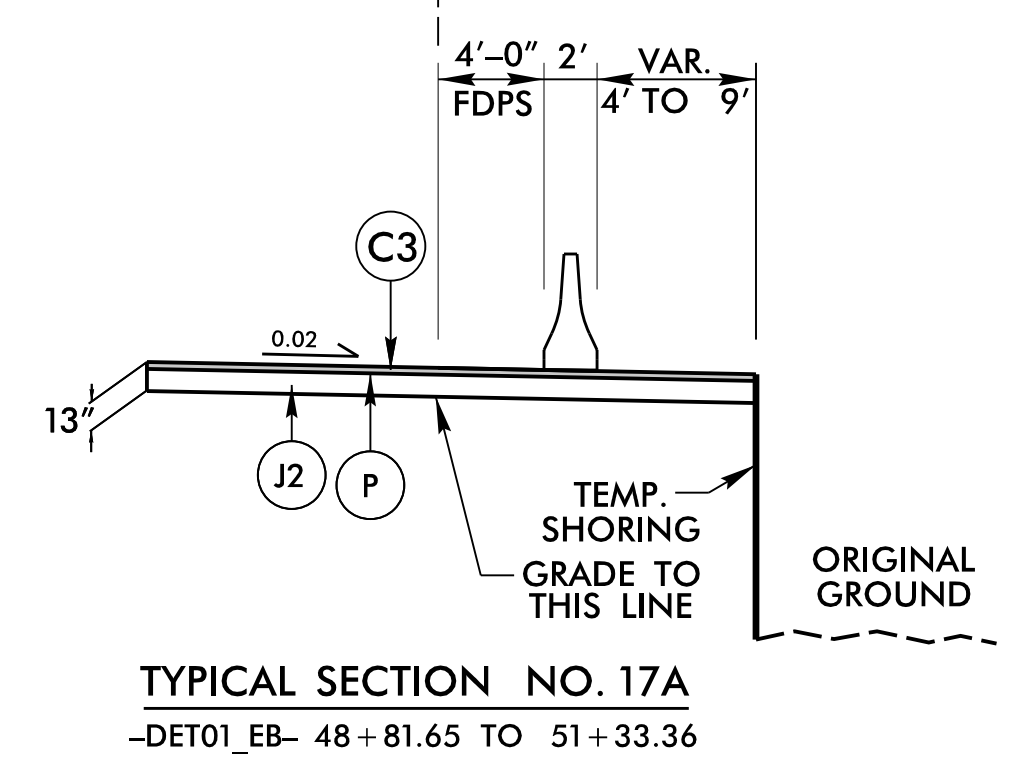
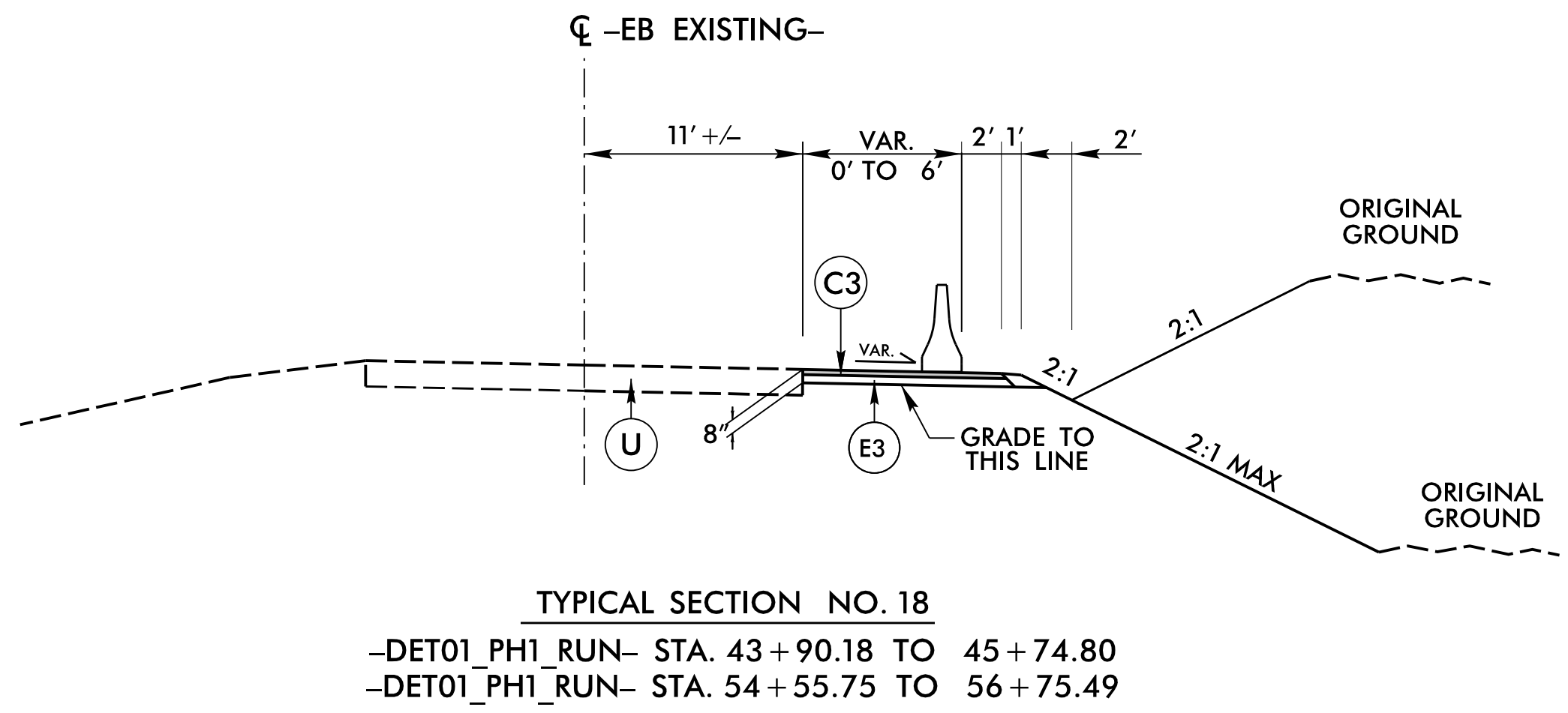
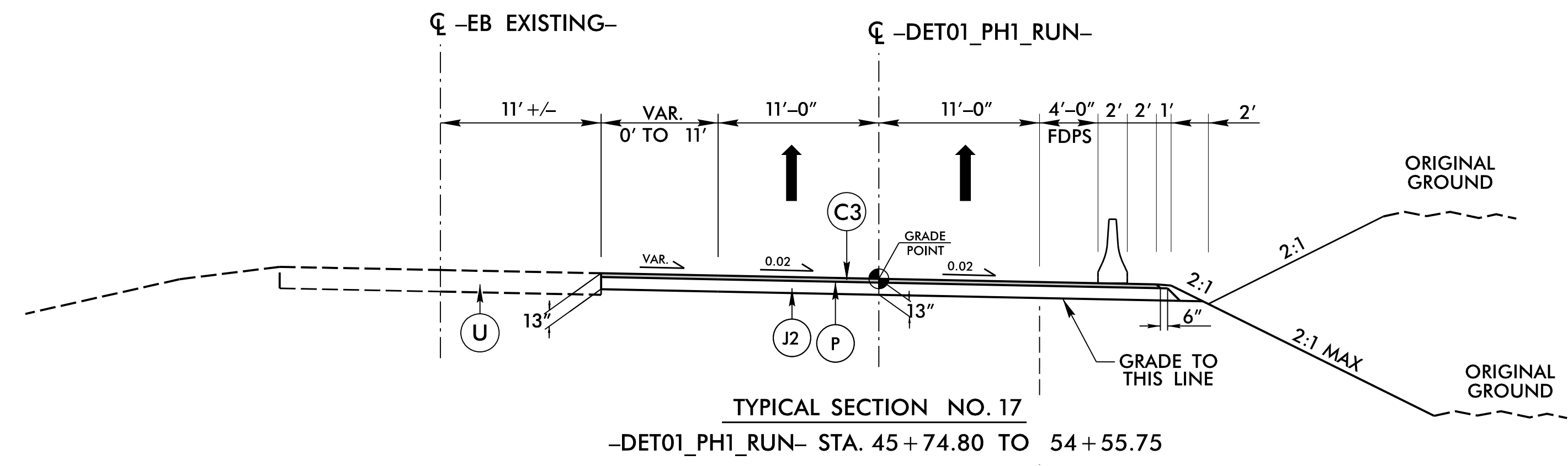


6/2/2022

PROJECT REFERENCE NO. <b>B-3186B-5898</b>	SHEET NO. <b>2A-8</b>
ROADWAY DESIGN ENGINEER SEAL 32862 WILLIAM E. ROBERTS 3/17/2022	PAVEMENT DESIGN ENGINEER SEAL 102486 JOSEPH T. HOLLAND 3/17/2022
<b>DOCUMENT NOT CONSIDERED FINAL UNLESS ALL SIGNATURES COMPLETED</b>	
 HDR Engineering, Inc. of the Carolinas 555 Fayetteville St, Suite 900 Raleigh, N.C. 27601 N.C.B.E.L.S. License Number: F-0116	

PAVEMENT SCHEDULE	
C2	3" S9.5B
C3	3" S9.5C
E3	5" B25.0C
J2	10" ABC
P	PRIME COAT
T	EARTH MATERIAL
U	EXIST. PAVEMENT



PLOT DRIVER: NCDOT.pdf\_color\_eng\_50.ppt  
 USER: HBAFE  
 FILE: \
 PENTABLE: B-3186 B-5898 NCDOT\_pshpfl.tbl  
 DATE: 1/13/2022  
 TIME: 6:55:34 AM