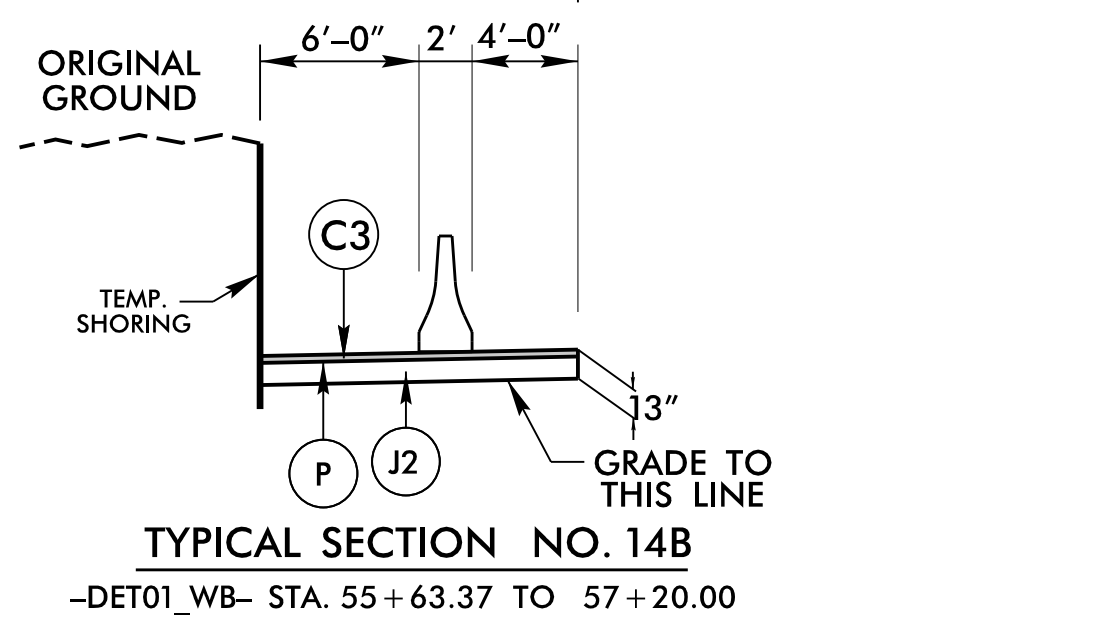
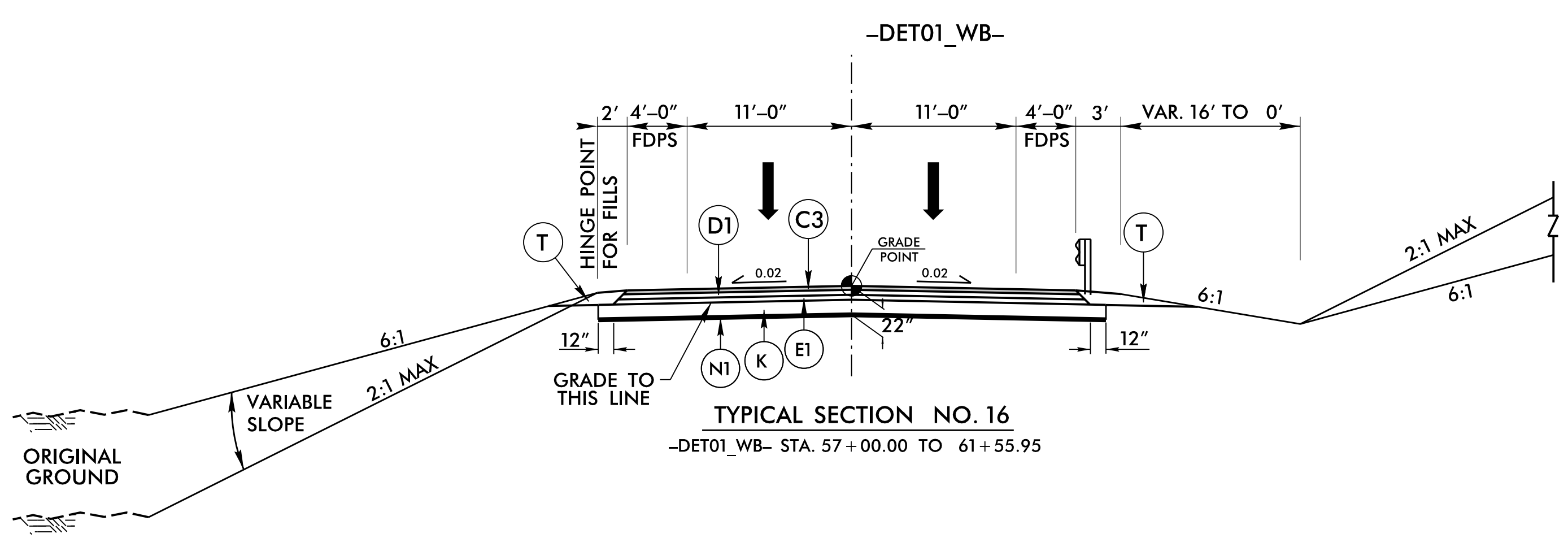
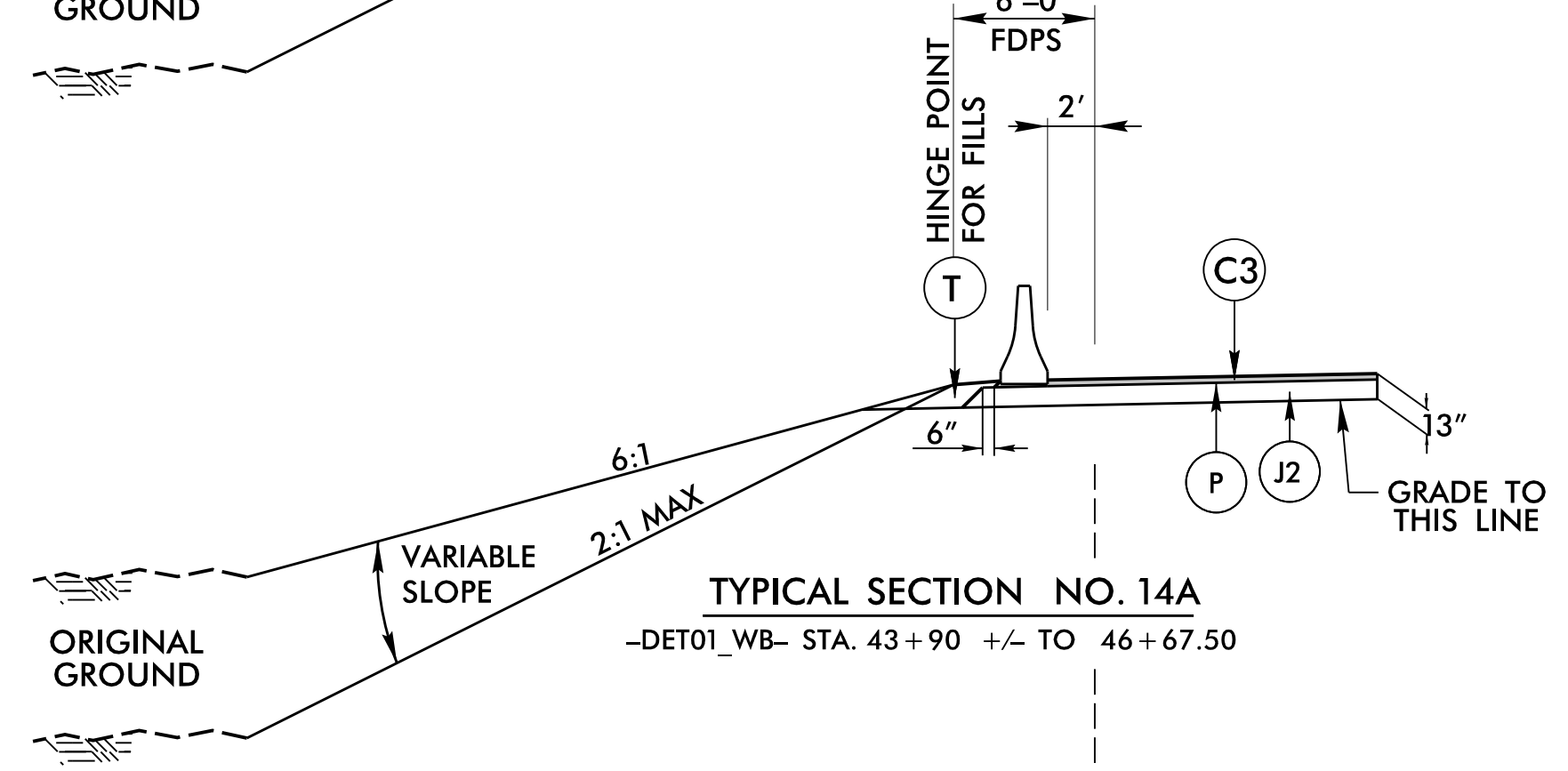
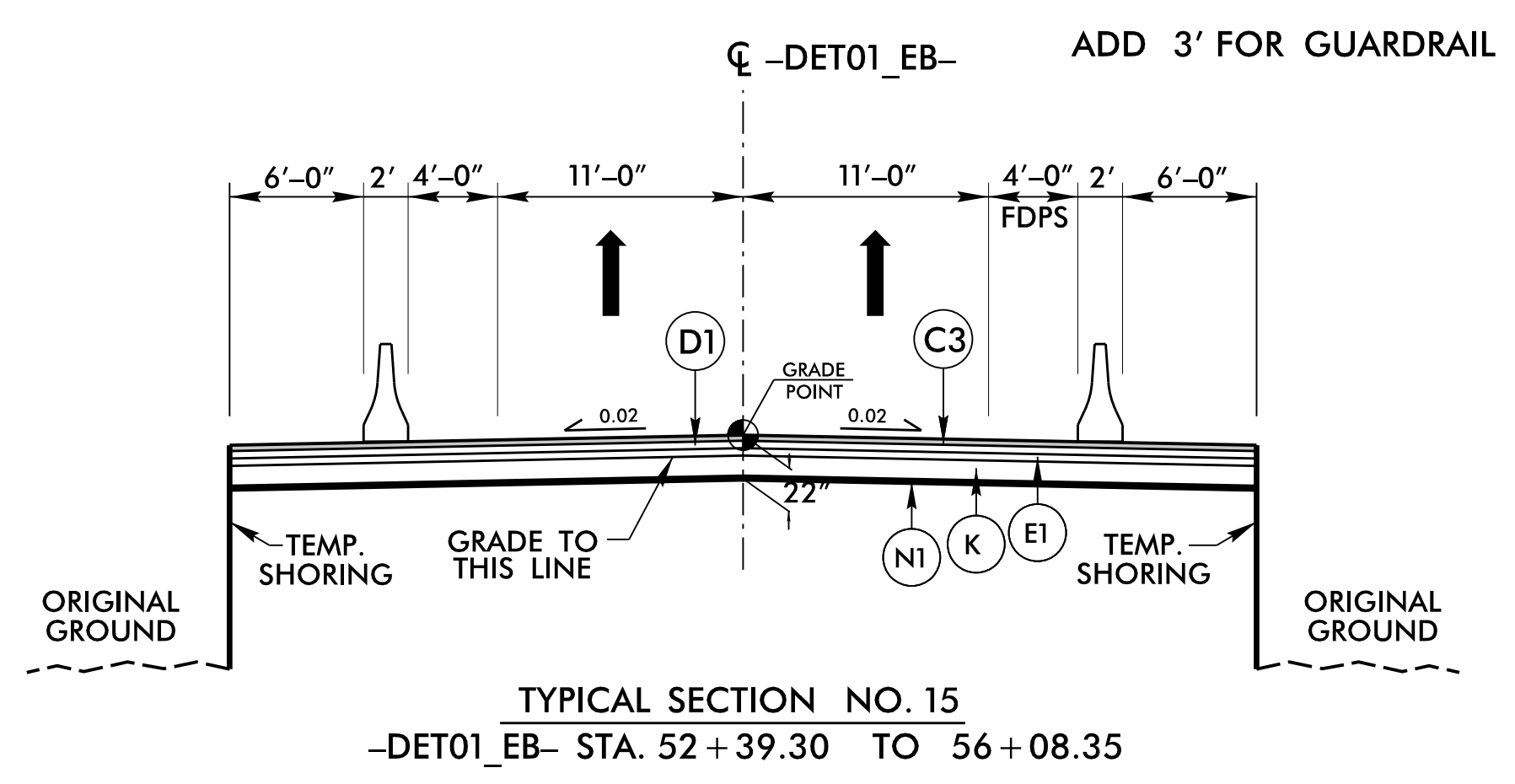
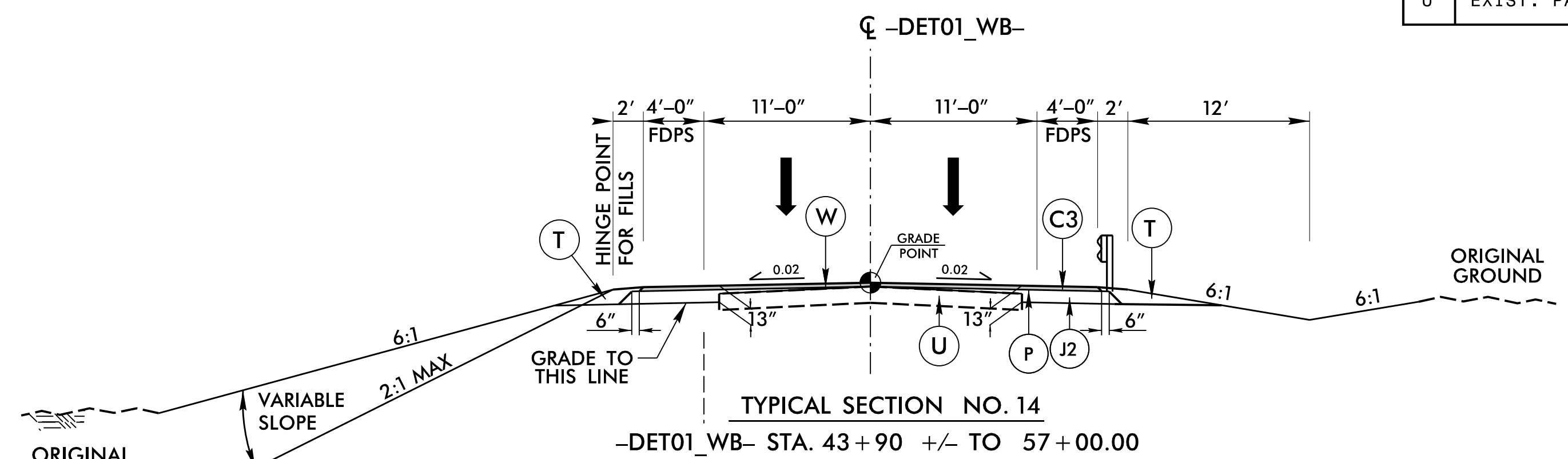
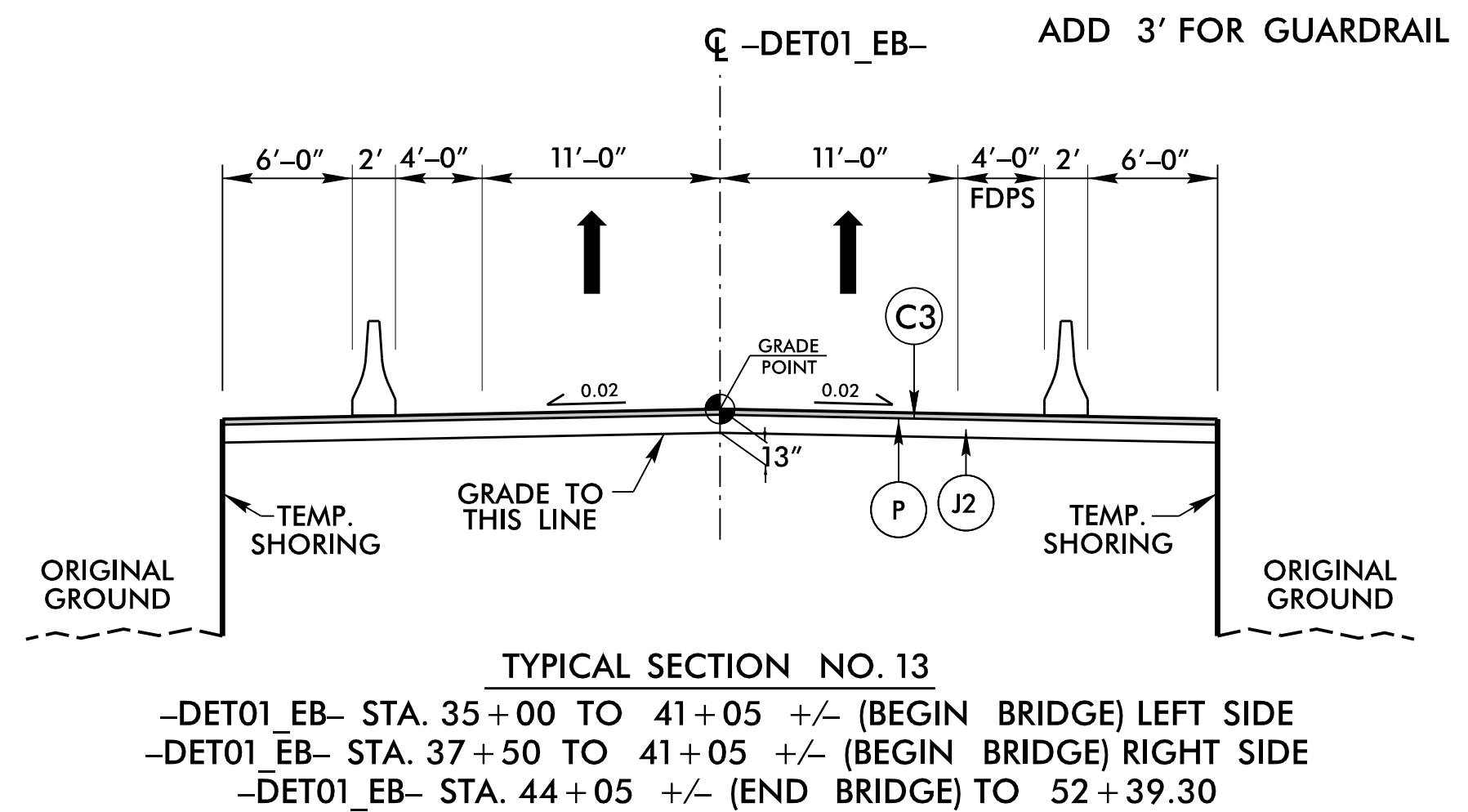
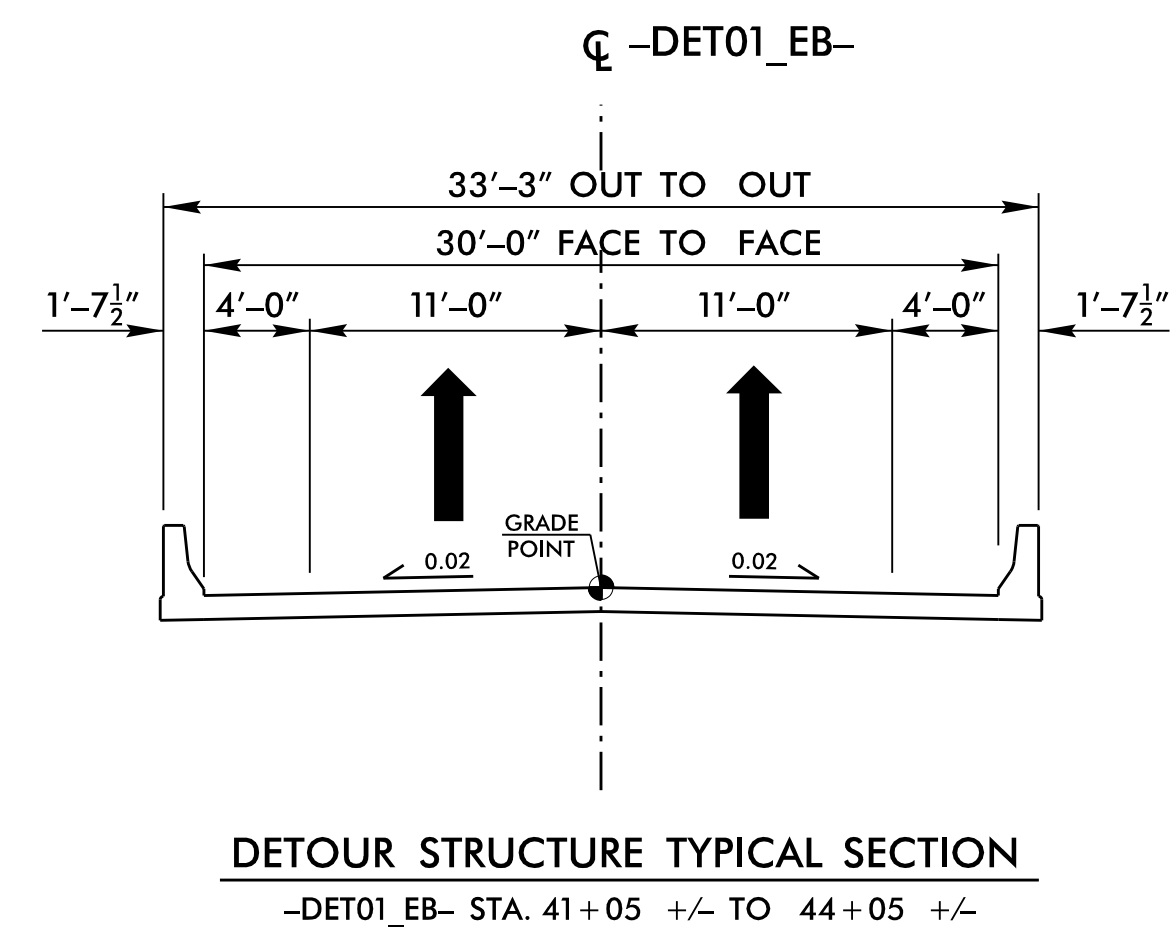
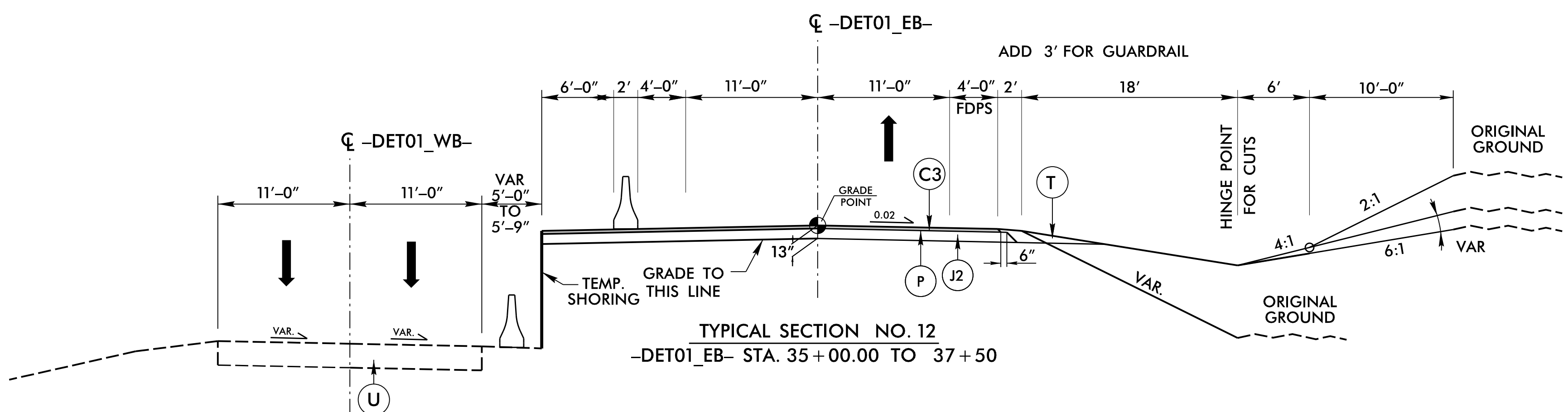


6/2/2022

| | |
|---|------------------------------|
| PROJECT REFERENCE NO. B-3186B-5898 | SHEET NO. 2A-7 |
| ROADWAY DESIGN ENGINEER | PAVEMENT DESIGN ENGINEER |
| DOCUMENT NOT CONSIDERED FINAL UNLESS ALL SIGNATURES COMPLETED | |
| HDR Engineering, Inc. of the Carolinas 555 Fayetteville St., Suite 900, Raleigh, N.C. 27601 N.C.B.E.L.S. License Number: F-0116 | |

| PAVEMENT SCHEDULE | |
|-------------------|-----------------|
| C3 | 3" S9.5C |
| J2 | 10" ABC |
| P | PRIME COAT |
| T | EARTH MATERIAL |
| U | EXIST. PAVEMENT |



PLOT DRIVER: NCDOT.pdf_color_eng-50.ppt
 USER: HBARE
 FILE: \\\n
 PENTABLE: B-3186 B-5898 NCDOT_pshpfl.tbl
 DATE: 1/13/2022
 TIME: 6:55:34 AM