


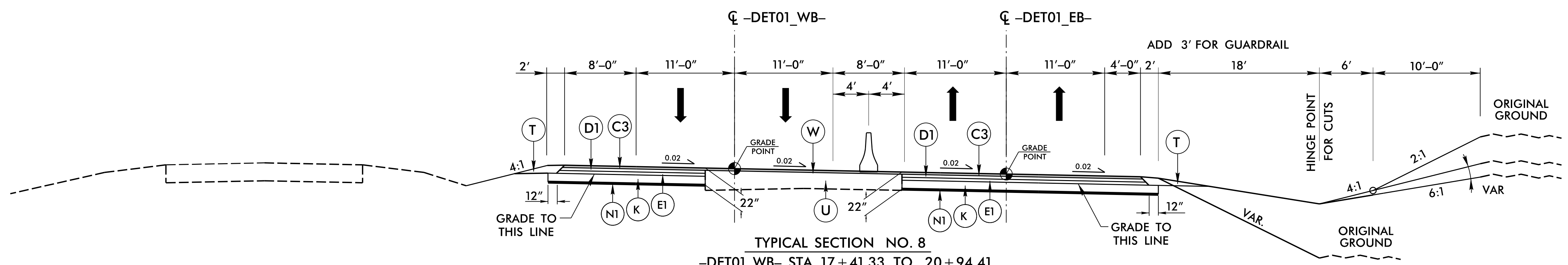
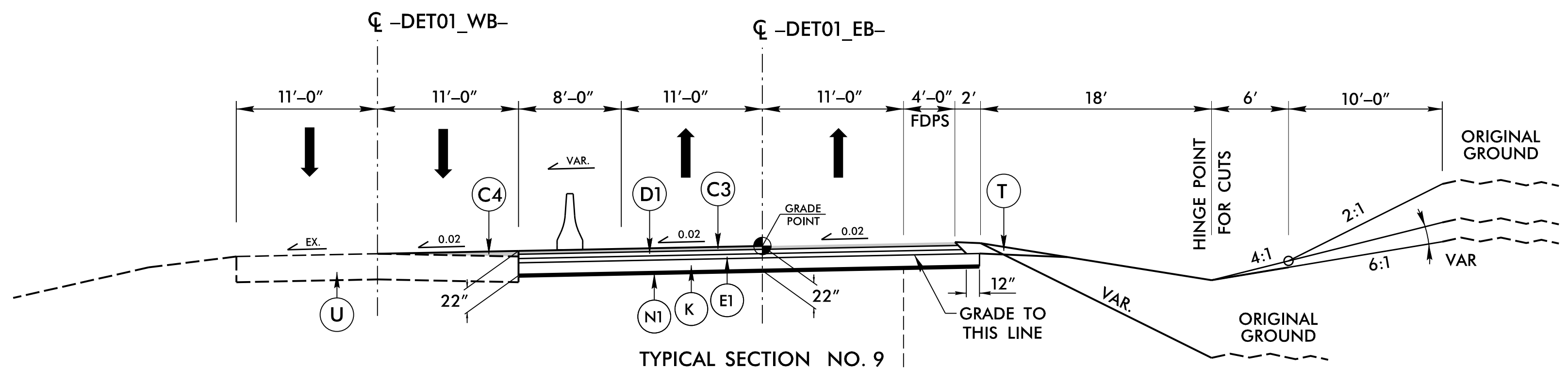


6/2/2019

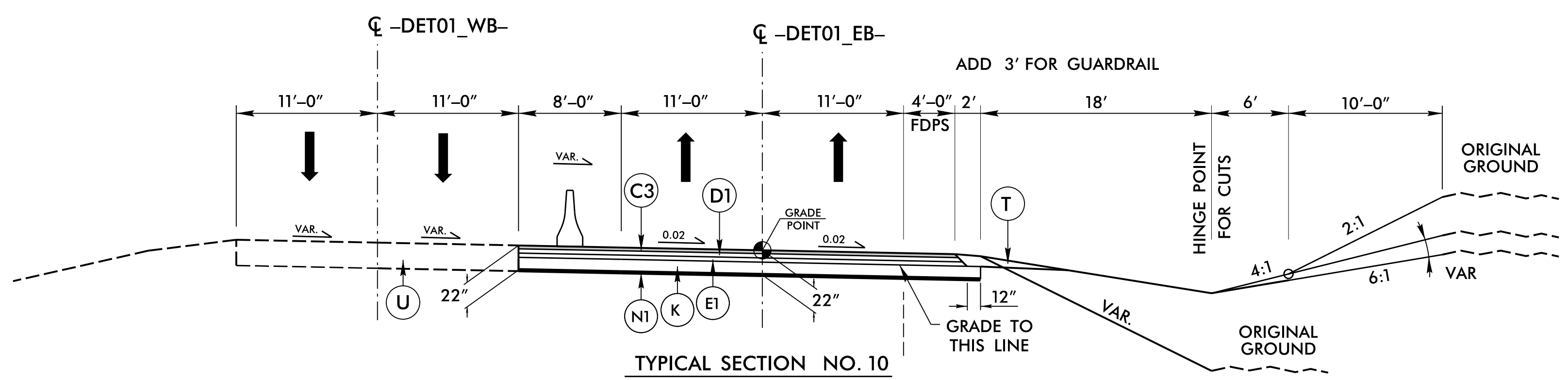
PROJECT REFERENCE NO. <b>B-3186B-5898</b>	SHEET NO. <b>2A-6</b>
ROADWAY DESIGN ENGINEER 	PAVEMENT DESIGN ENGINEER 
4/14/2022	4/18/2022
<b>DOCUMENT NOT CONSIDERED FINAL UNLESS ALL SIGNATURES COMPLETED</b>	
 HDR Engineering, Inc. of the Carolinas 555 Fayetteville St. Suite 900 Raleigh, N.C. 27601 N.C.B.E.L.S. License Number: F-0116	



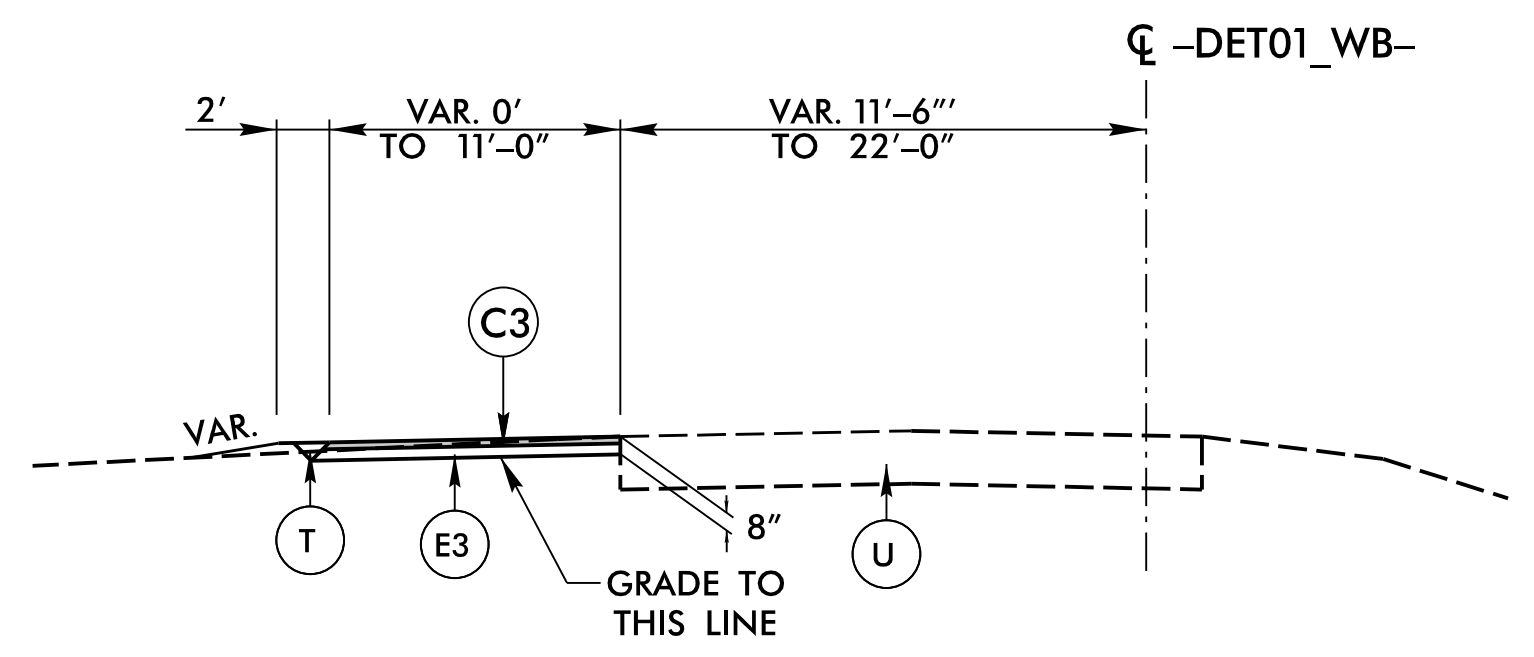
**TYPICAL SECTION NO. 8**  
 -DET01\_WB- STA. 17+41.33 TO 20+94.41  
 -DET01\_EB- STA. 20+25.47 TO 20+89.55



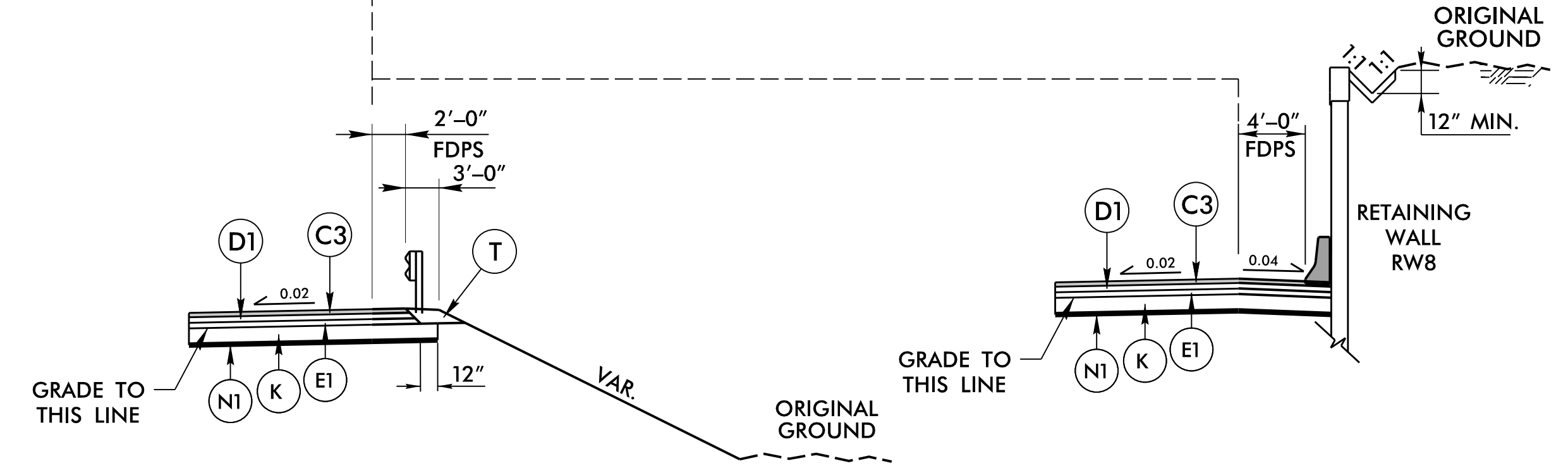
**TYPICAL SECTION NO. 9**  
 -DET01\_EB- STA. 20+89.55 TO 25+69.92



**TYPICAL SECTION NO. 10**  
 -DET01\_EB- STA. 25+69.92 TO 35+00



**TYPICAL SECTION NO. 11**  
 -DET01\_WB- STA. 31+34.50 TO 39+30.80



**TYPICAL SECTION NO. 10A**  
 -DET01\_EB- STA. 20+89.55 TO 29+30.71  
 -DET01\_EB- STA. 34+83.86 TO 37+50.00

**TYPICAL SECTION NO. 10B**  
 -DET01\_EB- STA. 29+30.48 TO 34+83.83

C3	3" S9.5C
C4	VAR. DEPTH S9.5C
D1	4" I19.0C
E1	3" B25.0C
E3	5" B25.0C
K	12" CL IV SUB. STAB.
N1	GEOTEXTILE
T	EARTH MATERIAL
U	EXIST. PAVEMENT
W	VAR. DEPTH ASPHALT PAVEMENT

PLOT DRIVER: NCDOT\_color\_eng\_50.plt  
 USER: HBARE  
 DATE: 3/28/2022  
 TIME: 2:51:03 PM  
 FILE: NCDOT\NCDOT-B3186\_T02.c. \6.0.CAD.BITM\6.2.Work.In.Progress\B-3186-B-5898\Roadway\Proj\B3186-B5898-RDY\_TYP.dgn