
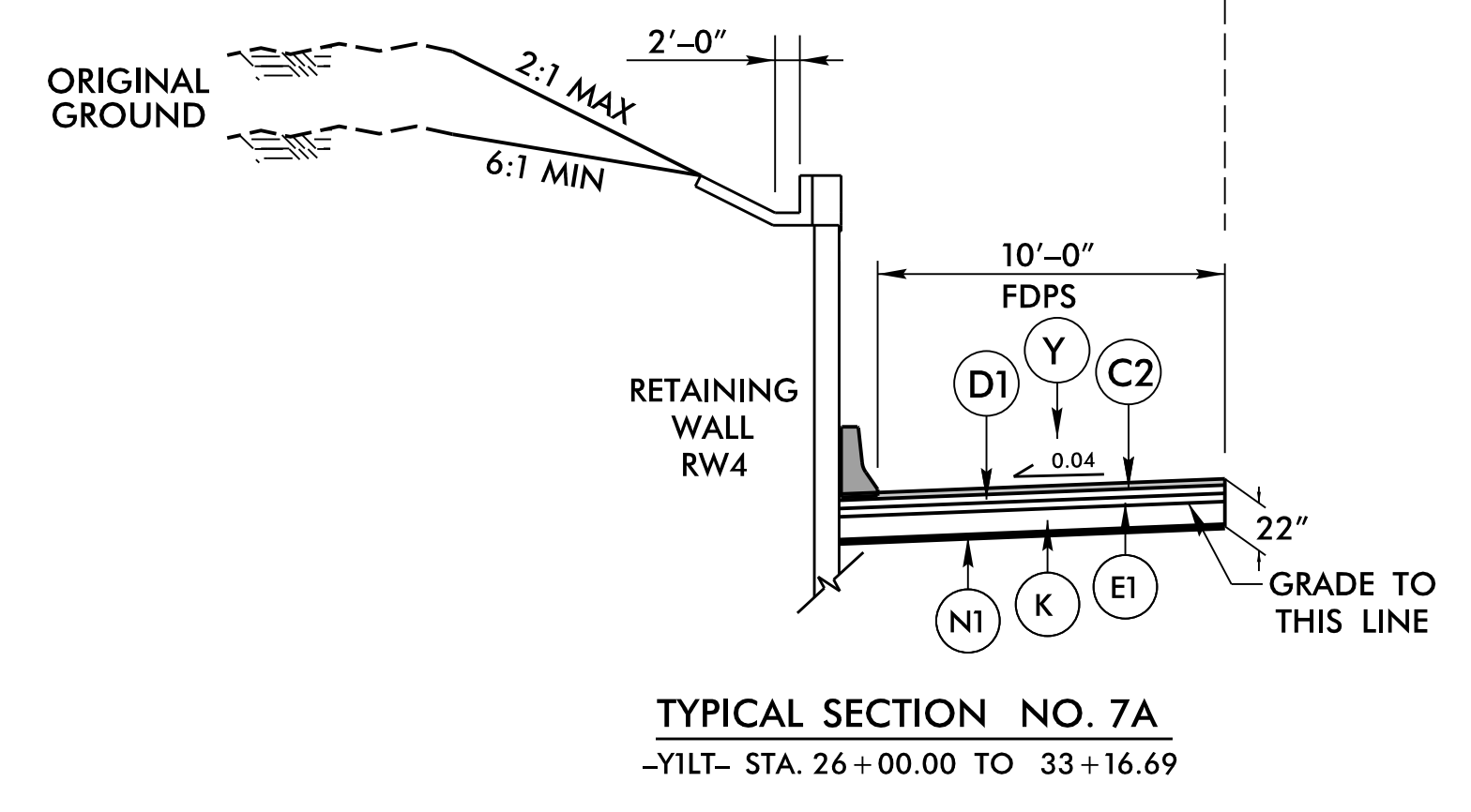
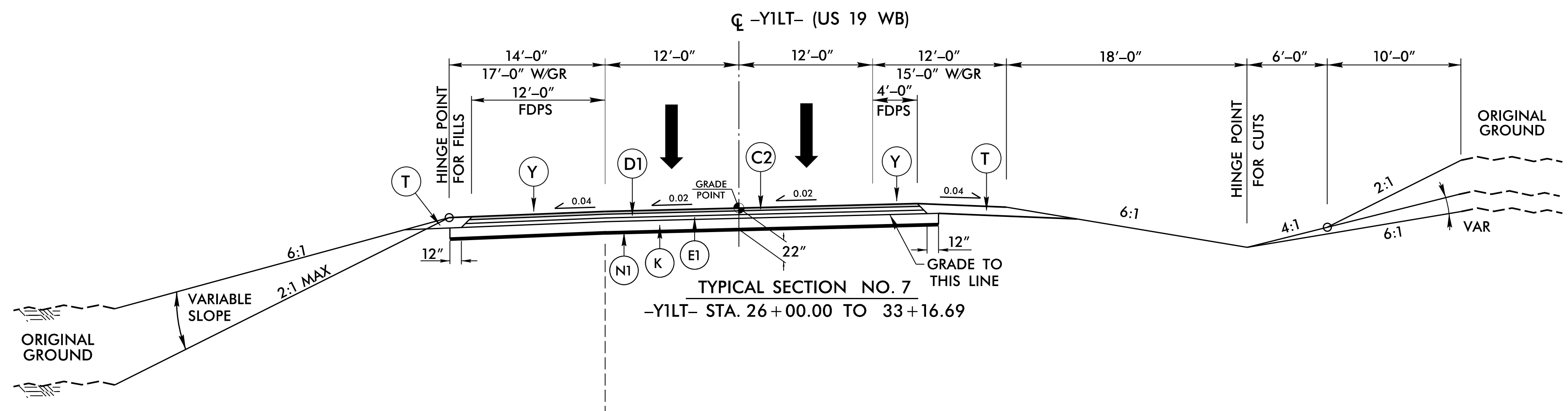
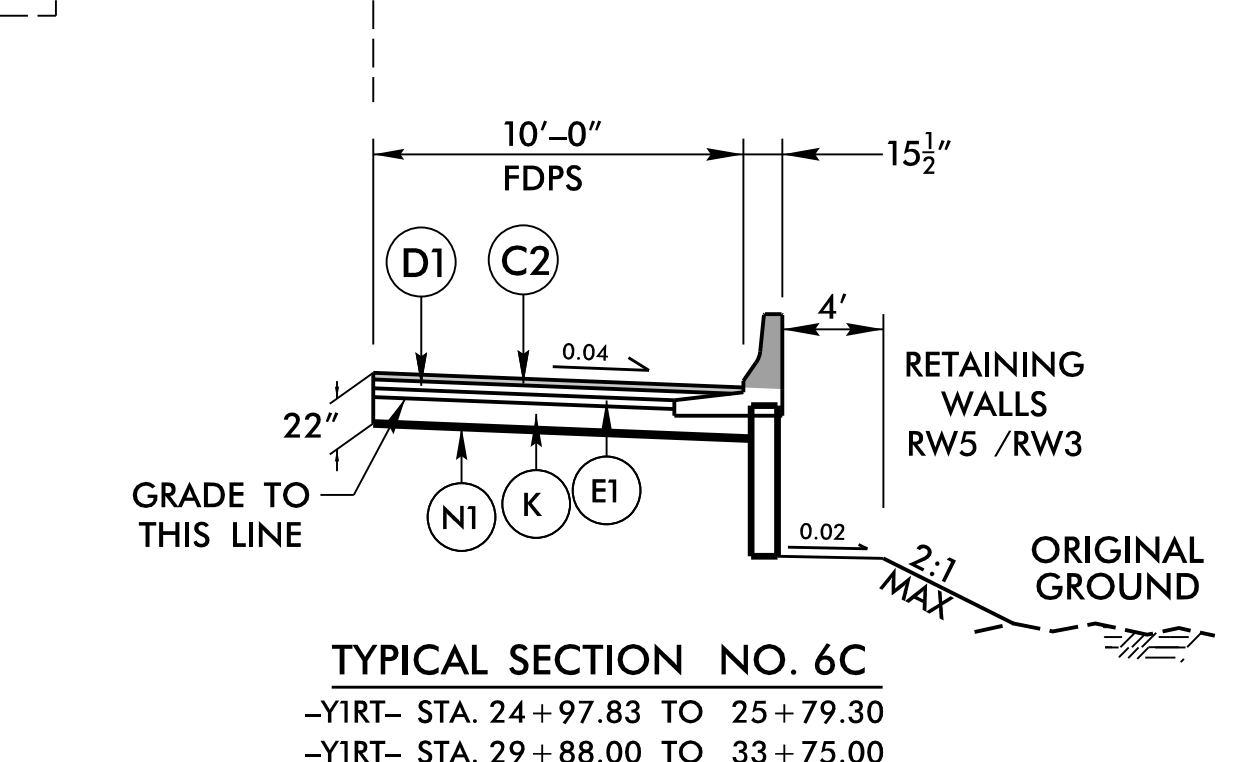
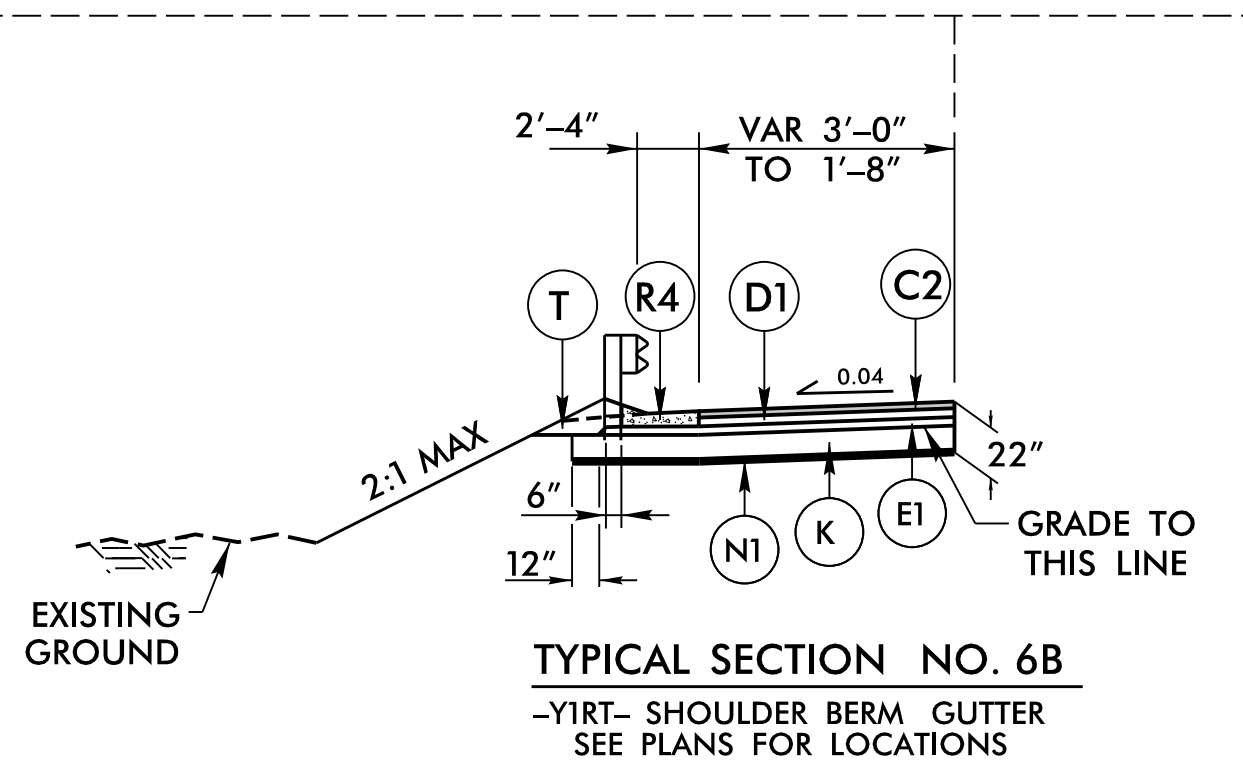
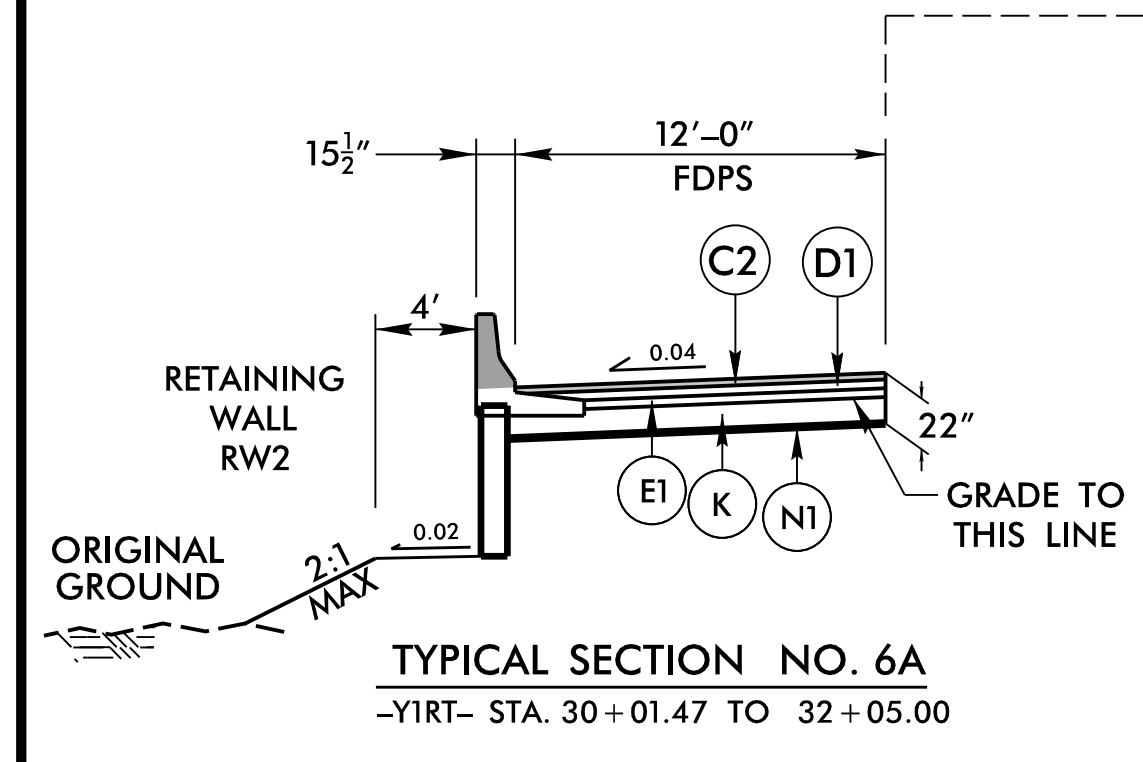
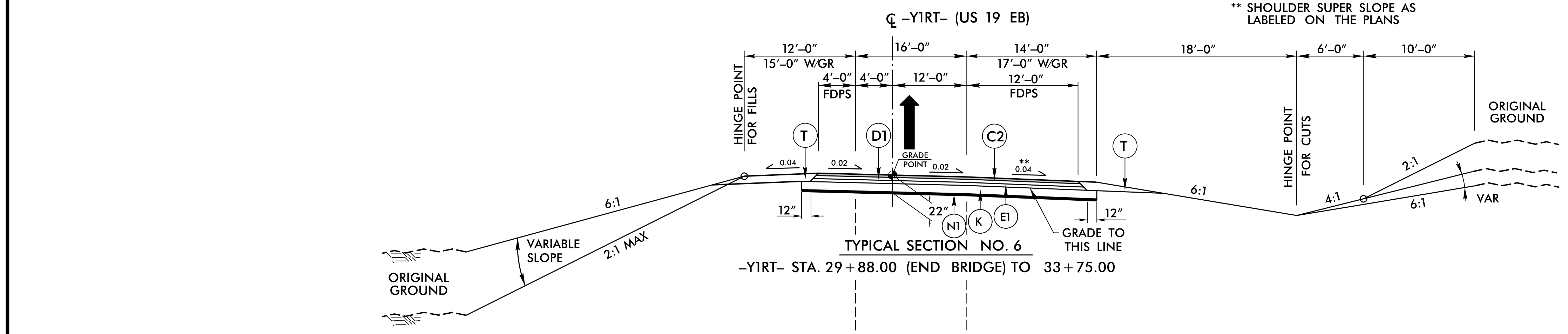


6/2/2022

PROJECT REFERENCE NO. <b>B-3186B-5898</b>	SHEET NO. <b>2A-5</b>
ROADWAY DESIGN ENGINEER <i>[Signature]</i> SEAL LIP E. ROGUE 4/14/2022	PAVEMENT DESIGN ENGINEER <i>[Signature]</i> SEAL DEB T. HOLLAND 4/18/2022
<b>DOCUMENT NOT CONSIDERED FINAL UNLESS ALL SIGNATURES COMPLETED</b>	
 HDR Engineering, Inc. of the Carolinas 555 Fayetteville St. Suite 900 Raleigh, N.C. 27601 N.C.B.E.L.S. License Number: F-0116	

PAVEMENT SCHEDULE	
C2	3" S9.5B
D1	4" I19.0C
E1	3" B25.0C
K	12" CL IV SUB. STAB.
N1	GEOTEXTILE
R4	SBG
T	EARTH MATERIAL
U	EXIST. PAVEMENT
Y	RUMBLE STRIPS



PLOT DRIVER: NCDOT\_color\_eng\_50.plt  
 USER: HBARE  
 DATE: 3/28/2022  
 TIME: 7:56:13 AM  
 FILE: NCDOT\NCDOT-B3186-T02.c. \6.0.CAD.BIM\6.2.Work.In.Progess\B-3186-B-5898\Roadway\Proj\B3186-B5898-RDY\_TYP.dgn