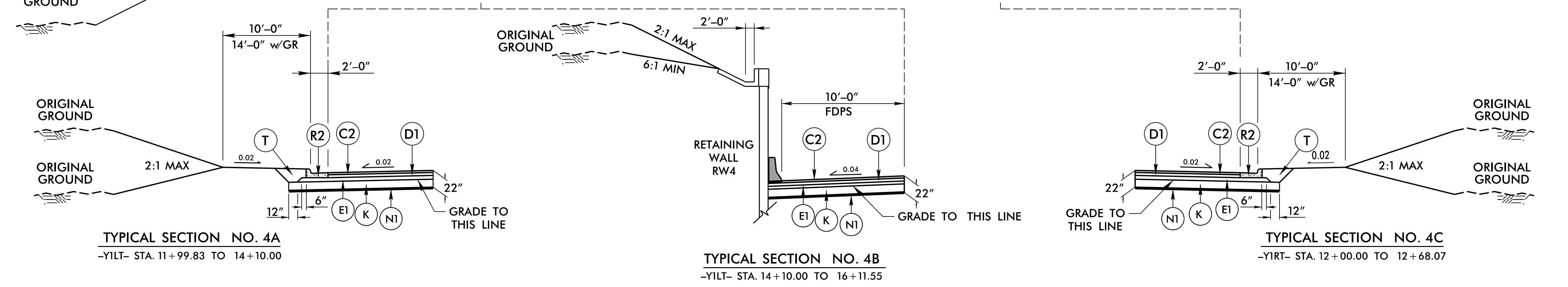
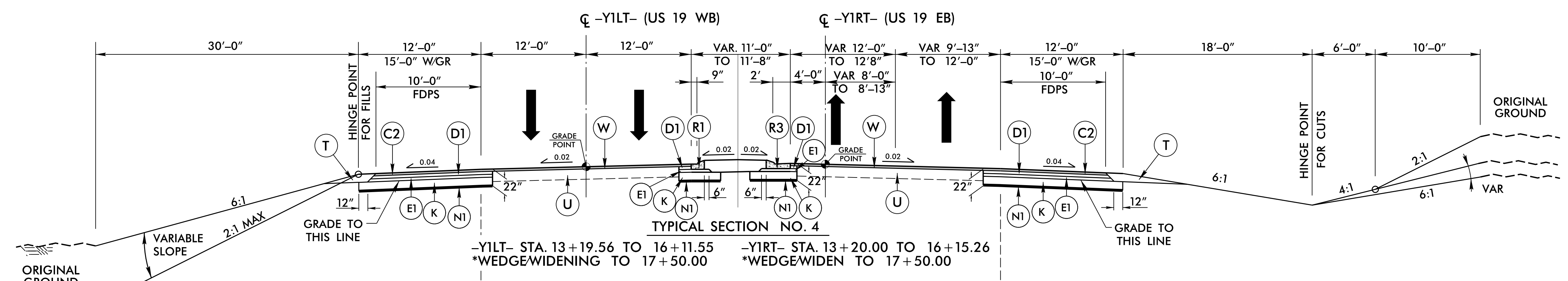
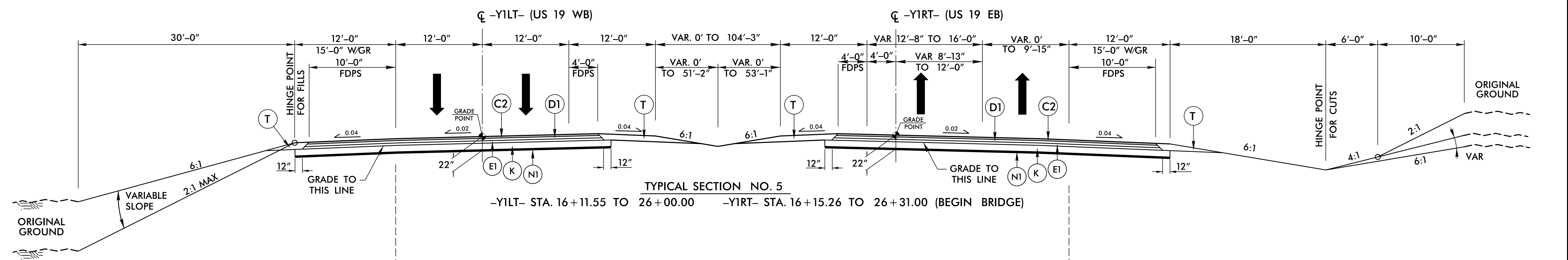


6/2/2022

PROJECT REFERENCE NO. B-3186B-5898	SHEET NO. 2A-4
ROADWAY DESIGN ENGINEER <i>[Signature]</i> SEAL LIP E. ROUSE	PAVEMENT DESIGN ENGINEER <i>[Signature]</i> SEAL T. HOLLAND
4/14/2022	
4/18/2022	
DOCUMENT NOT CONSIDERED FINAL UNLESS ALL SIGNATURES COMPLETED	
HDR Engineering, Inc. of the Carolinas 555 Fayetteville St. Suite 900 Raleigh, N.C. 27601 N.C.B.E.L.S. License Number: F-0116	



C2	3" S9.5B
D1	4" I19.0C
E1	3" B25.0C
J1	6" ABC
K	12" CL IV SUB. STAB.
N1	GEOTEXTILE
P	PRIME COAT
R1	1'-6" C&G
R2	2'-6" C&G
R3	2'-9" C&G
T	EARTH MATERIAL
U	EXIST. PAVEMENT
W	VAR. DEPTH ASPHALT PAVEMENT



PLOT DRIVER: NCDOT_color_eng_50.plt
 USER: HBARE
 FILE: NCDOT\NCDOT-B3186-T02.c. \6.0.CAD.BIM\6.2.Work.In.Progess\B-3186-B-5898\Roadway\Pro\B3186-B5898-RDY_TYP.dgn
 DATE: 3/28/2022
 TIME: 7:55:54 AM