


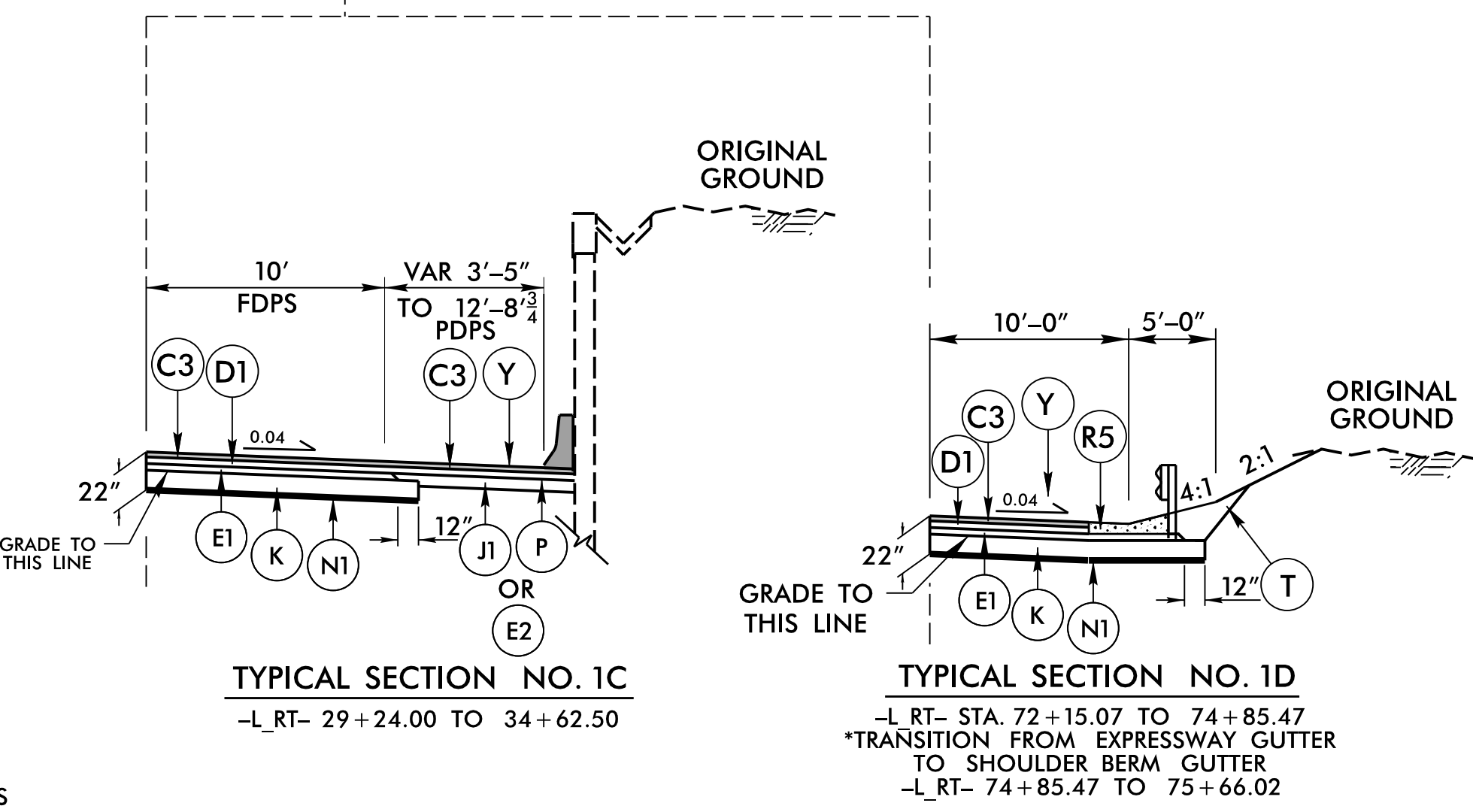
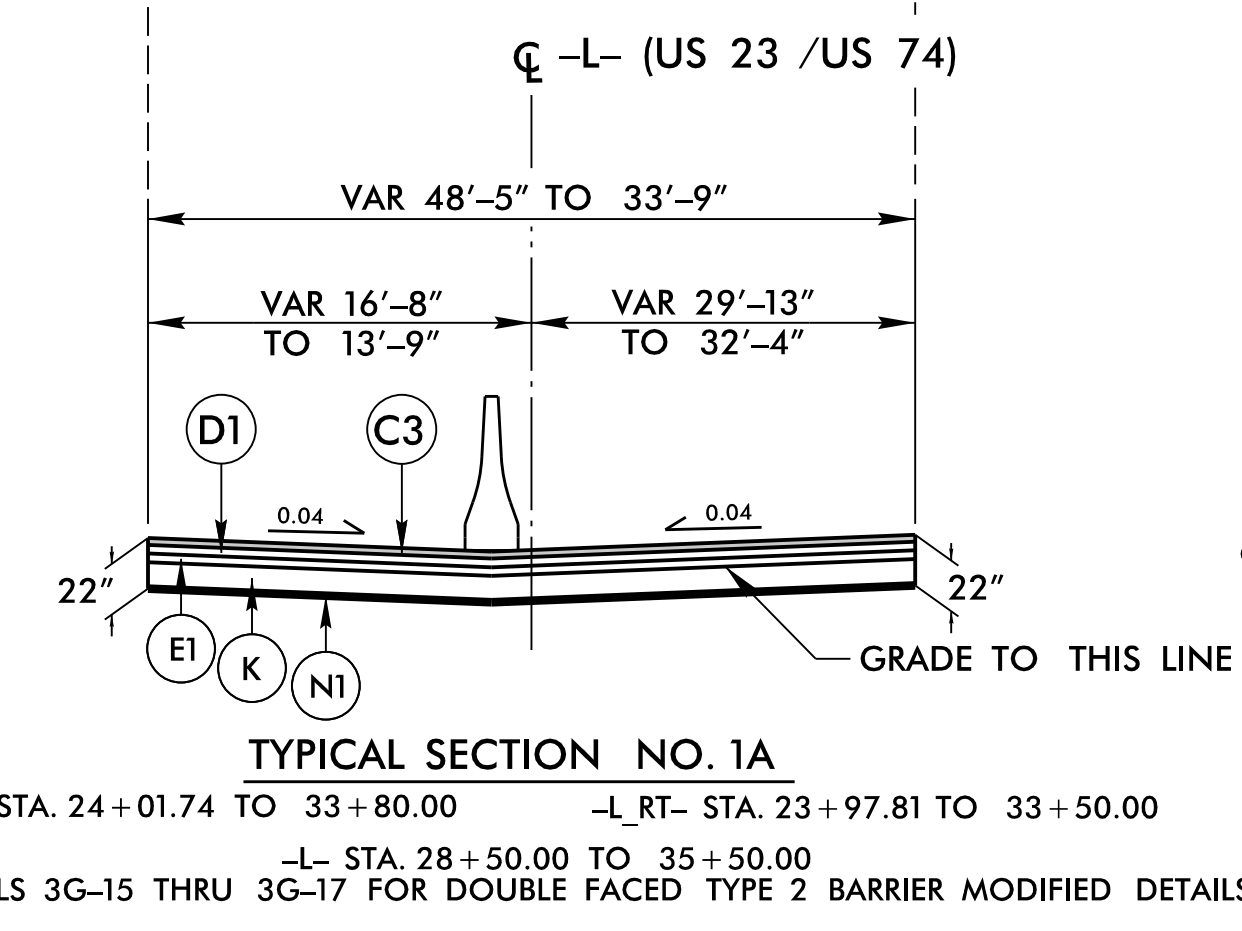
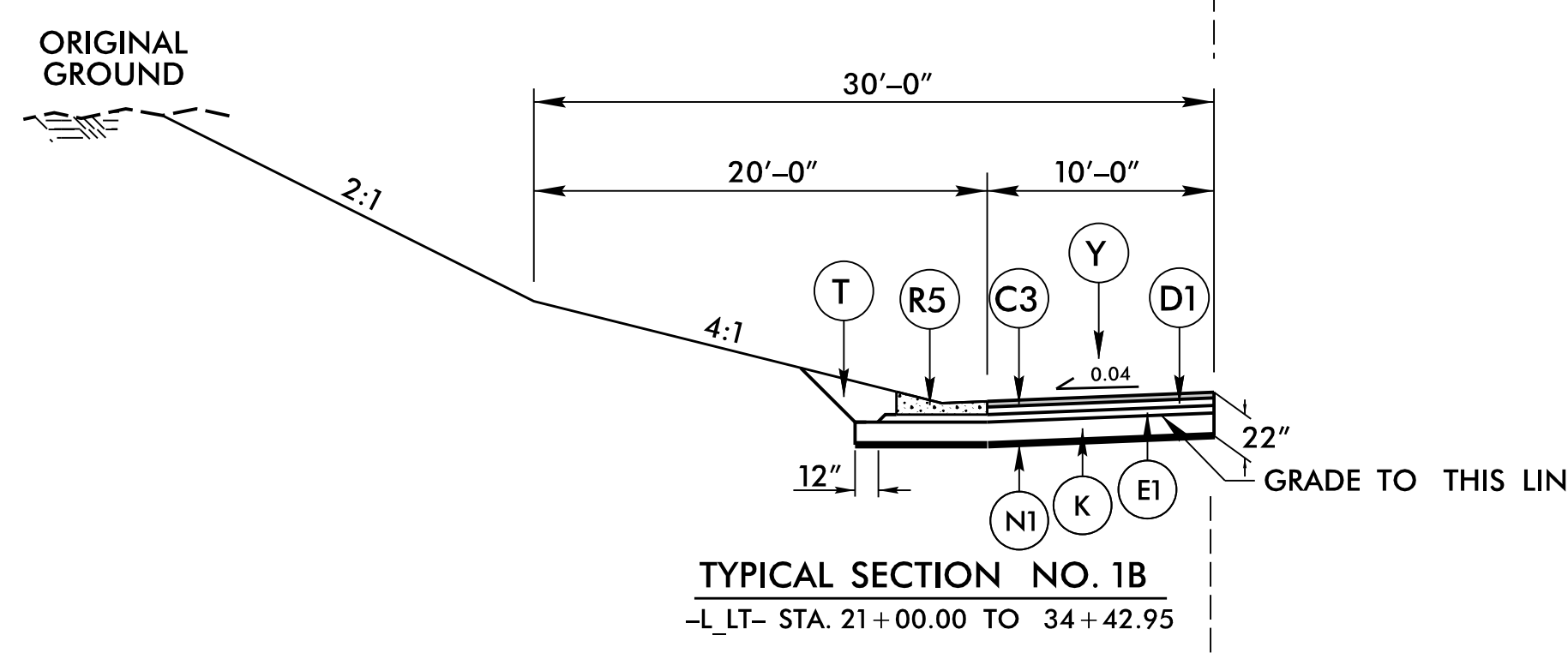
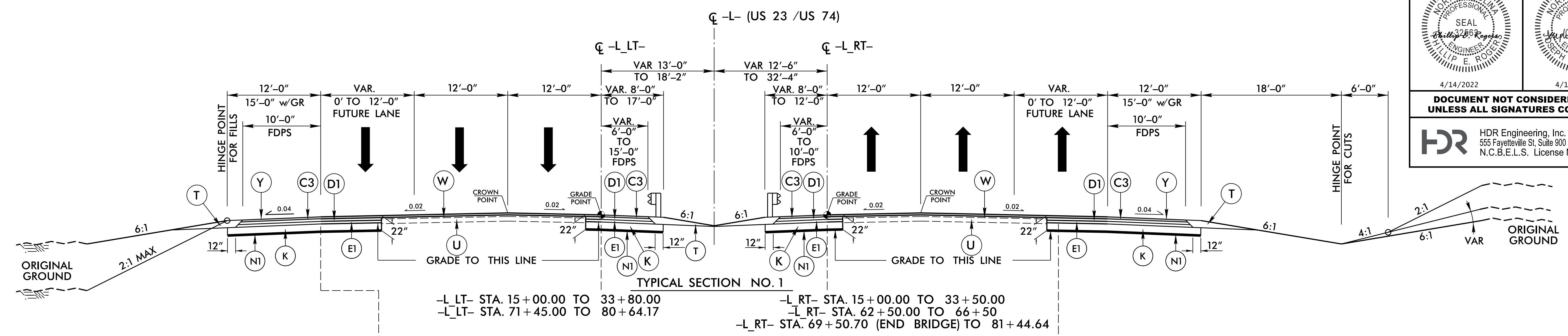
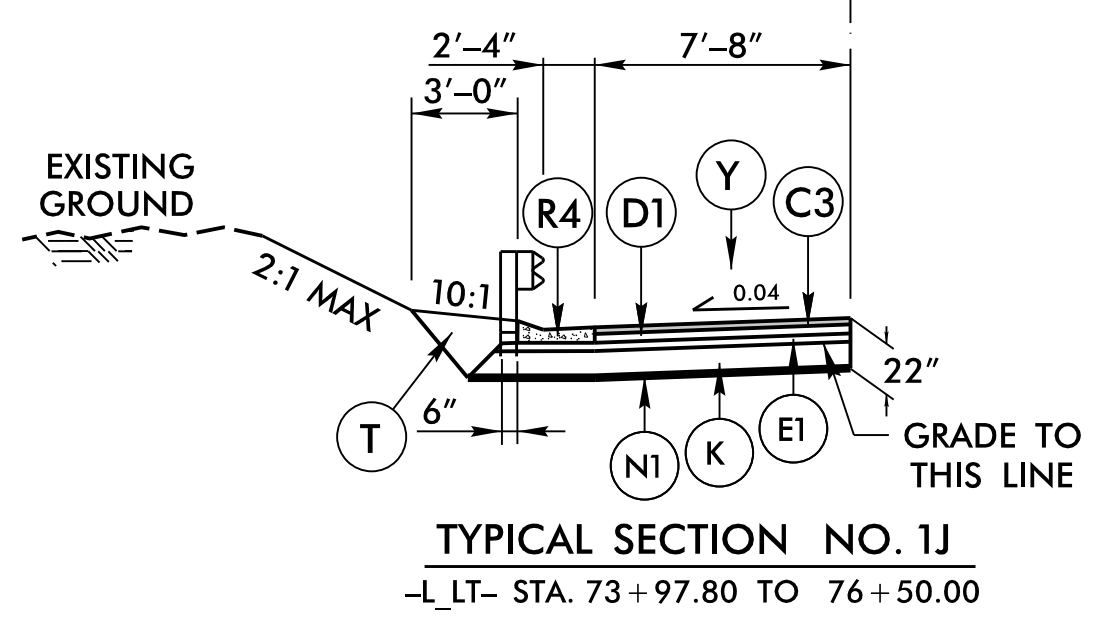
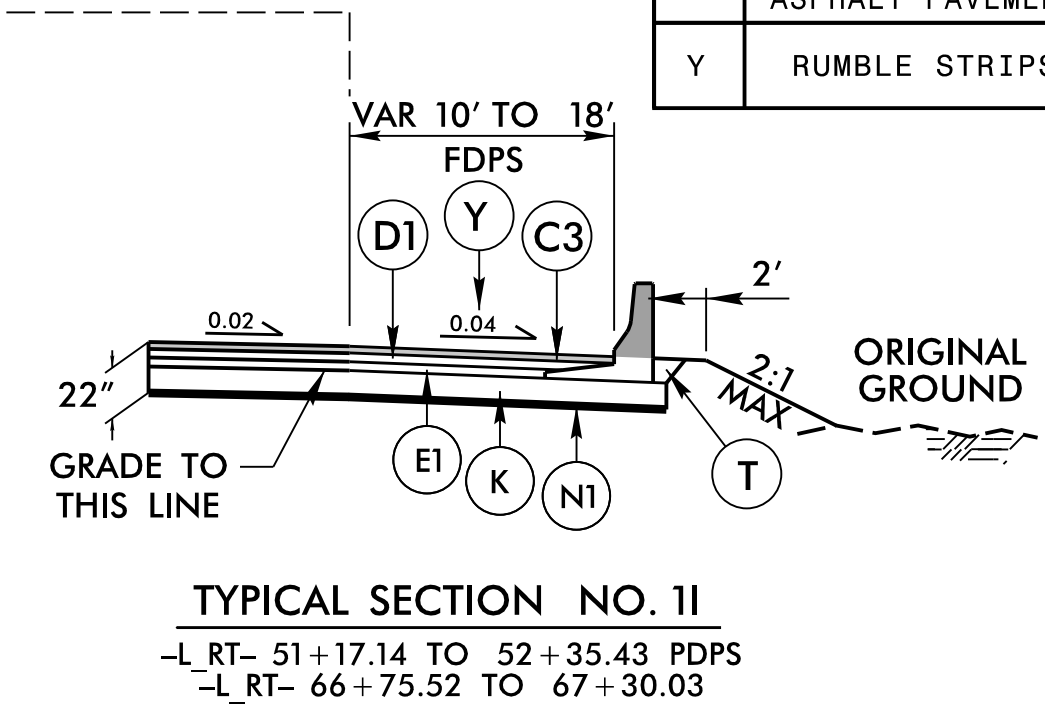
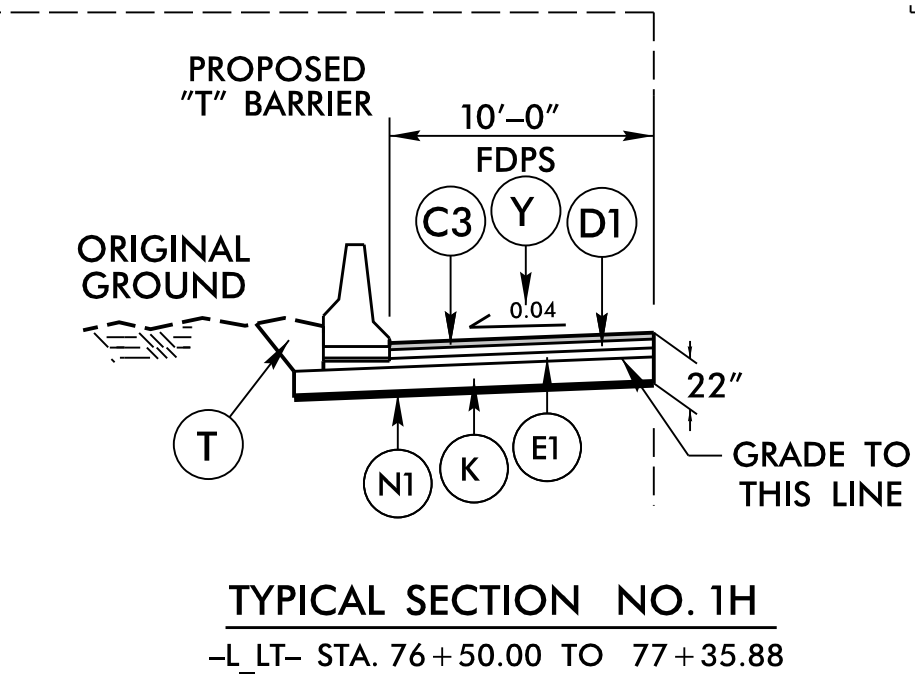
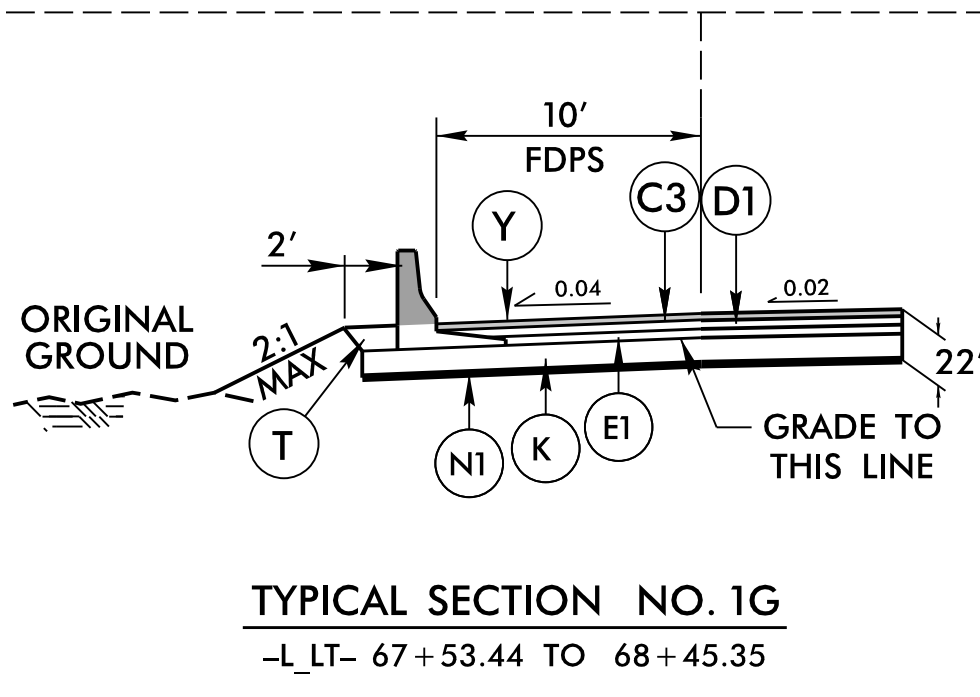
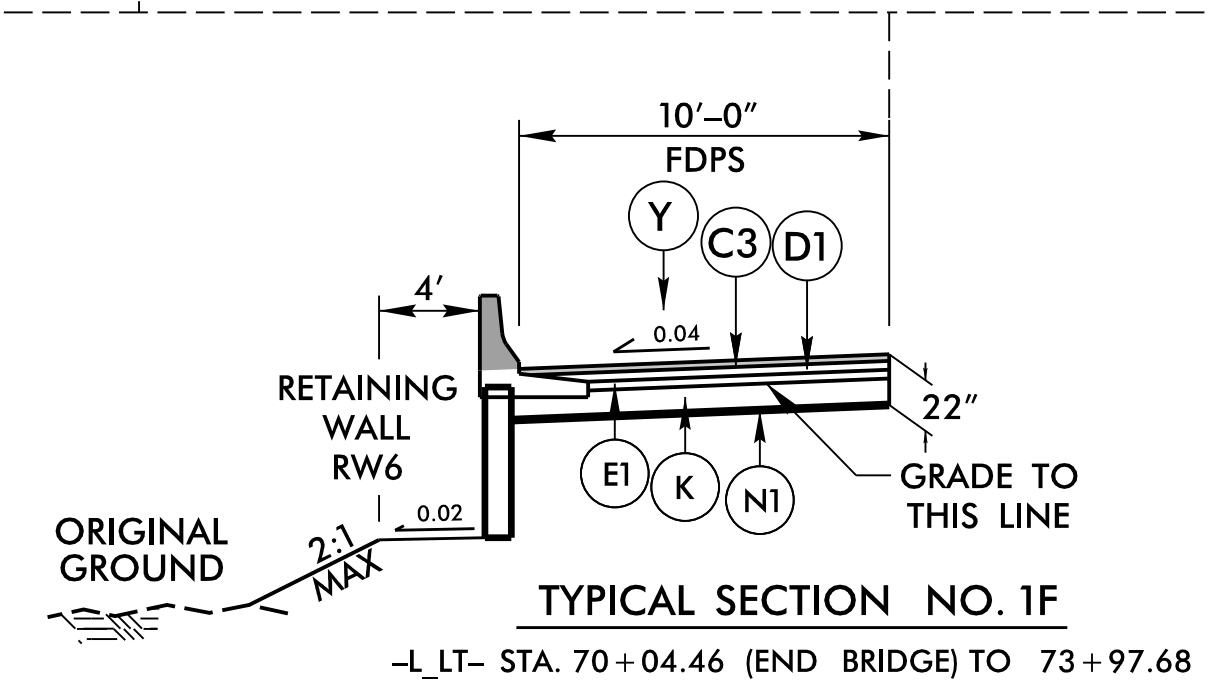
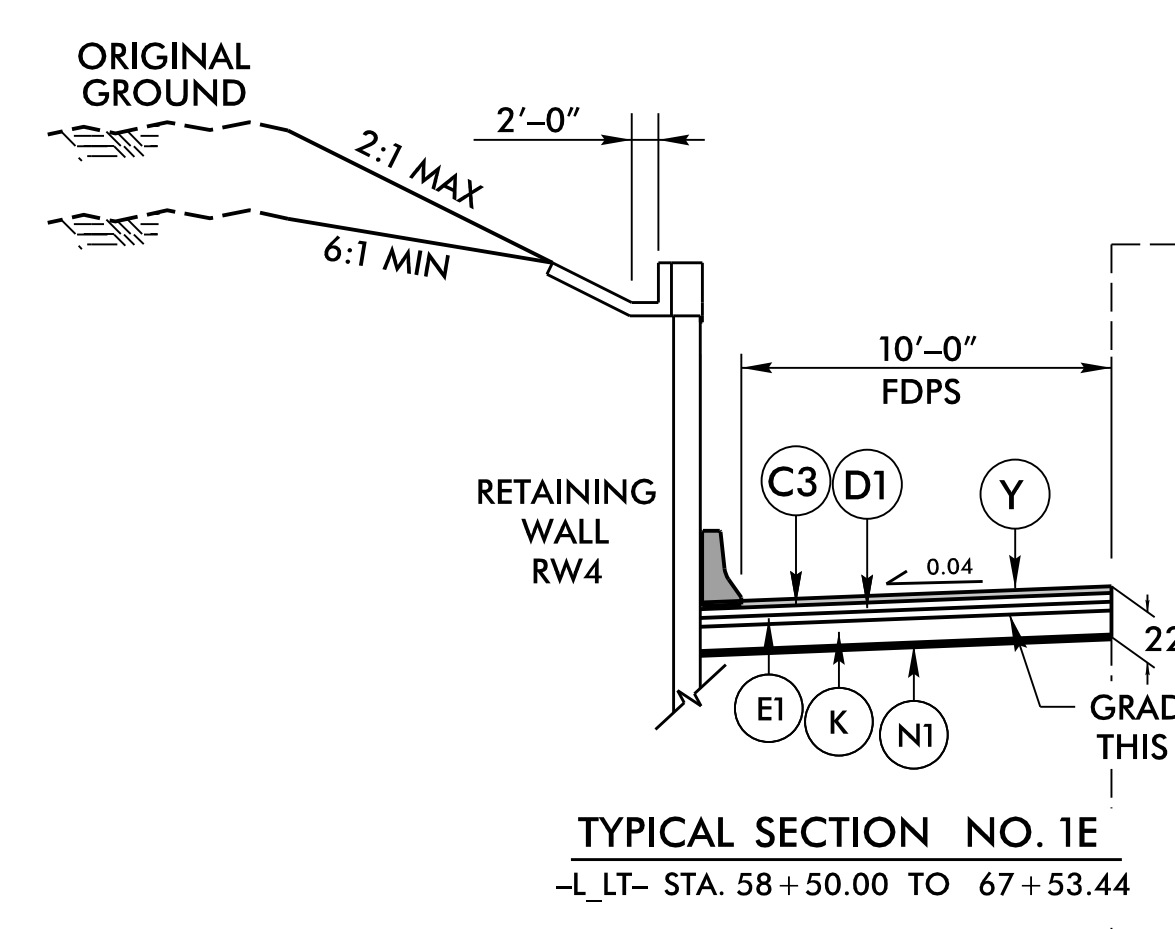


6/2/2022

PROJECT REFERENCE NO. B-3186B-5898	SHEET NO. 2A-2
ROADWAY DESIGN ENGINEER 	PAVEMENT DESIGN ENGINEER 
4/14/2022	
4/18/2022	
DOCUMENT NOT CONSIDERED FINAL UNLESS ALL SIGNATURES COMPLETED	
 HDR Engineering, Inc. of the Carolinas 555 Fayetteville St. Suite 900 Raleigh, N.C. 27601 N.C.B.E.L.S. License Number: F-0116	



PAVEMENT SCHEDULE	
C3	3" S9.5C
D1	4" I19.0C
E1	3" B25.0C
E2	4" B25.0C
J1	6" ABC
K	12" CL IV SUB. STAB.
N1	GEOTEXTILE
P	PRIME COAT
R4	SBG
R5	EXP. GUTTER
T	EARTH MATERIAL
U	EXIST. PAVEMENT
W	VAR. DEPTH ASPHALT PAVEMENT
Y	RUMBLE STRIPS



PLOT DRIVER: NCDOT_color_eng_50.plt
 USER: HBARE
 FILE: NCDOT\NCDOT-B3186-T02.c. \6.0.CAD.BITMAP.2.Work.In.Progress\B-5898\Roadway\Proj\B3186-B5898-RDY_TYP.dgn
 PENTABLE: NCDOT_pshp.plt.tdi
 TIME: 7:55:11 AM
 DATE: 3/28/2022