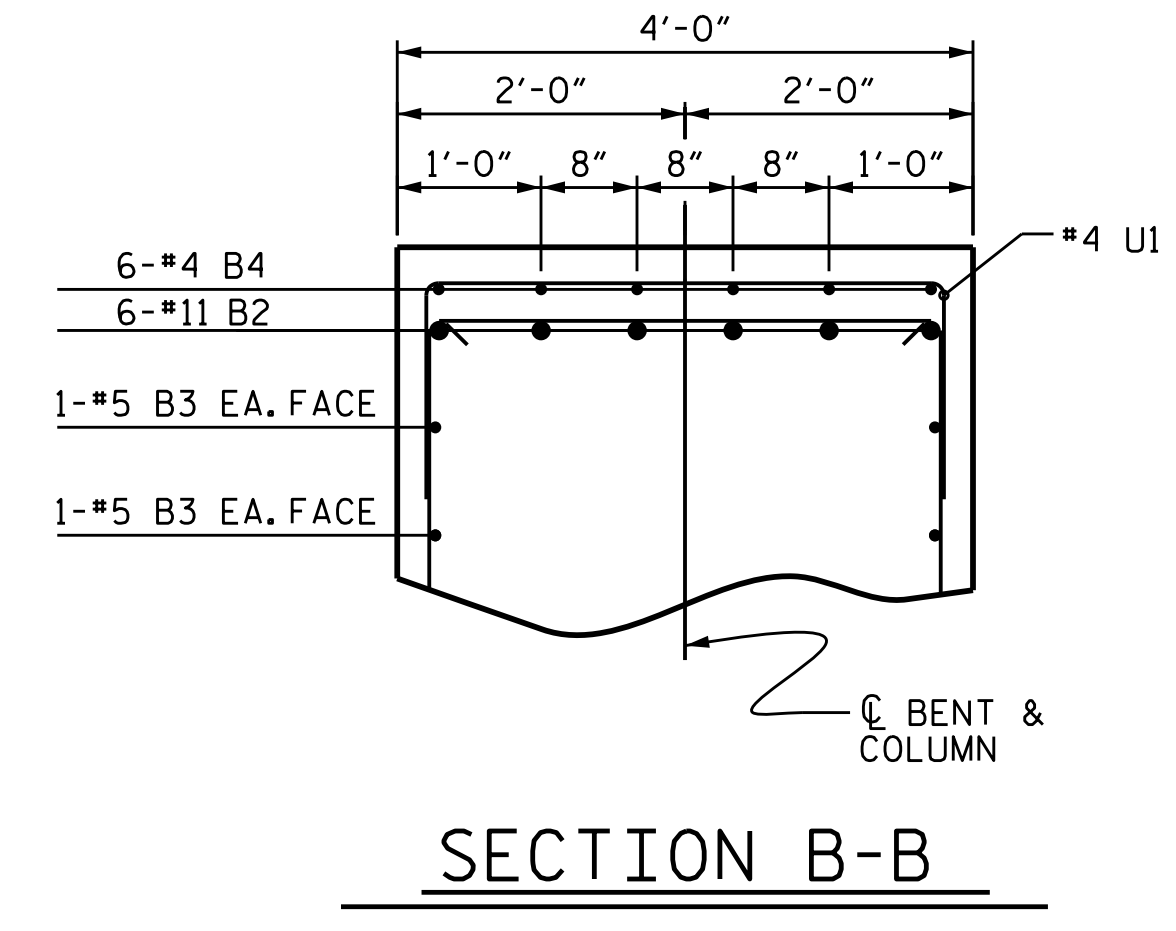
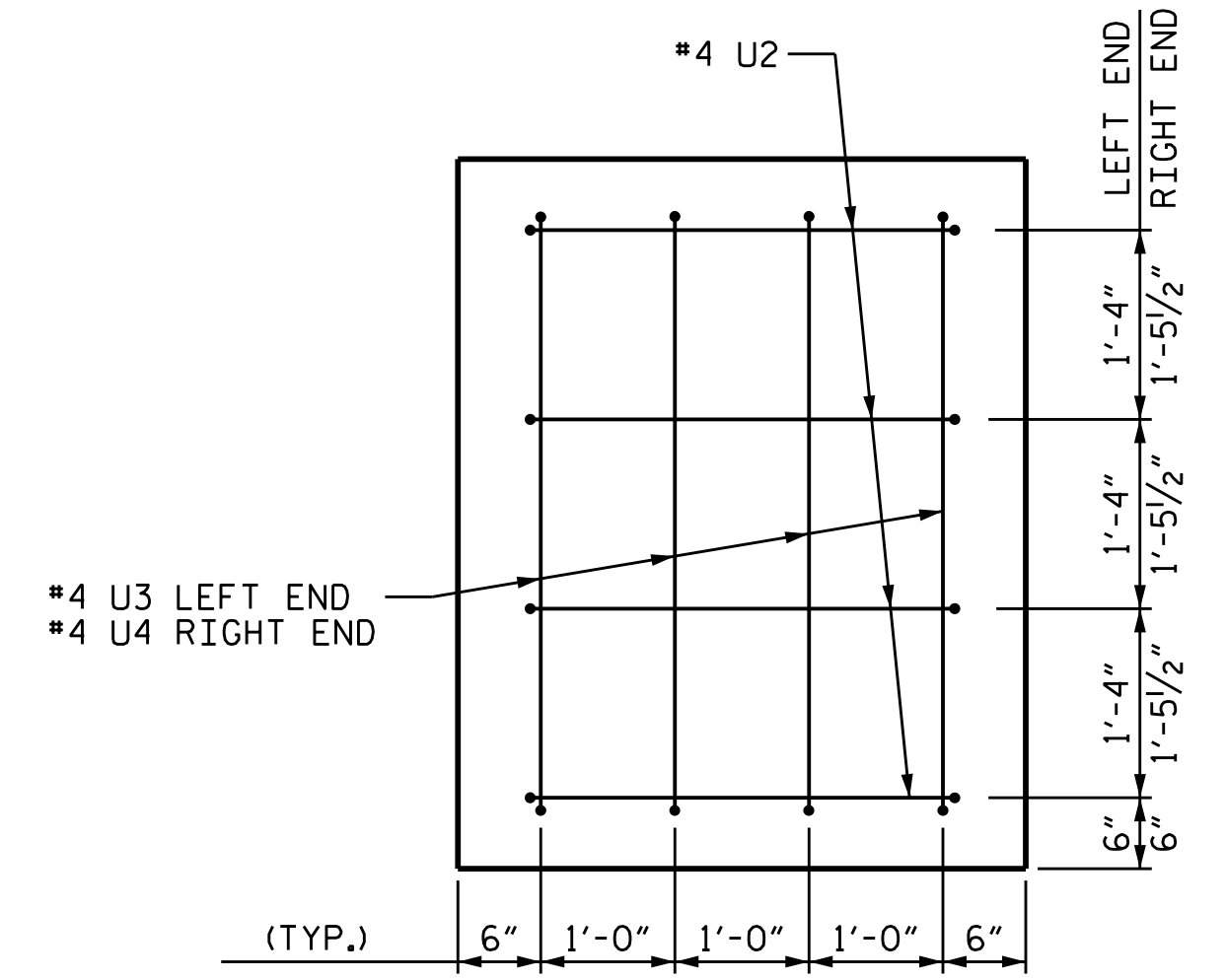


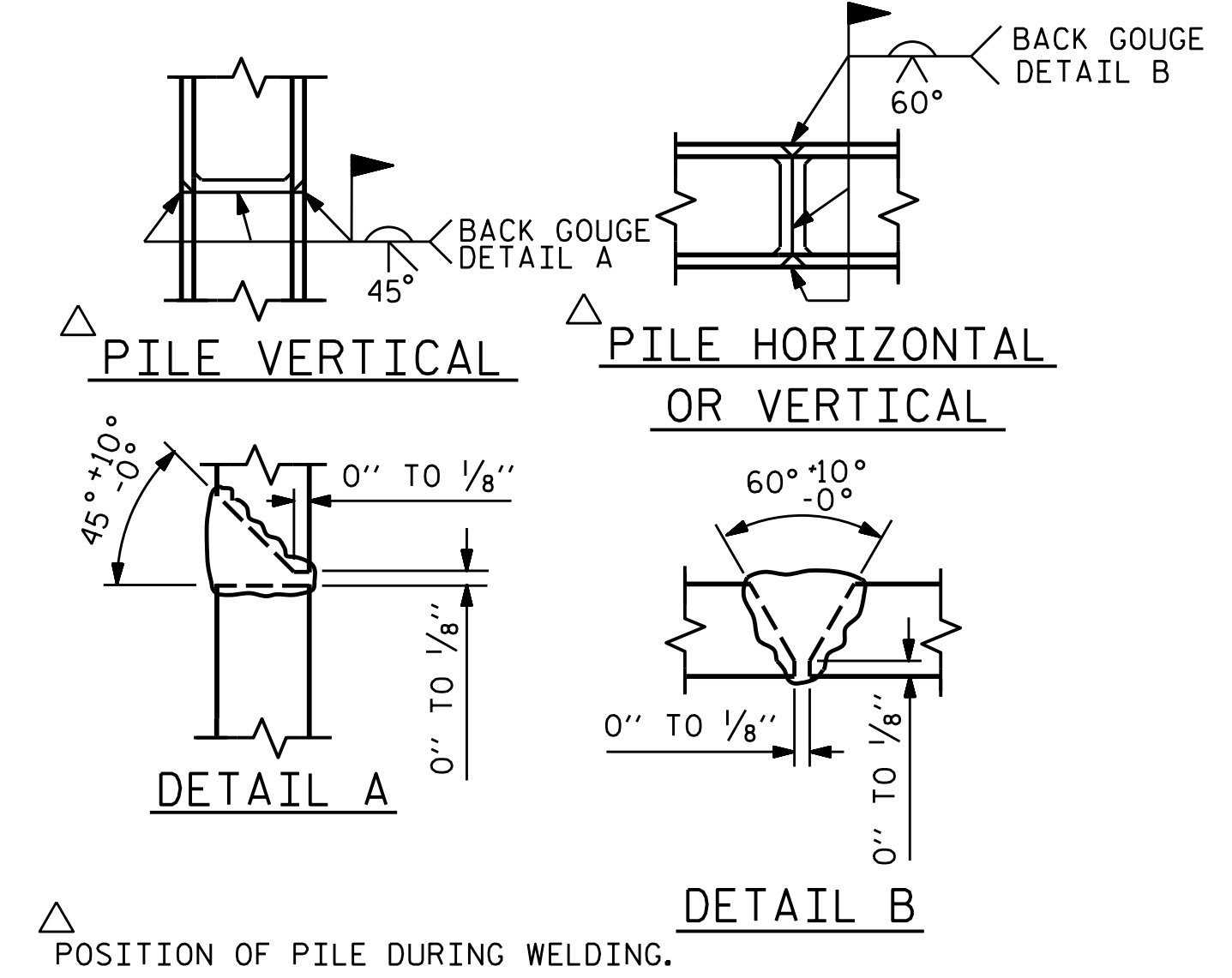
SECTION A-A
* INVERT ALTERNATE STIRRUPS



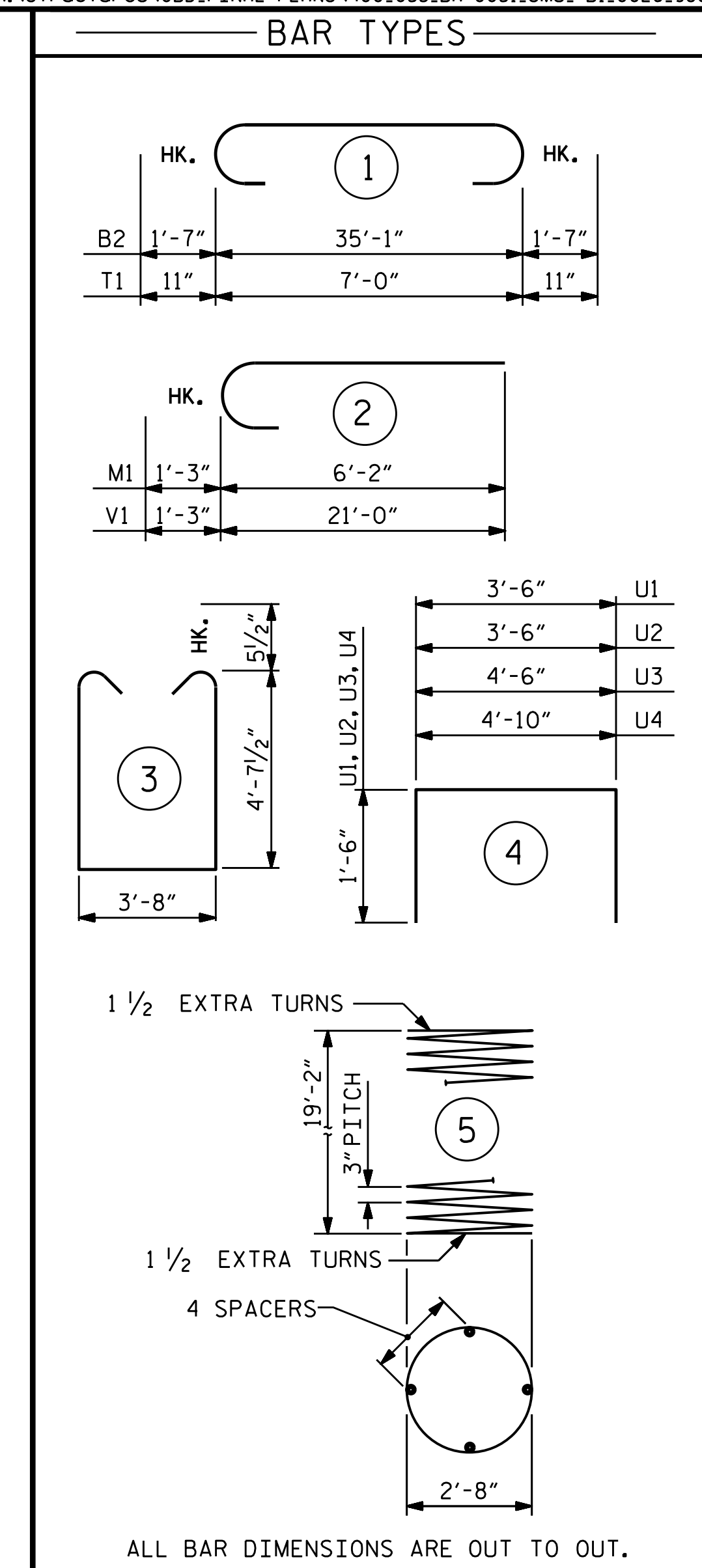
SECTION B-B



ENDS OF CAP DETAIL



PILE SPLICE DETAILS



ALL BAR DIMENSIONS ARE OUT TO OUT.

| BENT 1 | | | | | | |
|--------------------------|-----|------|------|---------|--------|--|
| BAR | NO. | SIZE | TYPE | LENGTH | WEIGHT | |
| B1 | 6 | #11 | STR. | 35'-0" | 1116 | |
| B2 | 6 | #11 | 1 | 38'-2" | 1217 | |
| B3 | 10 | #5 | STR. | 35'-0" | 365 | |
| B4 | 6 | #4 | STR. | 14'-4" | 57 | |
| M1 | 20 | #9 | 2 | 7'-5" | 504 | |
| S1 | 43 | #5 | 3 | 13'-10" | 620 | |
| U1 | 32 | #4 | 4 | 6'-6" | 139 | |
| U2 | 8 | #4 | 4 | 6'-6" | 35 | |
| U3 | 4 | #4 | 4 | 7'-6" | 20 | |
| U4 | 4 | #4 | 4 | 7'-10" | 21 | |
| T1 | 56 | #8 | STR. | 8'-10" | 1321 | |
| T2 | 32 | #6 | STR. | 7'-0" | 336 | |
| V1 | 20 | #9 | 2 | 22'-3" | 1513 | |
| REINFORCING STEEL | | | | 7264 | LBS. | |
| SPIRAL REINFORCING STEEL | | | | 877 | LBS. | |

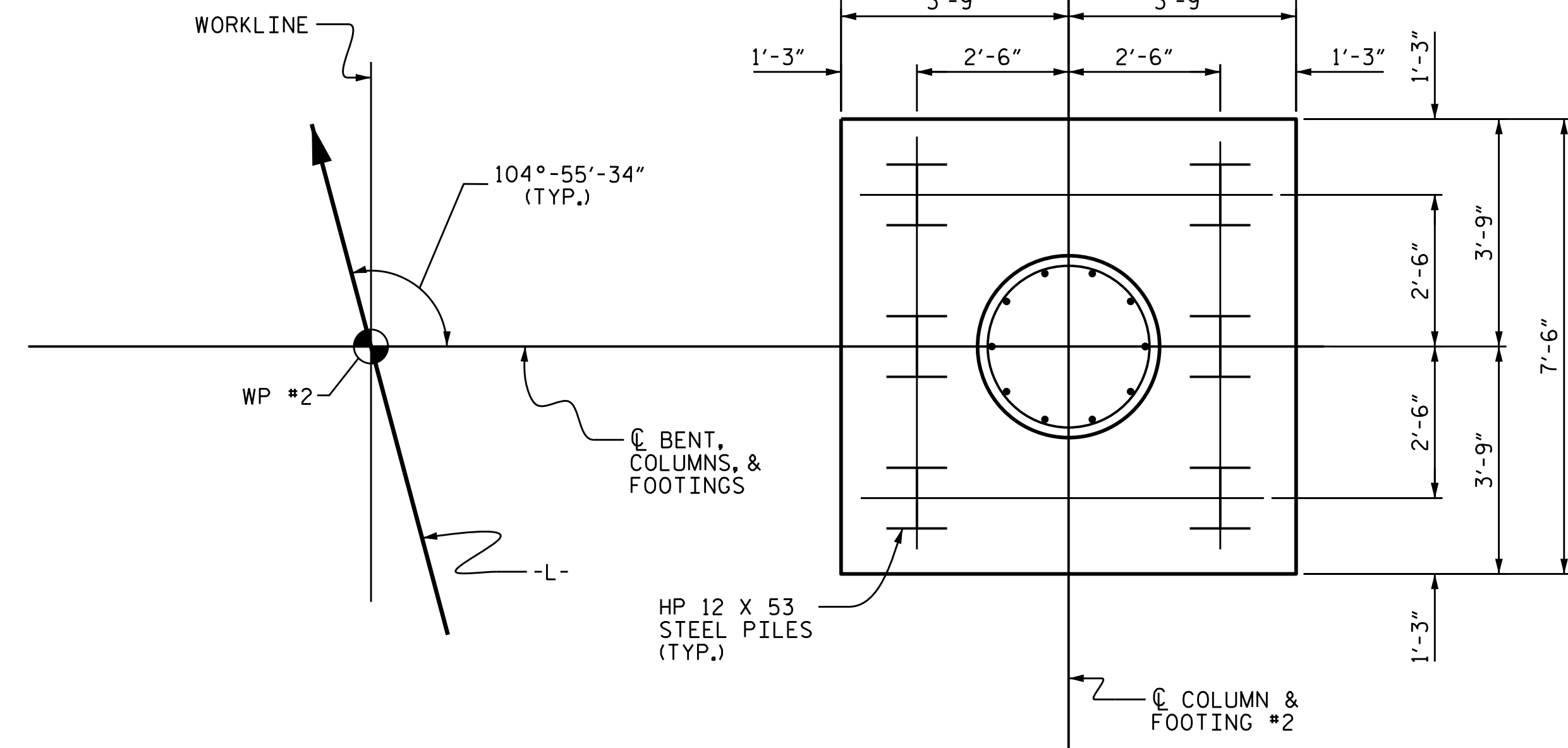
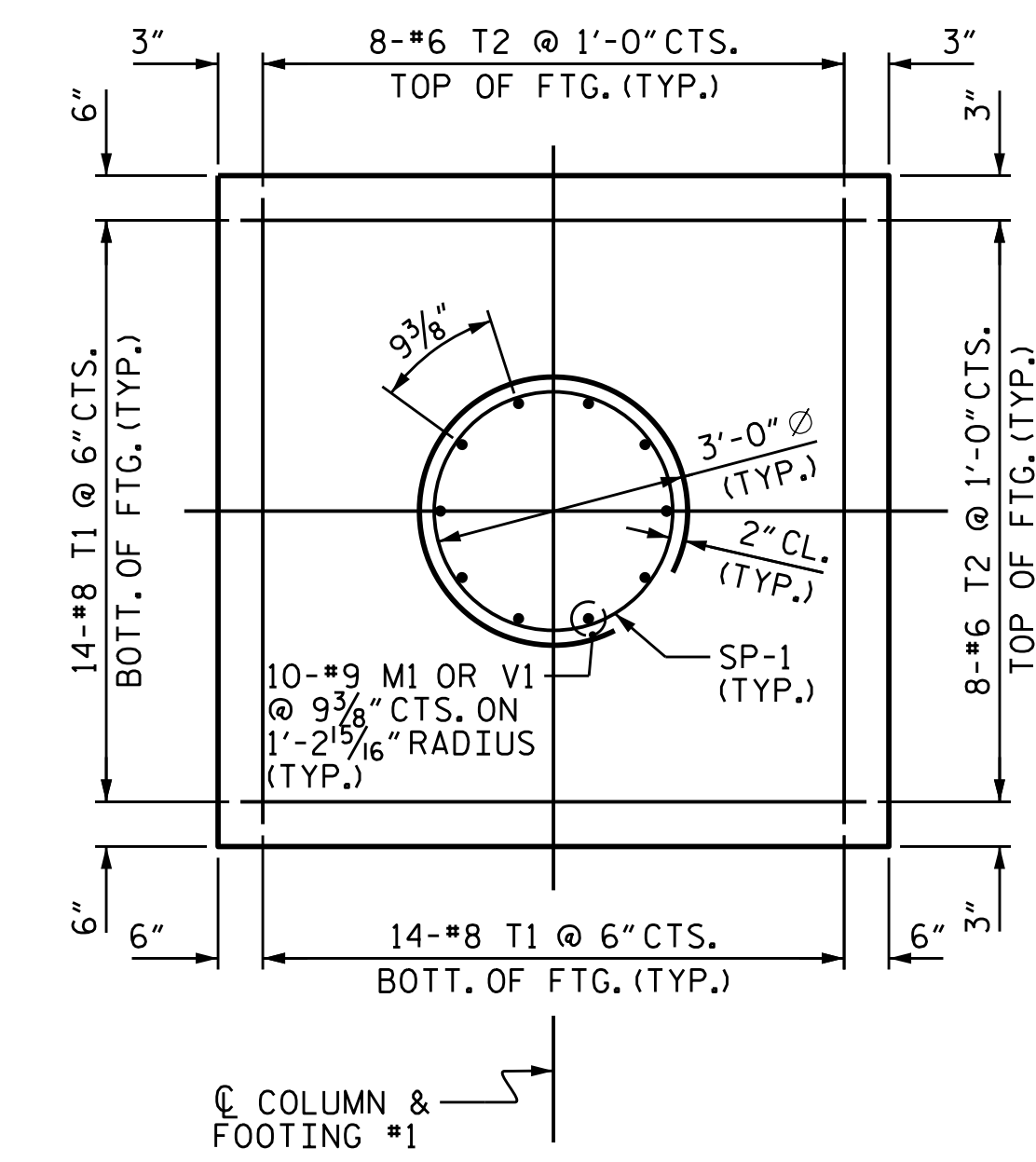
CLASS "A" CONCRETE BREAKDOWN :

| | |
|----------------------------------|------------------|
| POUR 3 (CAP) | 27.1 C.Y. |
| POUR 2 (COLUMN) | 9.9 C.Y. |
| POUR 1 (FOOTING) | 12.5 C.Y. |
| TOTAL CLASS "A" CONCRETE: | 49.5 C.Y. |

| | |
|-----------------------|--------|
| HP 12 X 53 STEEL PILE | |
| No 12 | 540 LF |

FOUNDATION EXCAVATION FOR BENT
LUMP SUM

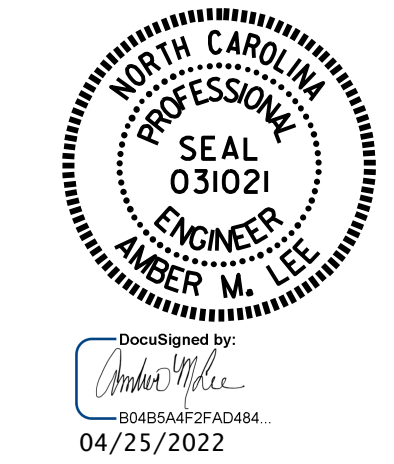
* THE SP-1 SPIRAL REINFORCING STEEL SHALL BE W20 OR D-20 COLD DRAWN WIRE OR #4 PLAIN OR DEFORMED BAR.



PLAN OF FOOTING
(REINFORCING STEEL IS TYPICAL FOR EACH COLUMN & FOOTING)

DRAWN BY : C. RUIZ DATE : 07/2020
 CHECKED BY : H.A. LOCKLEAR DATE : 03/2022
 DESIGN ENGINEER OF RECORD: E. BAYISSA DATE : 09/2020

DOCUMENT NOT CONSIDERED FINAL UNLESS ALL SIGNATURES COMPLETED



PROJECT NO. BR-0051
 YADKIN COUNTY
 STATION: 18+34.78 -L-

SHEET 2 OF 2

| REVISIONS | | | | | | SHEET NO. |
|-----------|-----|-------|-----|-----|-------|--------------|
| NO. | BY: | DATE: | NO. | BY: | DATE: | S-26 |
| 1 | | | 3 | | | TOTAL SHEETS |
| 2 | | | 4 | | | 32 |