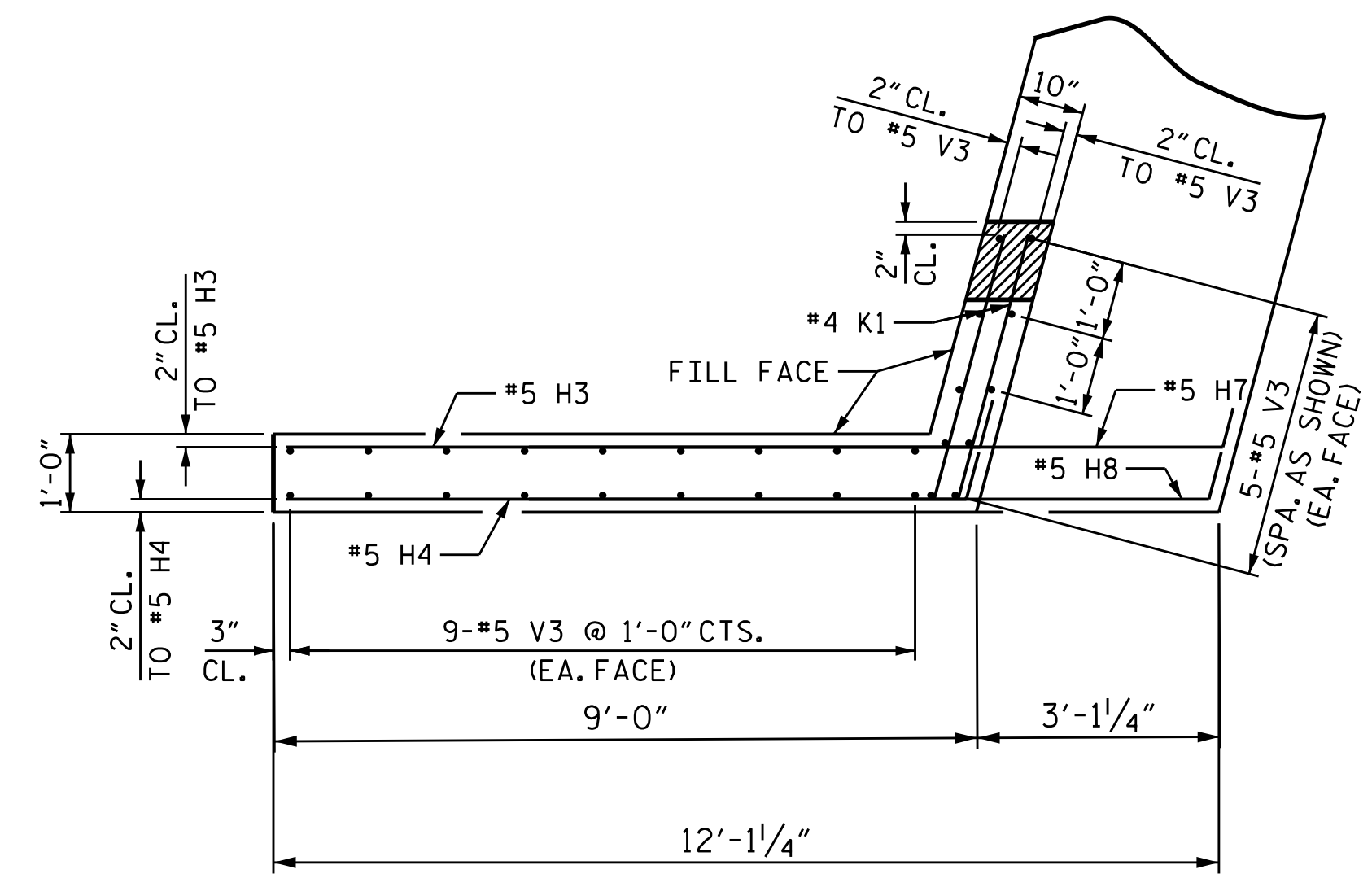
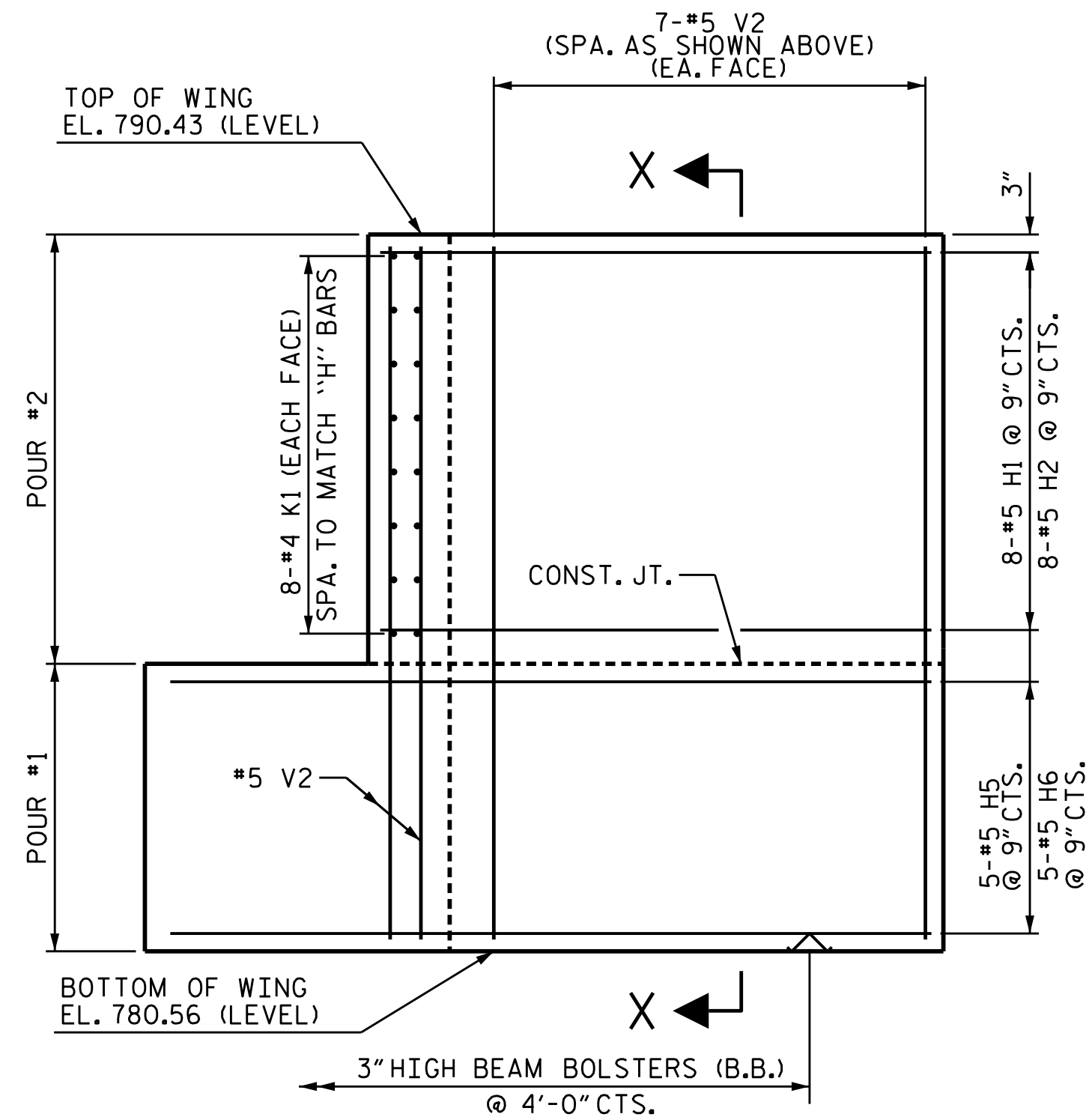


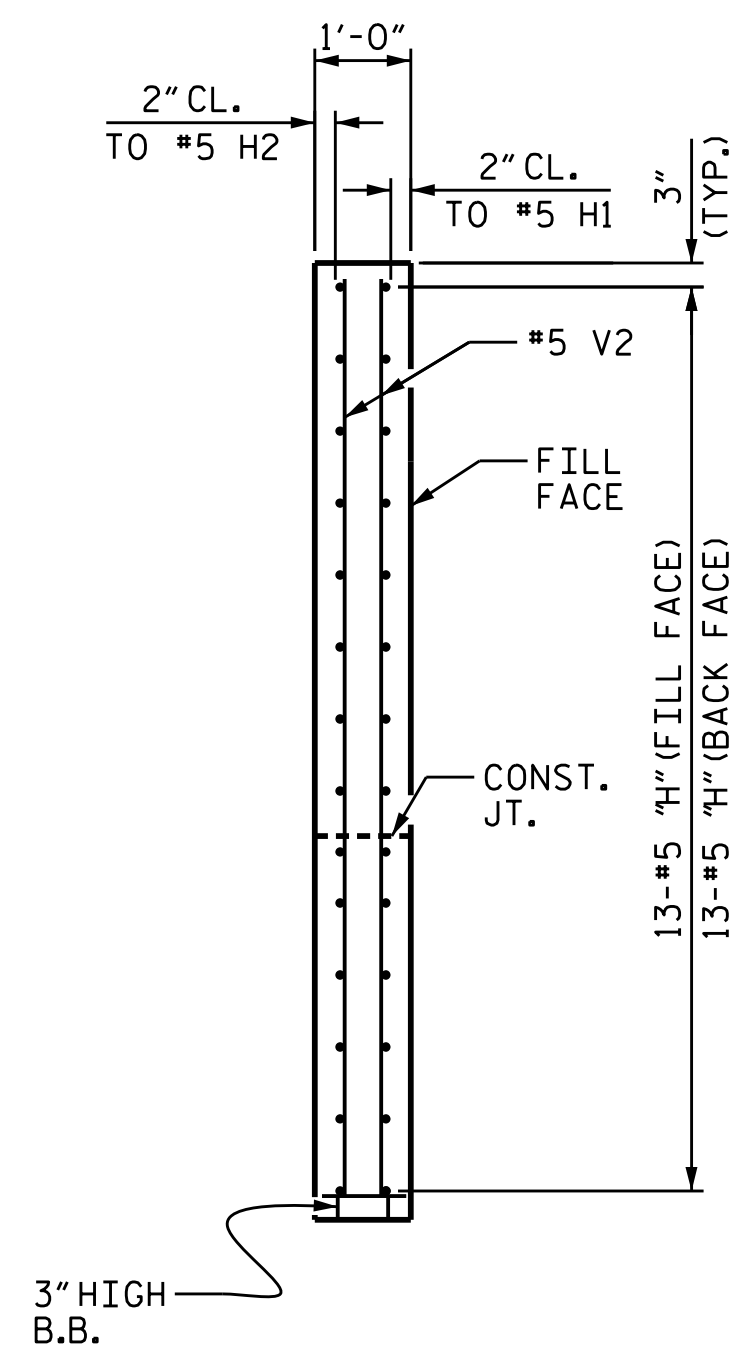
PLAN OF LEFT WING - W1



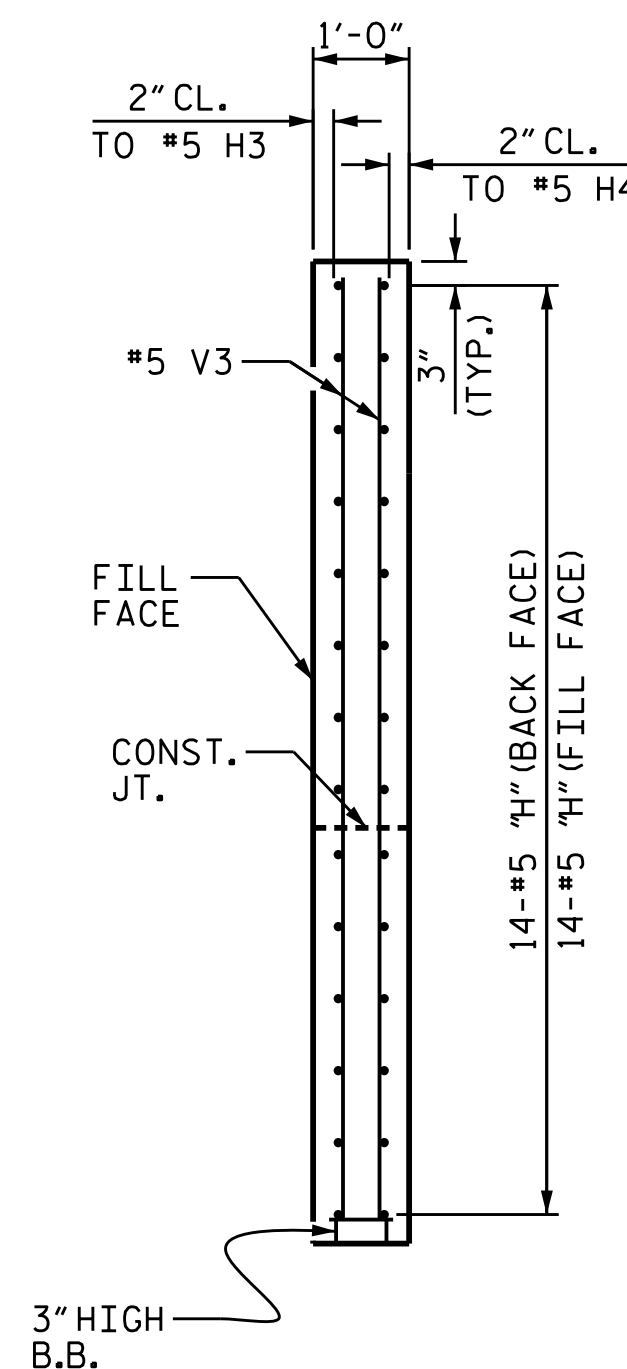
PLAN OF RIGHT WING - W2



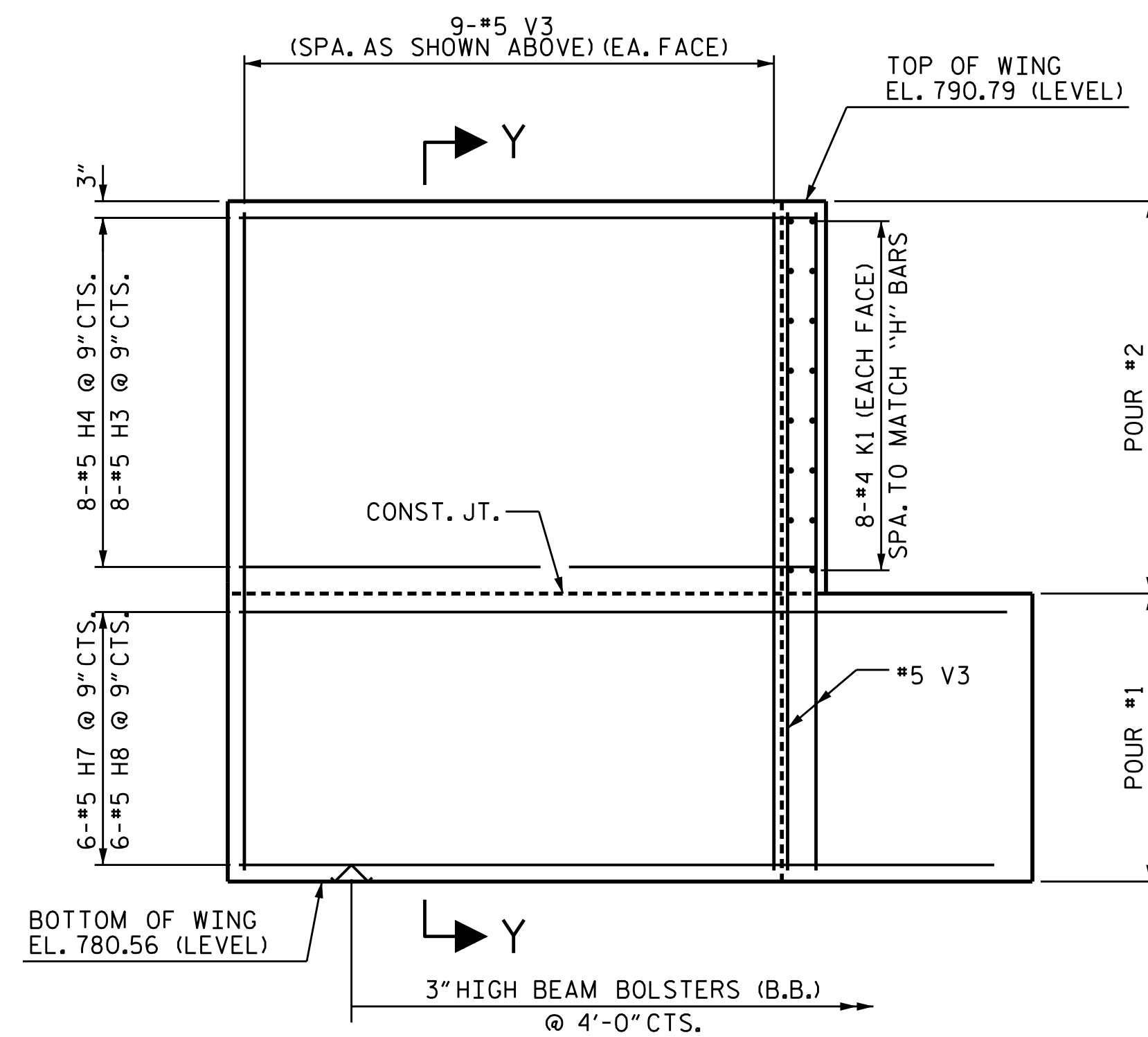
ELEVATION OF LEFT WING - W1



SECTION X-X



SECTION Y-Y



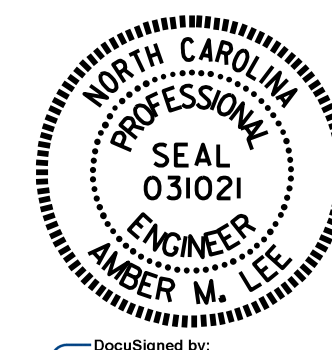
ELEVATION OF RIGHT WING - W2

PROJECT NO. BR-0051
 YADKIN COUNTY
 STATION: 18+34.78 -L-

SHEET 2 OF 3

STATE OF NORTH CAROLINA
 DEPARTMENT OF TRANSPORTATION
 RALEIGH

SUBSTRUCTURE
 INTEGRAL
 END BENT 1



Designed by
 Amber M. Lee
 04/25/2022

DRAWN BY : C. RUIZ DATE : 09/2020
 CHECKED BY : H.A. LOCKLEAR DATE : 03/2022
 DESIGN ENGINEER OF RECORD: E. BAYSSIA DATE : -

4/25/2022
 R:\Structures\OBD.FINAL PLANS\400.047.BR-0051.SMU. E1.0023.980090.dgn
 omlee

DOCUMENT NOT CONSIDERED
 FINAL UNLESS ALL
 SIGNATURES COMPLETED

REVISIONS						SHEET NO.
NO.	BY:	DATE:	NO.	BY:	DATE:	S-23
1			3			TOTAL SHEETS 32
2			4			