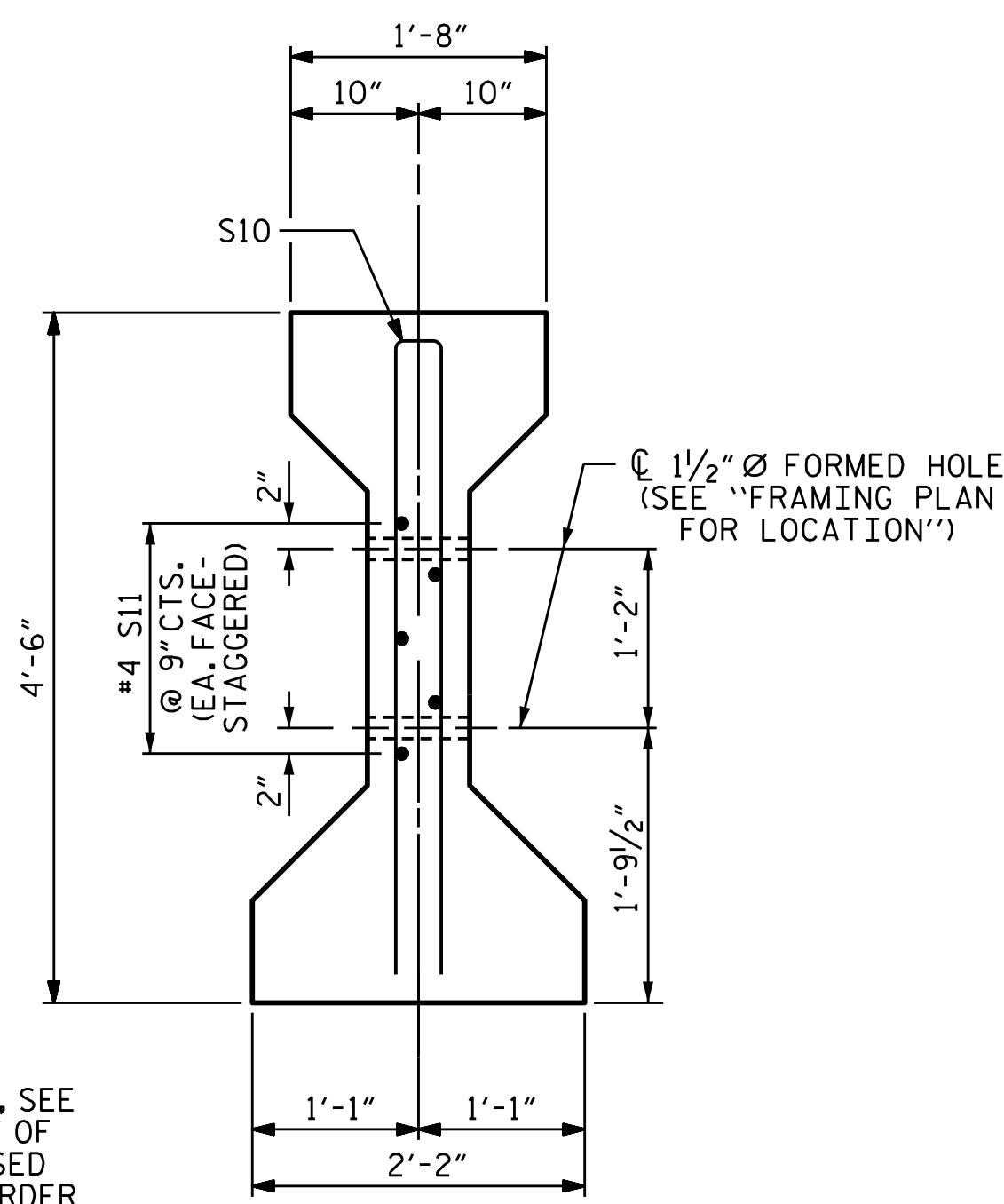


SECTION A-A

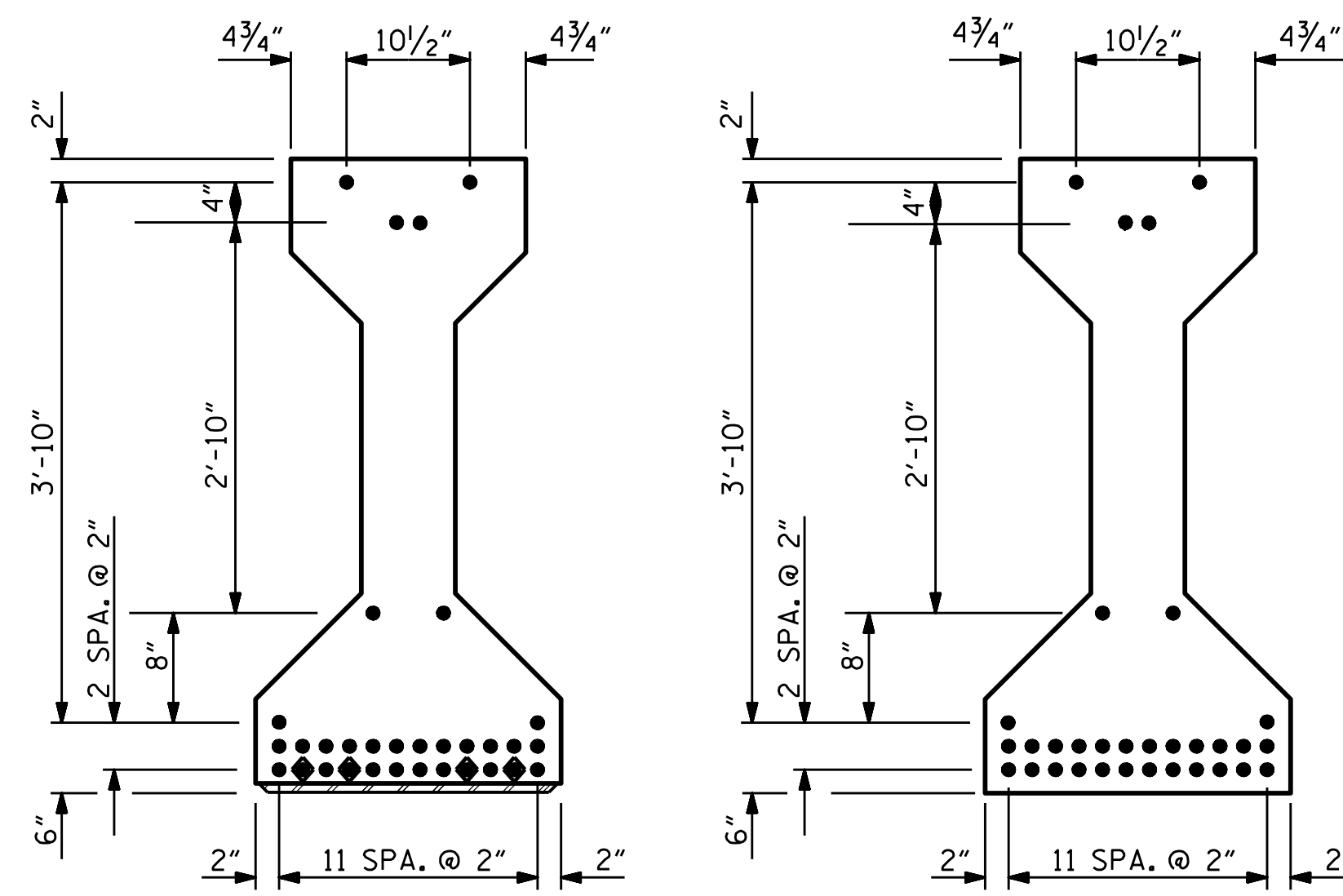
SECTION B-B

\* FOR S7 BARS, SEE  
DETAIL "A" OF  
"PRESTRESSED  
CONCRETE GIRDER  
CONTINUOUS FOR LIVE  
LOAD DETAILS" SHEET



SECTION C-C

(S1 BARS NOT SHOWN)

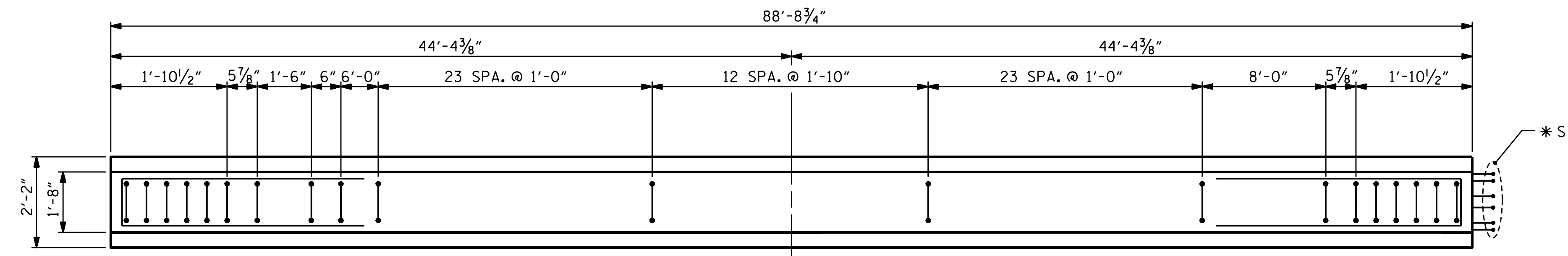


AT END OF GIRDER

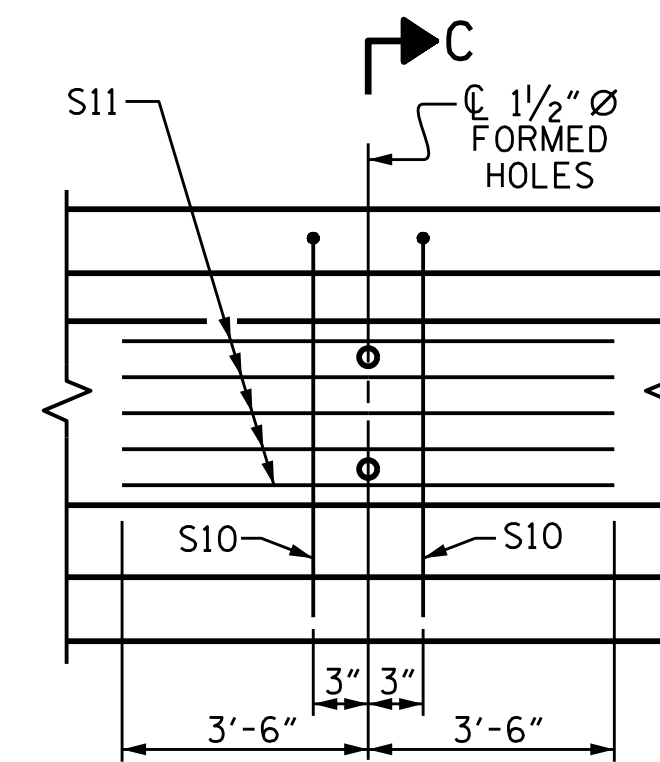
AT C OF GIRDER

0.6" Ø LOW RELAXATION STRAND LAYOUT

- FULLY BONDED STRANDS
- ◆ STRANDS DEBONDED FOR 10'-0" FROM END OF GIRDER

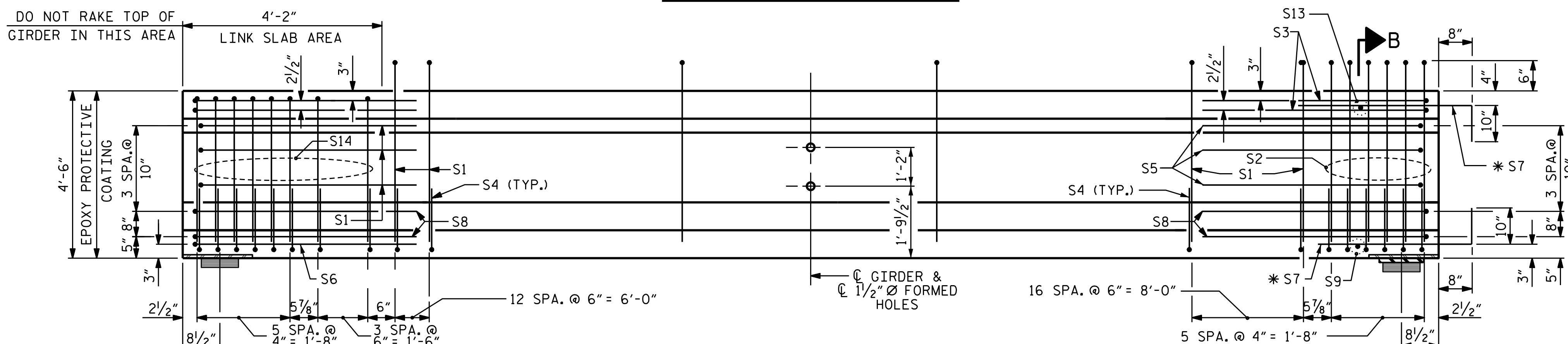


PLAN OF GIRDER



PARTIAL ELEVATION

SHOWING INTERMEDIATE DIAPHRAGM  
REINFORCING STEEL FOR SPAN B GIRDERS.



ELEVATION OF GIRDER

(SEE PARTIAL ELEVATION FOR ADDITIONAL "S" BARS)

INTEGRAL END BENT

0.6" Ø L. R. GRADE 270 STRANDS

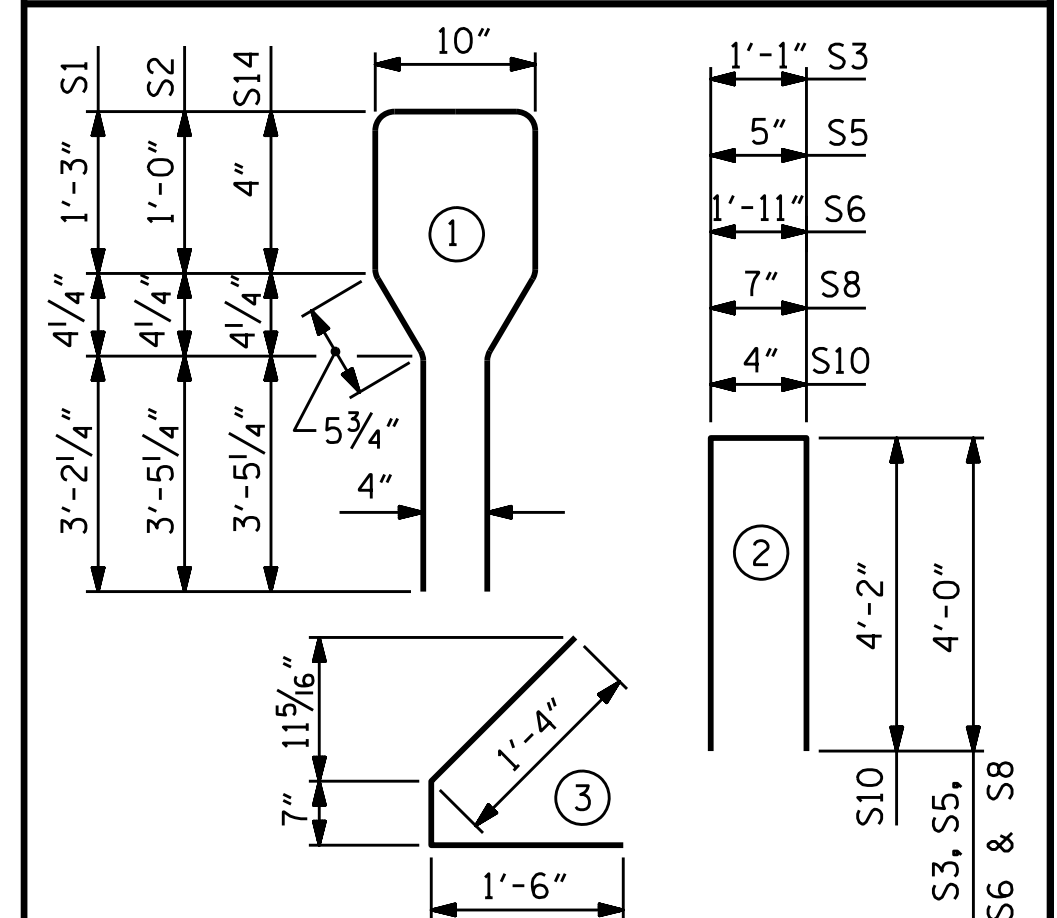
AREA (SQUARE INCHES)	ULTIMATE STRENGTH (LBS. PER STRAND)	APPLIED PRESTRESS (LBS. PER STRAND)
0.217	58,600	43,950

REINFORCING STEEL FOR ONE GIRDER					
BAR	NUMBER	SIZE	TYPE	LENGTH	WEIGHT
S1	87	#4	1	10'-8"	620
S2	6	#6	1	10'-8"	96
S3	4	#4	2	9'-1"	24
S4	92	#4	3	3'-5"	210
S5	6	#4	2	8'-5"	34
S6	1	#4	2	9'-11"	7
*S7	12	#5	STR	3'-8"	46
S8	4	#4	2	8'-7"	23
S9	2	#3	STR	1'-10"	1
S10	2	#5	2	8'-8"	18
S11	5	#4	STR	7'-0"	23
S13	1	#3	STR	1'-4"	1
S14	10	#6	1	9'-4"	140

\* NOTE: S7 BARS SHALL BE BENT BEFORE SHIPMENT. HEAT BENDING SHALL NOT BE ALLOWED.

BAR TYPES



ALL BAR DIMENSIONS ARE OUT-TO-OUT.

QUANTITIES FOR ONE GIRDER

REINFORCING STEEL	6,500 PSI CONCRETE	0.6" Ø L. R. STRANDS
LBS.	C.Y.	No.
1,243	18.0	32

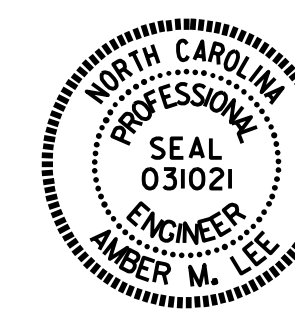
GIRDERS REQUIRED		
NUMBER	LENGTH	TOTAL LENGTH
4	88'-8 3/4"	354'-11"

PROJECT NO. BR-0051

YADKIN COUNTY

STATION: 18+34.78-L-

SHEET 2 OF 2



STATE OF NORTH CAROLINA  
DEPARTMENT OF TRANSPORTATION  
RALEIGH  
STANDARD  
AASHTO TYPE IV  
PRESTRESSED CONCRETE GIRDER  
CONTINUOUS FOR LIVE LOAD  
SPAN B

ASSEMBLED BY : M. G. SHAIKH DATE : 02-2020  
CHECKED BY : H.A. LOCKLEAR DATE : 03-2022  
DRAWN BY : ELR 8/91  
CHECKED BY : GRP 8/91

REV. 5/1/06R TLA/GM  
REV. 10/1/11 MAA/GM  
REV. 1/15 MAA/TMG

DOCUMENT NOT CONSIDERED  
FINAL UNLESS ALL  
SIGNATURES COMPLETED

REVISIONS						SHEET NO.
NO.	BY:	DATE:	NO.	BY:	DATE:	S-12
1			3			TOTAL SHEETS
2			4			32