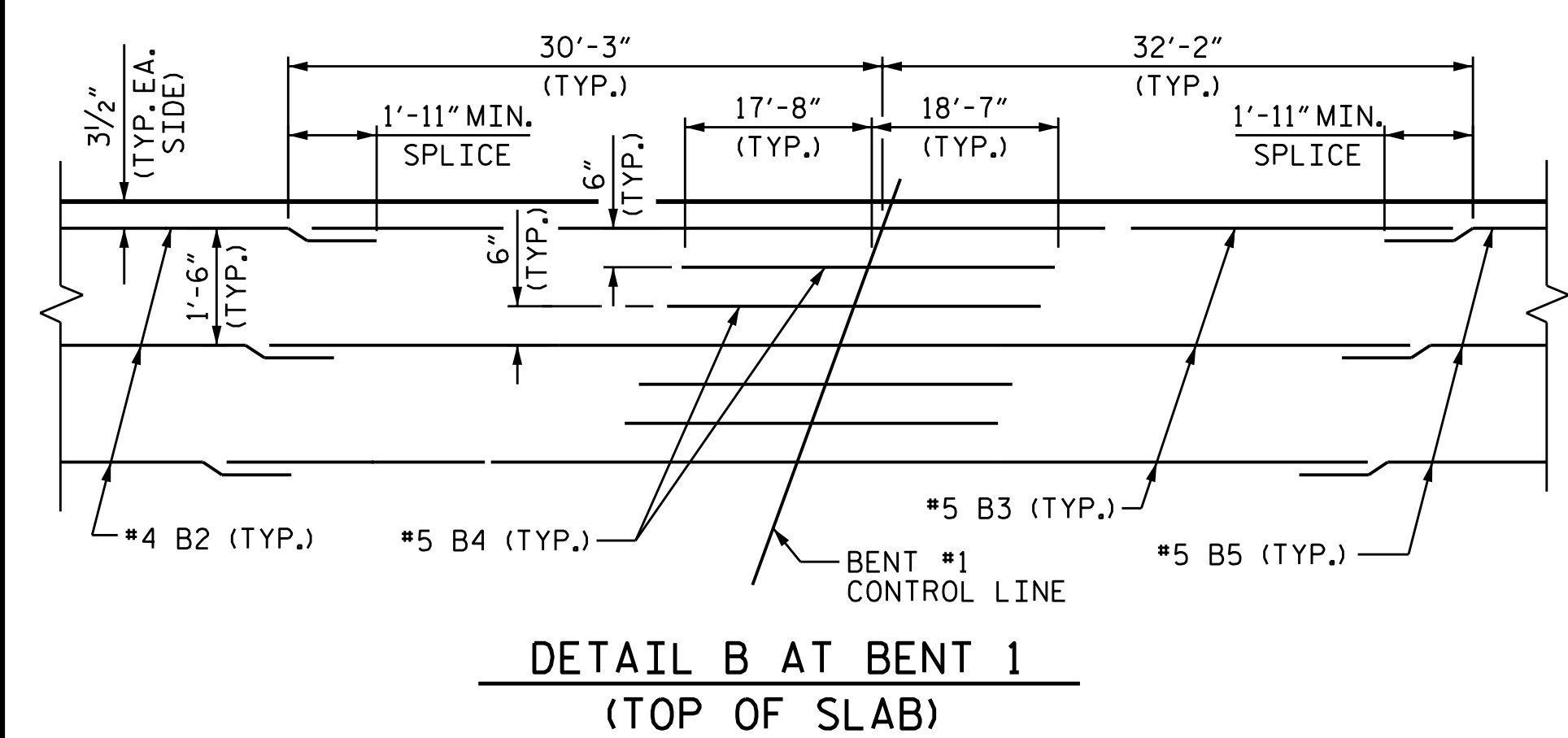
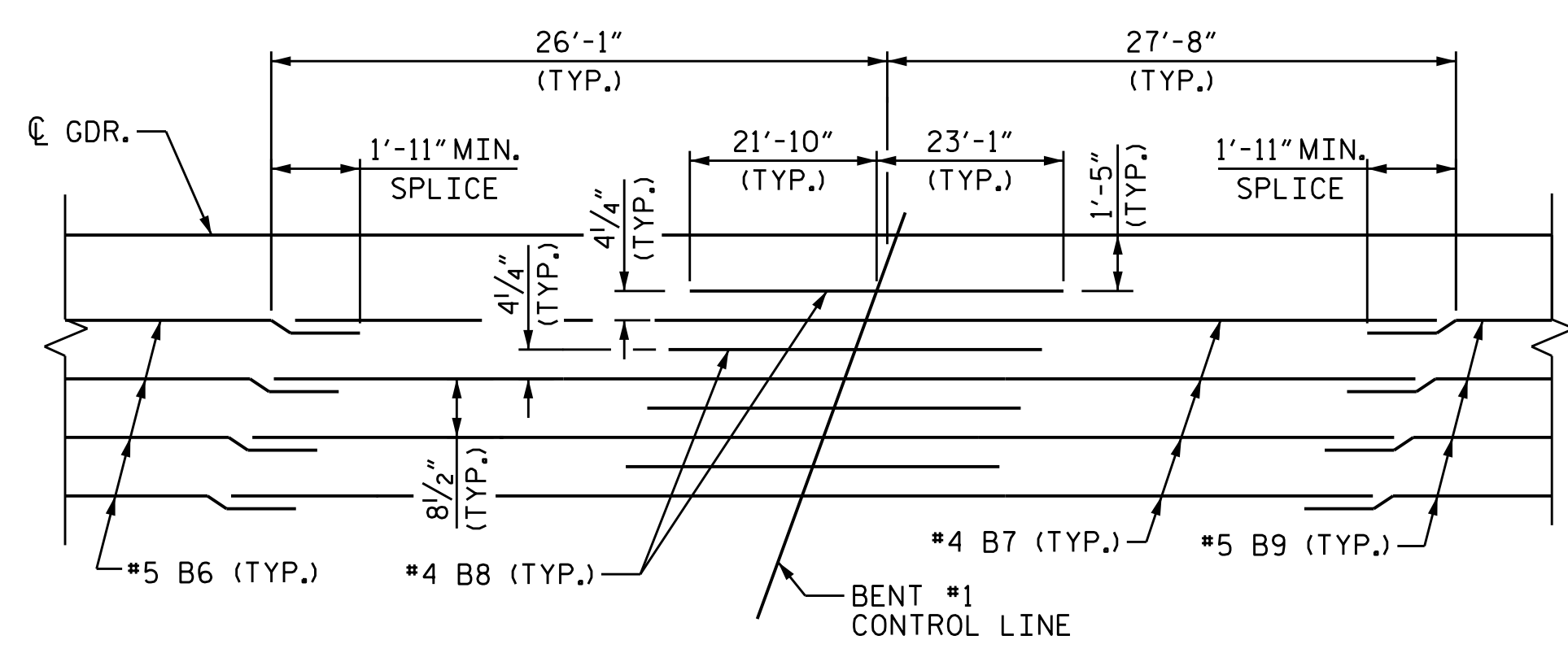


PLAN OF SPAN B

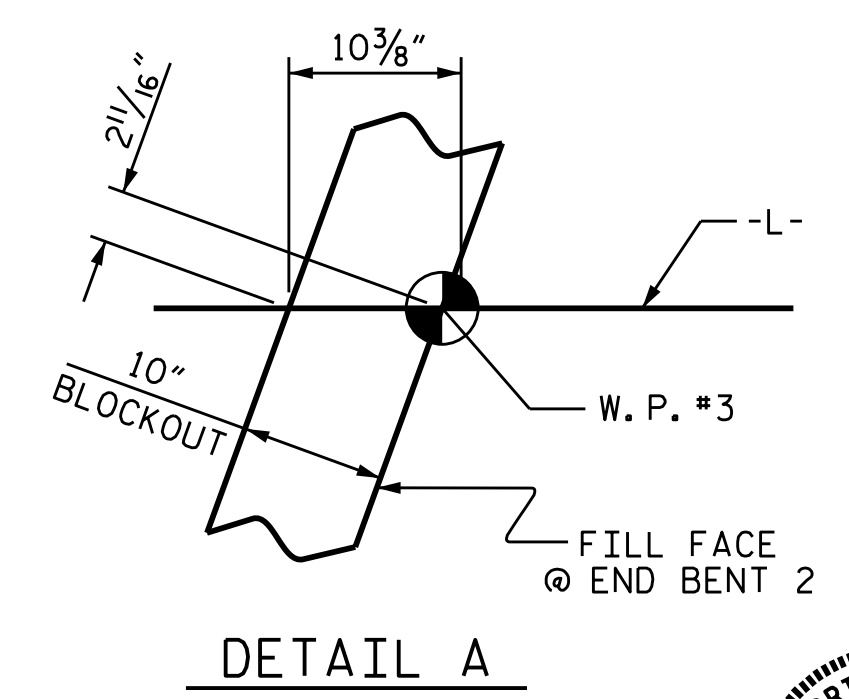
FOR INTERMEDIATE STEEL DIAPHRAGMS, SEE "INTERMEDIATE STEEL DIAPHRAGMS" SHEET.



**DETAIL B AT BENT 1
(TOP OF SLAB)**



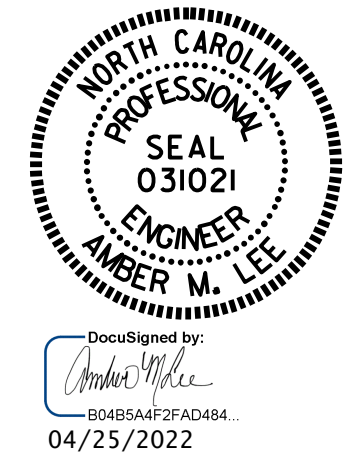
**DETAIL C AT BENT 1
(BOTTOM OF SLAB)**



DETAIL A

PROJECT NO. BR-0051
YADKIN COUNTY
 STATION: 18+34.78 -L-

SHEET 2 OF 2



STATE OF NORTH CAROLINA
 DEPARTMENT OF TRANSPORTATION
 RALEIGH

PLAN OF SPAN B

DRAWN BY : M. G. SHAIKH DATE : 01/2022
 CHECKED BY : H.A. LOCKLEAR DATE : 03/2022
 DESIGN ENGINEER OF RECORD: E. BAYISSA DATE : 08/2019

DOCUMENT NOT CONSIDERED
 FINAL UNLESS ALL
 SIGNATURES COMPLETED

REVISIONS						SHEET NO.
NO.	BY:	DATE:	NO.	BY:	DATE:	S-9
1			3			TOTAL SHEETS
2			4			32