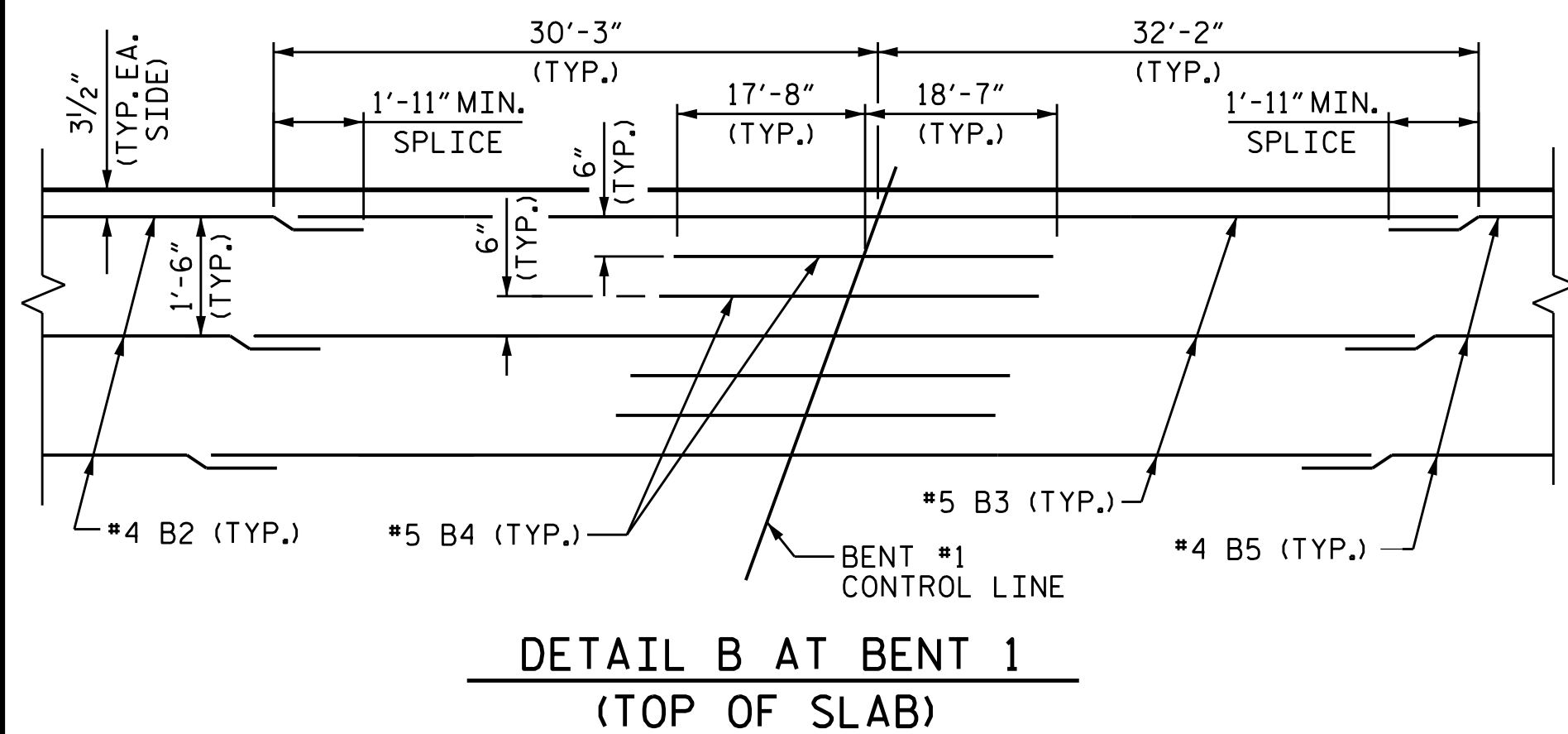
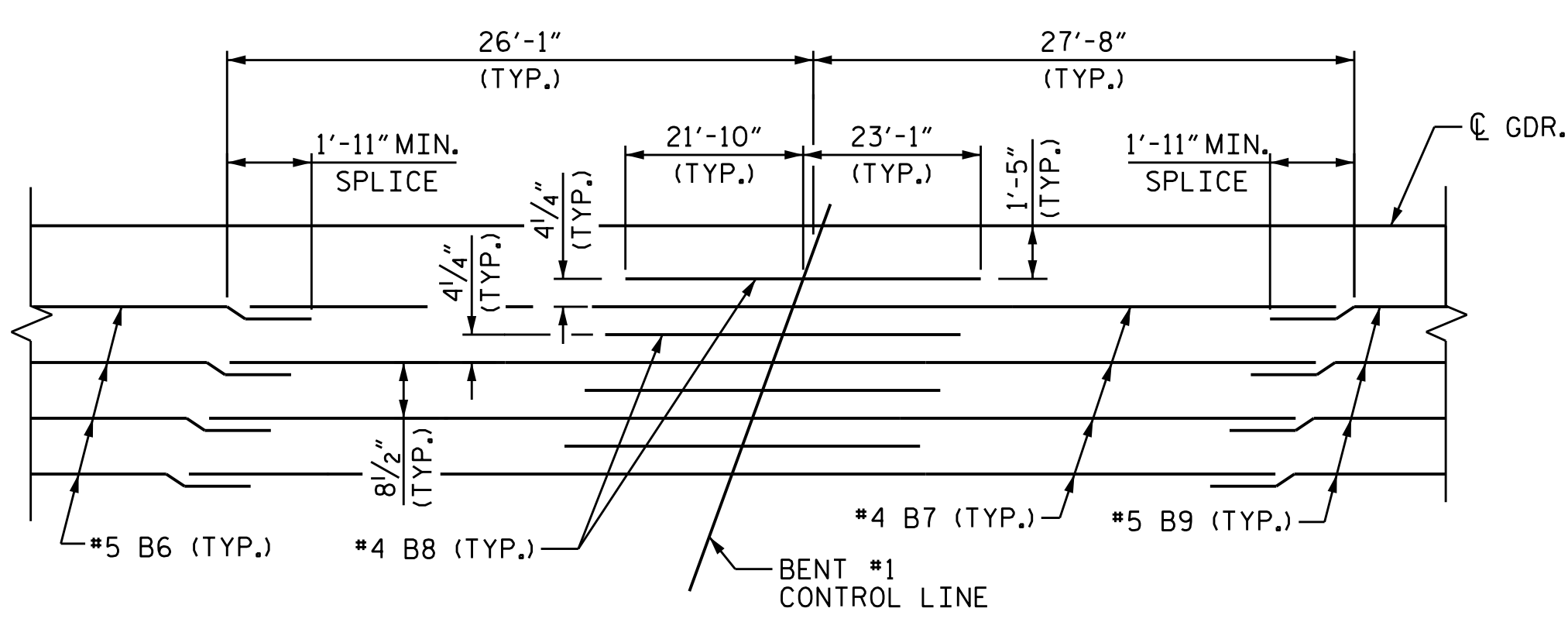


PLAN OF SPAN A

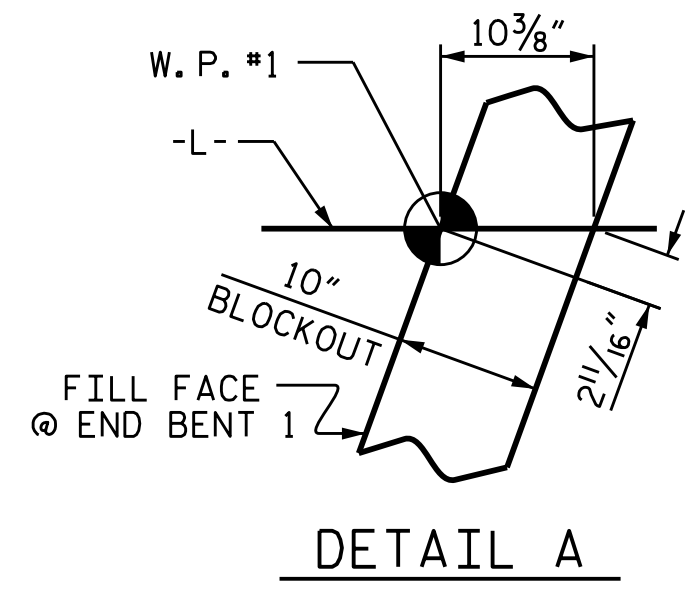
FOR INTERMEDIATE STEEL DIAPHRAGMS, SEE "INTERMEDIATE STEEL DIAPHRAGMS" SHEET.



**DETAIL B AT BENT 1
(TOP OF SLAB)**



**DETAIL C AT BENT 1
(BOTTOM OF SLAB)**

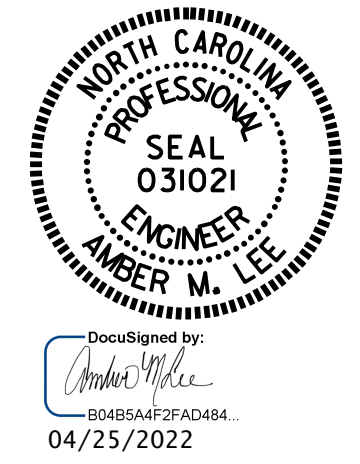


DETAIL A

DRAWN BY : M. G. SHAIKH DATE : 01/2022
 CHECKED BY : H.A. LOCKLEAR DATE : 03/2022
 DESIGN ENGINEER OF RECORD: E. BAYISSA DATE : 08/2019

4/25/2022 RAS\Structures\OBD.FINAL PLANS\400.017.BR-0051.SMU. S*.008.980090.dgn
 omlee

DOCUMENT NOT CONSIDERED
 FINAL UNLESS ALL
 SIGNATURES COMPLETED



PROJECT NO. BR-0051
 YADKIN COUNTY
 STATION: 18+34.78 -L-

SHEET 1 OF 2

STATE OF NORTH CAROLINA
 DEPARTMENT OF TRANSPORTATION
 RALEIGH

PLAN OF SPAN A

REVISIONS						SHEET NO.
NO.	BY:	DATE:	NO.	BY:	DATE:	S-8
1			3			TOTAL SHEETS
2			4			32