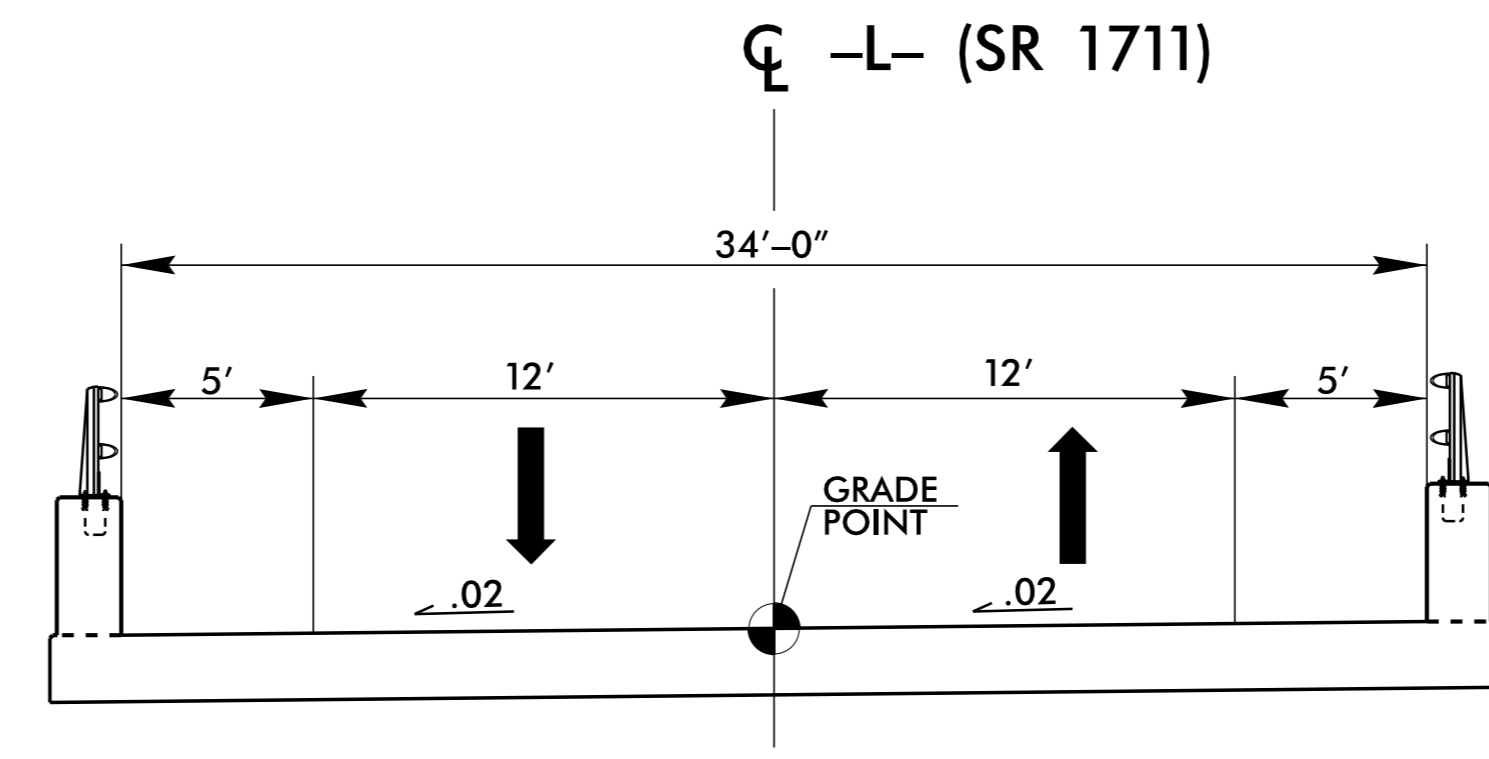
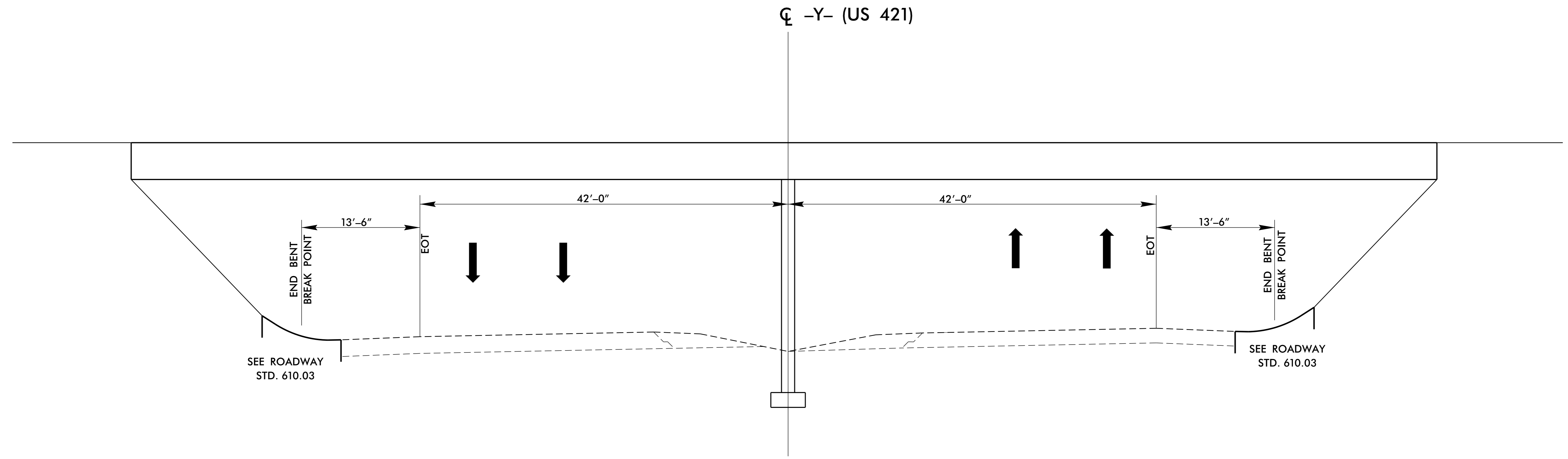


PROJECT REFERENCE NO. <i>BR-0051</i>	SHEET NO. <i>2A-2</i>
ROADWAY DESIGN ENGINEER NORTH CAROLINA PROFESSIONAL SEAL 025878 PERRY E. CALHOUN 3/21/2022	PAVEMENT DESIGN ENGINEER NORTH CAROLINA PROFESSIONAL SEAL 022896 CLARK S. MORRISON 3/22/2022
DOCUMENT NOT CONSIDERED FINAL UNLESS ALL SIGNATURES COMPLETED	



TYPICAL SECTION ON STRUCTURE



TYPICAL SECTION ON ROADWAY UNDER STRUCTURE

6/2/2022

14 MAR 2022 11:21 \\BR0051_Rdy_4yp.dgn
PERRY E. CALHOUN