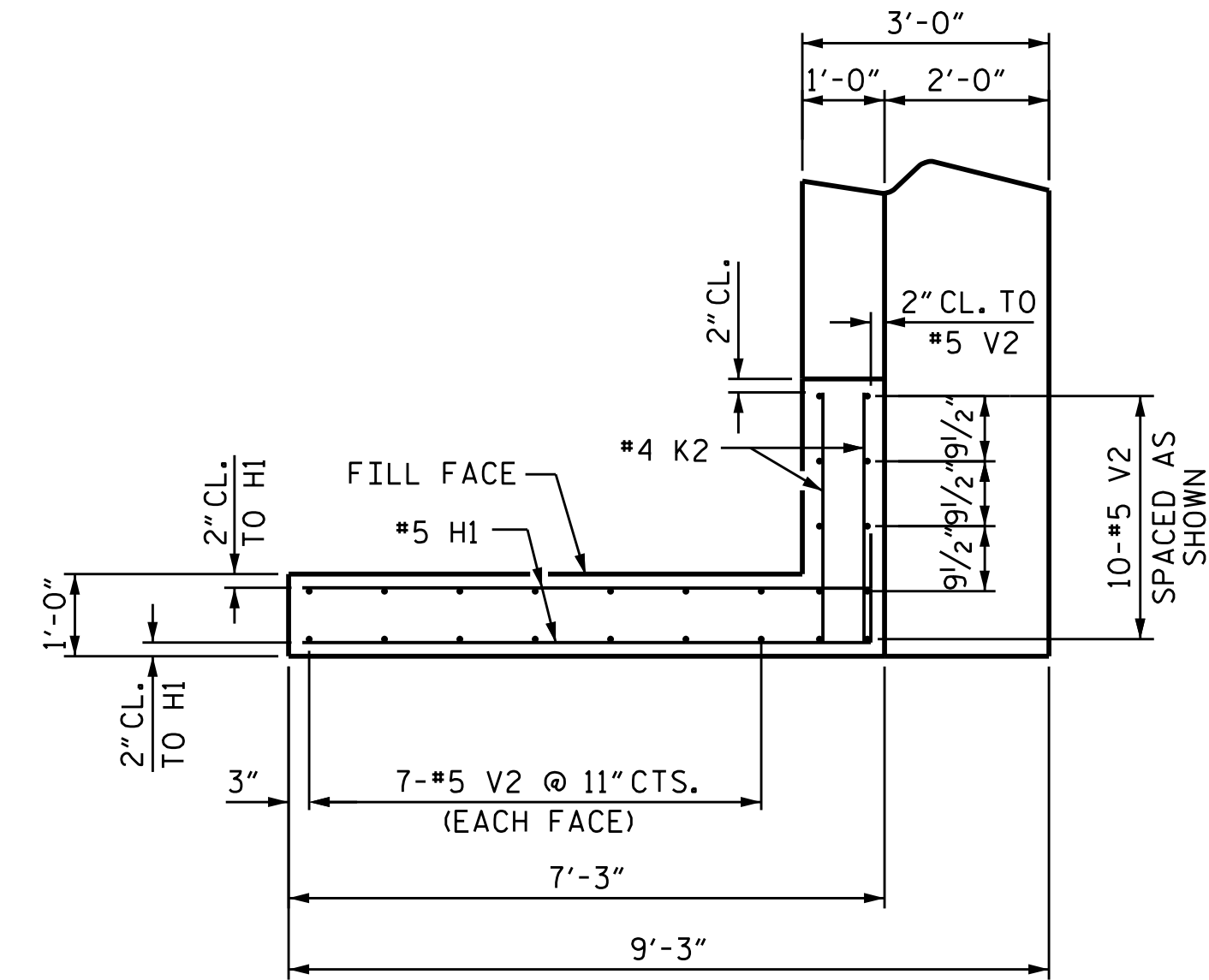
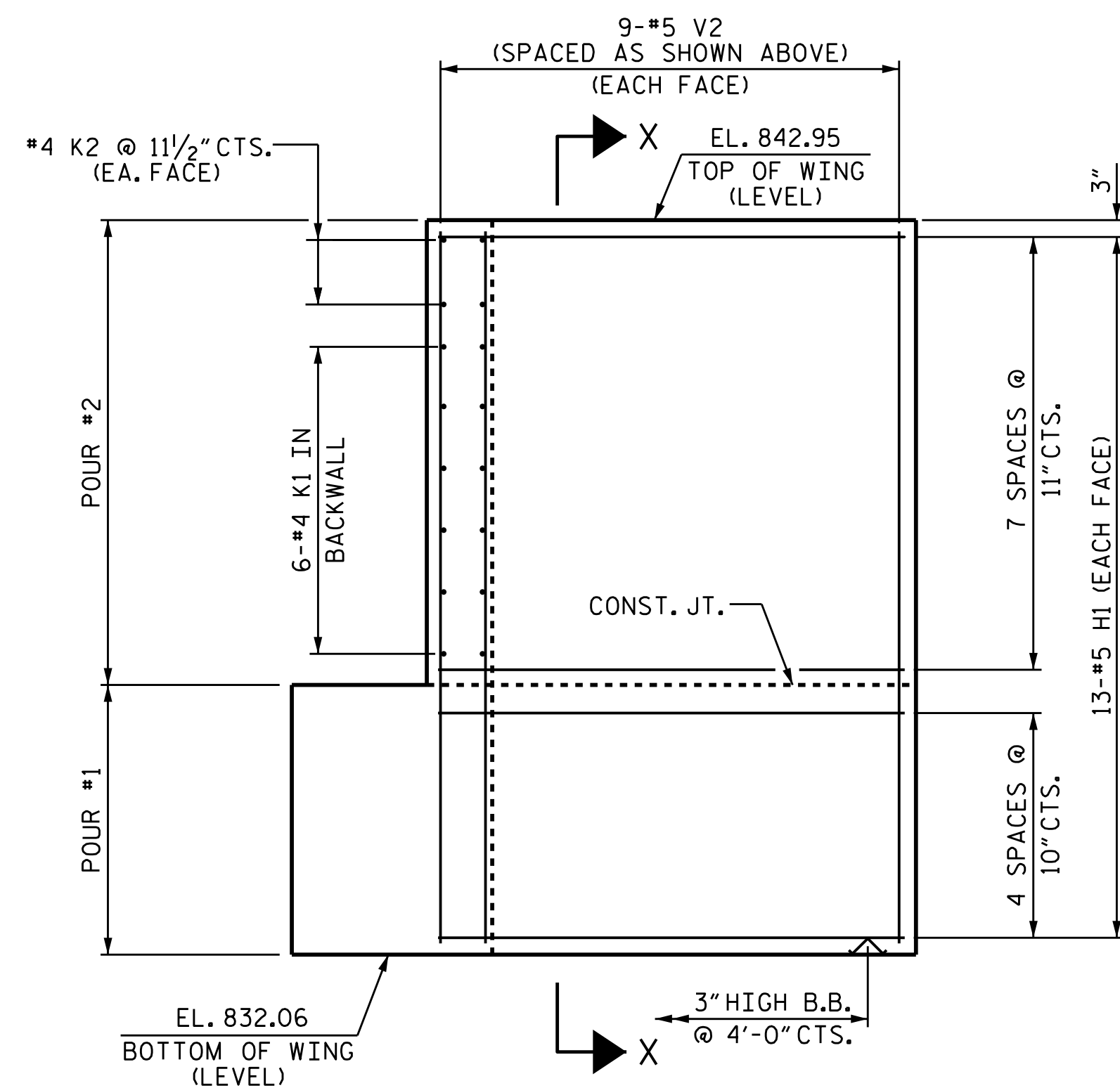


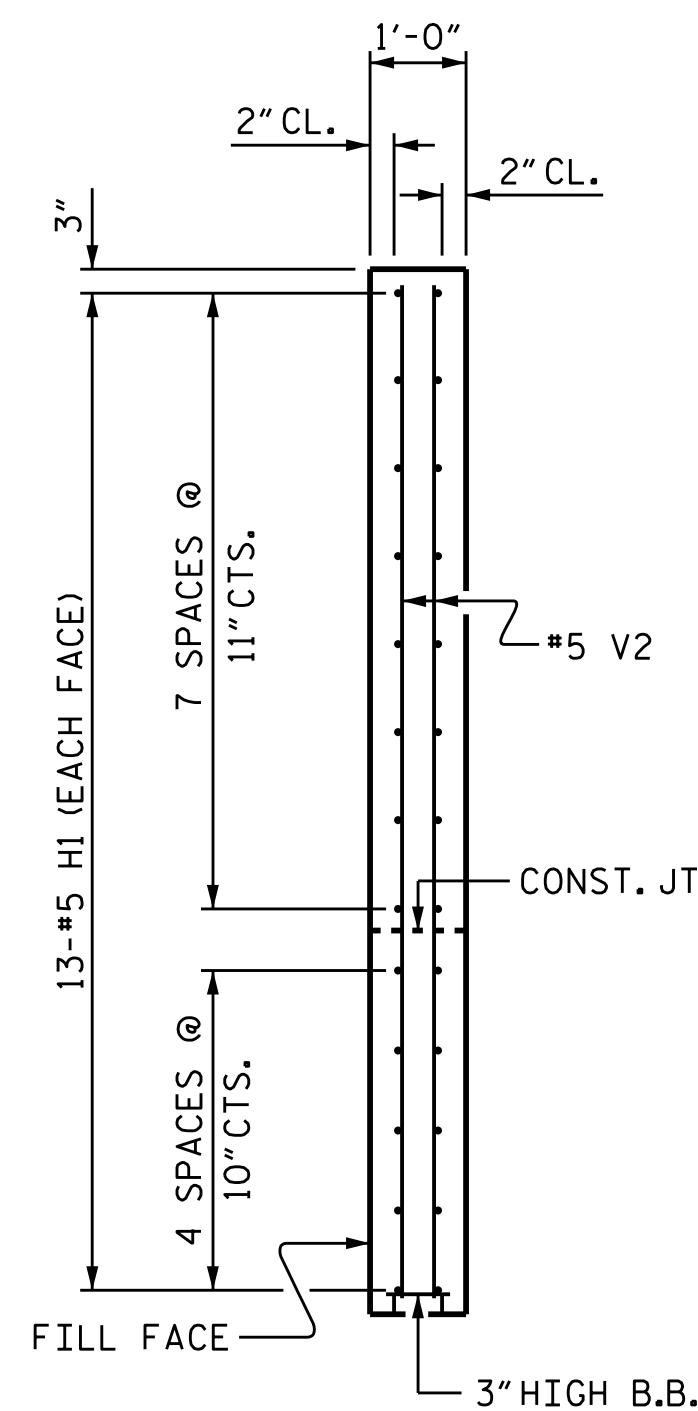
PLAN OF WING W1



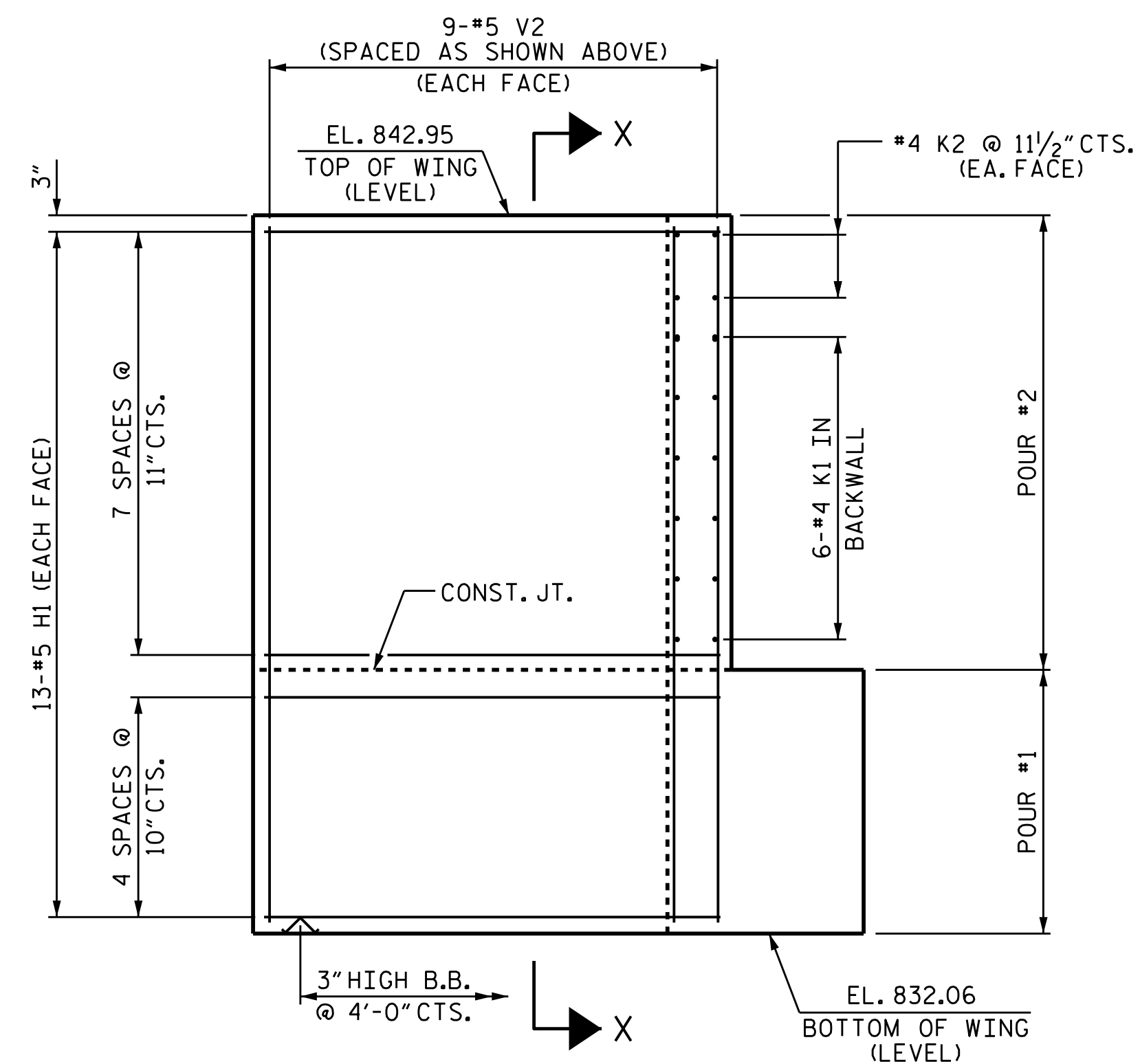
PLAN OF WING W2



ELEVATION OF WING W1



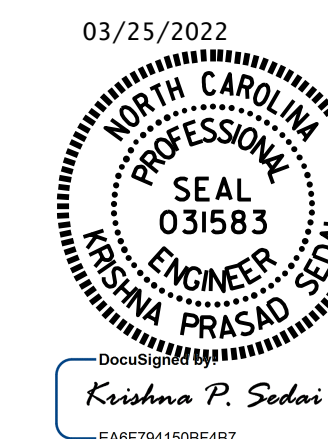
SECTION X-X



ELEVATION OF WING W2

PROJECT NO. B-5772
ROWAN COUNTY
 STATION: 20+91.04 -EL-

SHEET 2 OF 3



STATE OF NORTH CAROLINA
 DEPARTMENT OF TRANSPORTATION
 RALEIGH
 SUBSTRUCTURE
 END BENT #1

DRAWN BY : A. SORSENGINH DATE : 3/2021
 CHECKED BY : M. G. SHAIKH DATE : 5/2021
 DESIGN ENGINEER OF RECORD: A. SORSENGINH DATE : 5/2021

DOCUMENT NOT CONSIDERED
 FINAL UNLESS ALL
 SIGNATURES COMPLETED

REVISIONS						SHEET NO.
NO.	BY:	DATE:	NO.	BY:	DATE:	S-19
1			3			TOTAL SHEETS
2			4			25