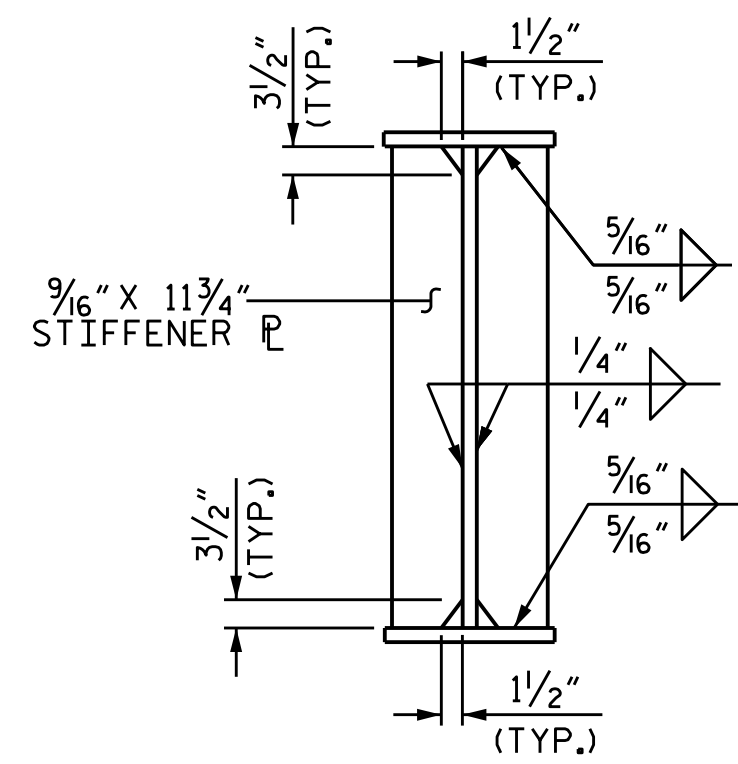
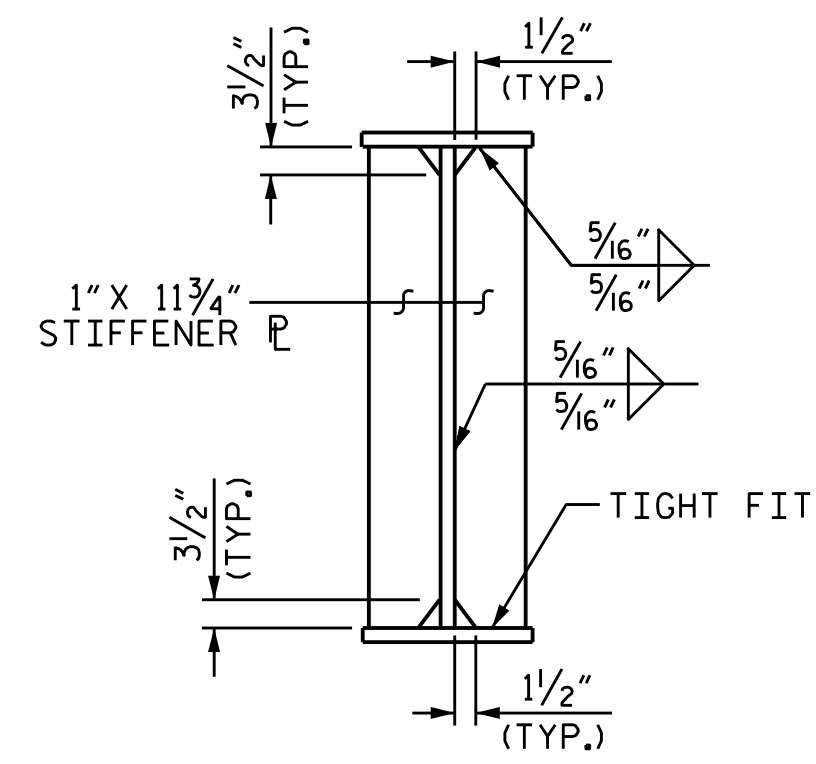


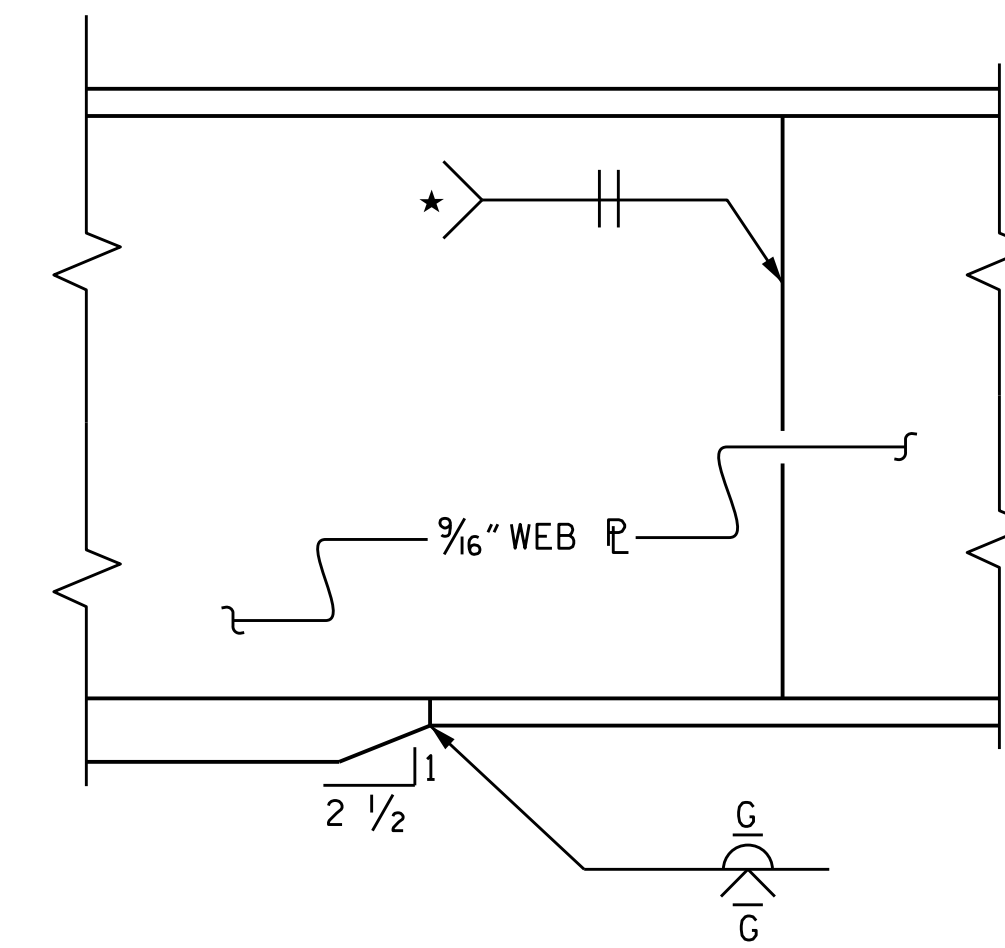
BEARING STIFFENER @ END BENTS



INTERMEDIATE DIAPHRAGM CONNECTOR PLATE

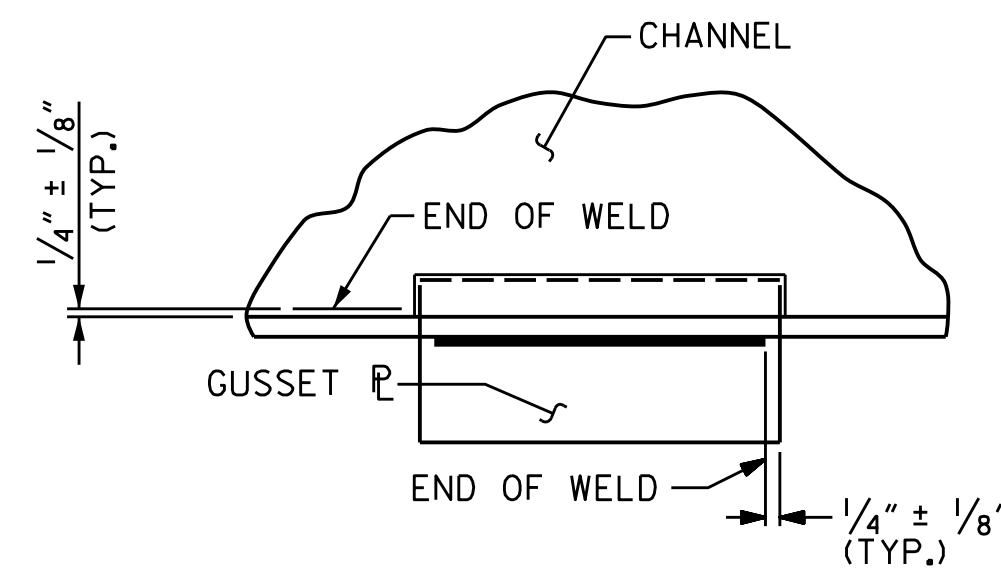


TRANSVERSE STIFFENER

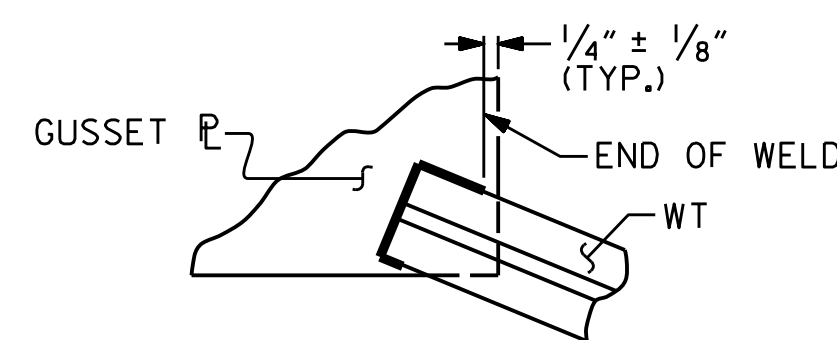


ELEVATION  
TYPICAL FLANGE AND WEB BUTT JOINT

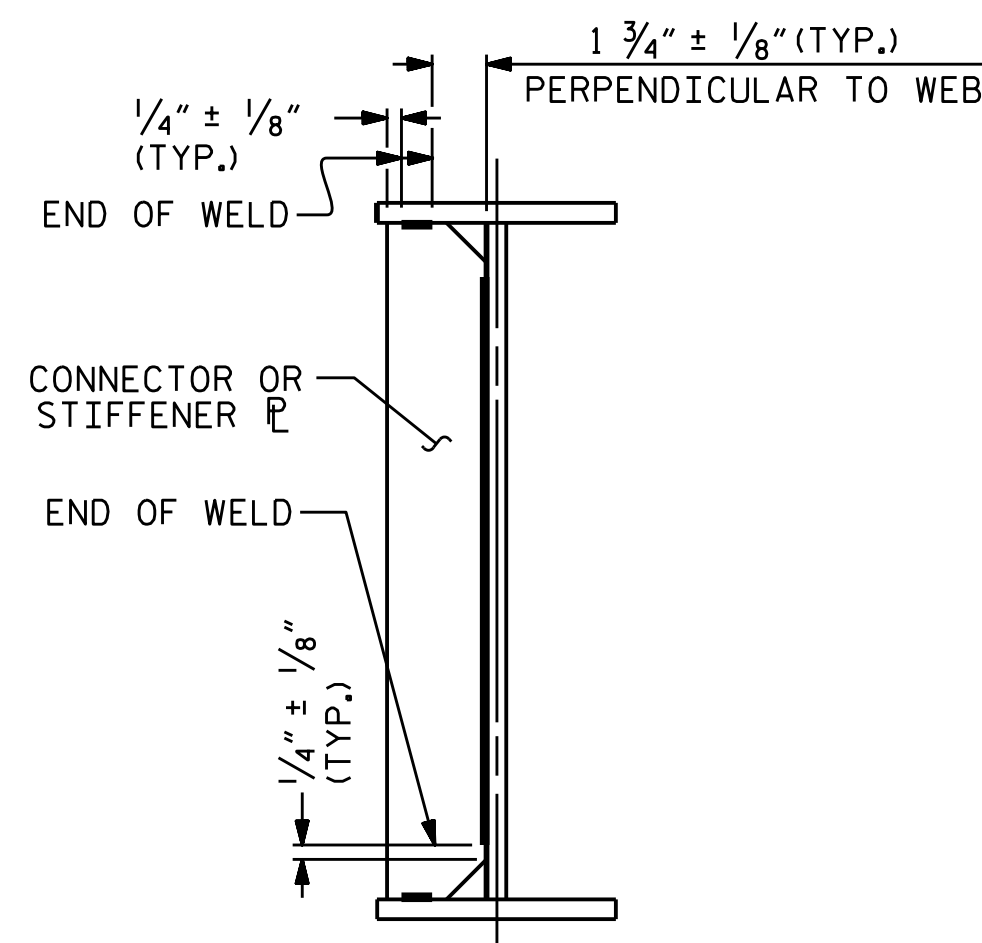
★ GRIND SMOOTH AND FLUSH ON OUTER FACE OF EXTERIOR BEAMS /GIRDERS



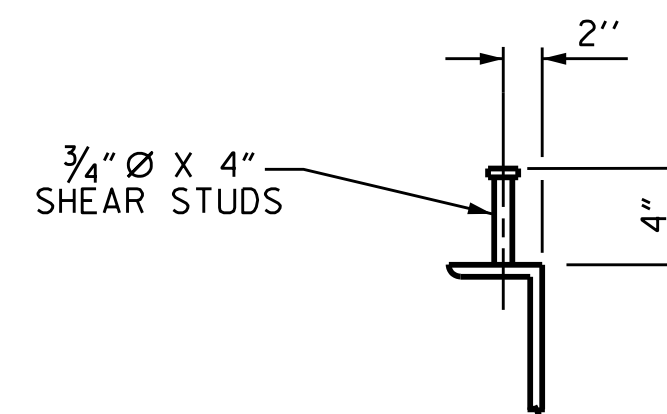
TYPICAL GUSSET PLATE CONNECTION



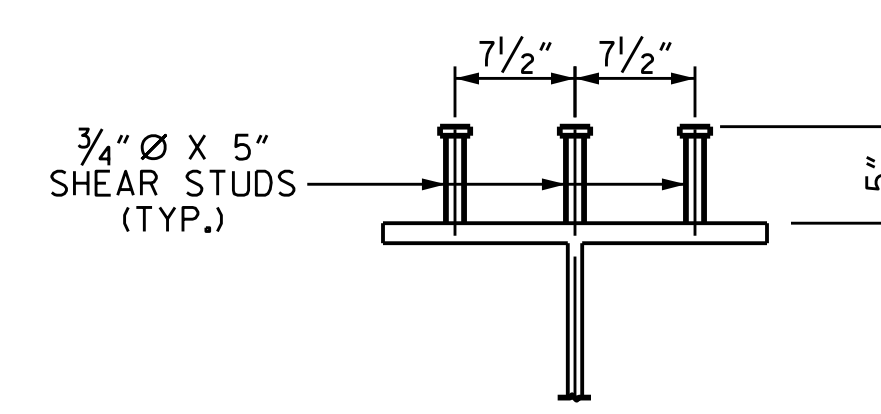
TYPICAL "TEE" TO GUSSET PLATE CONNECTION



TYPICAL STIFFENER OR CONNECTOR PLATE CONNECTIONS



DIAPHRAGM SHEAR CONECTORS



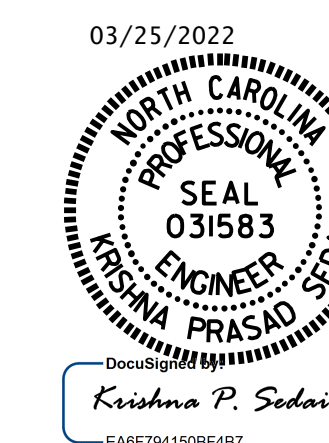
GIRDER SHEAR CONECTORS

SHEAR CONECTORS DETAILS

WELD TERMINATION DETAILS

PROJECT NO. B-5772  
ROWAN COUNTY  
STATION: 20+91.04 -EL-

SHEET 3 OF 4



STATE OF NORTH CAROLINA  
DEPARTMENT OF TRANSPORTATION  
RALEIGH  
SUPERSTRUCTURE  
STRUCTURAL STEEL  
DETAILS

DRAWN BY : M. G. SHAIKH DATE : 02/2021  
CHECKED BY : A. SORSENGINH DATE : 05/2021  
DESIGN ENGINEER OF RECORD: A. SORSENGINH DATE : 05/2021

DOCUMENT NOT CONSIDERED  
FINAL UNLESS ALL  
SIGNATURES COMPLETED

REVISIONS						SHEET NO.
NO.	BY:	DATE:	NO.	BY:	DATE:	S-10
1			3			TOTAL SHEETS
2			4			25