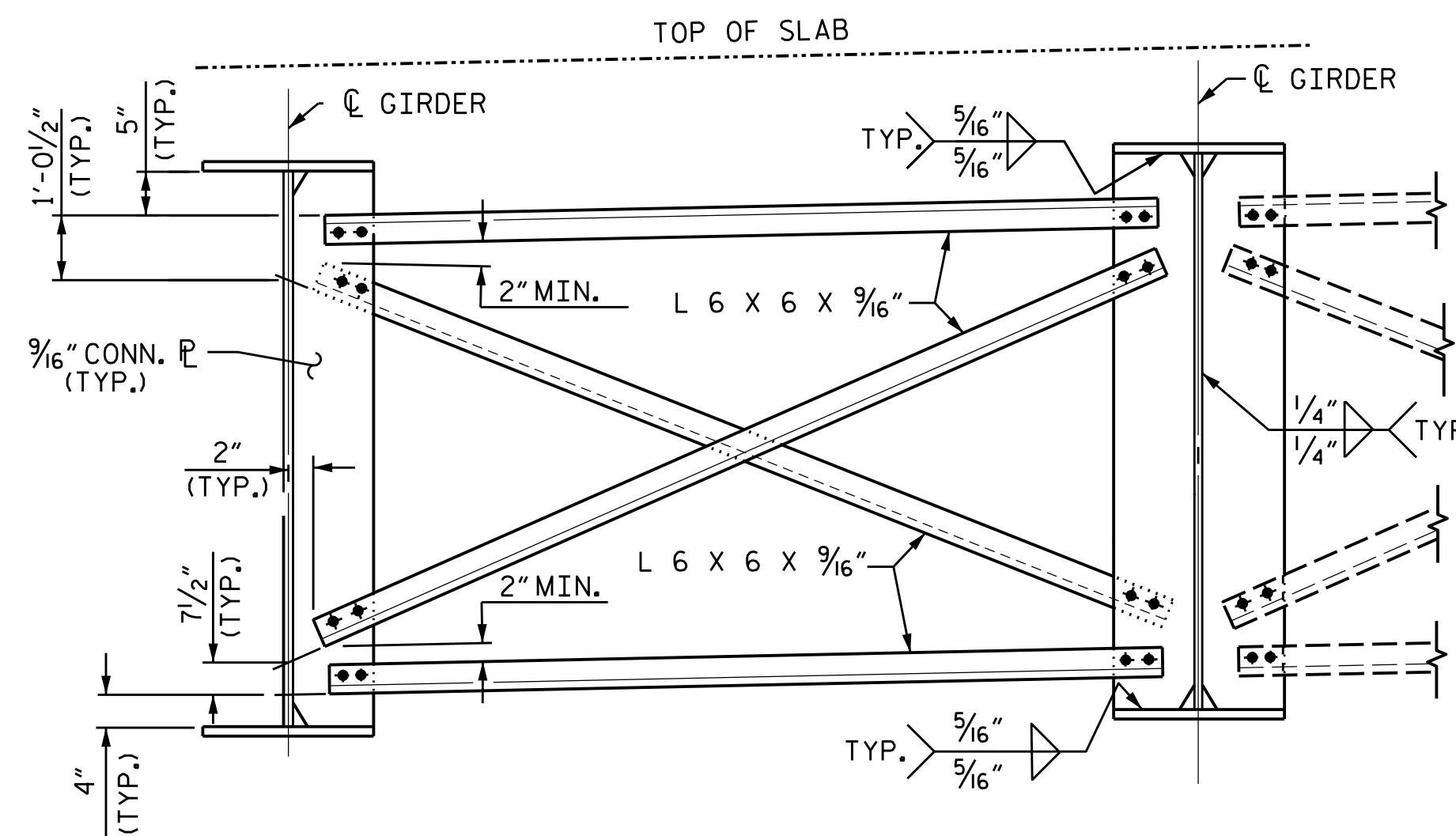
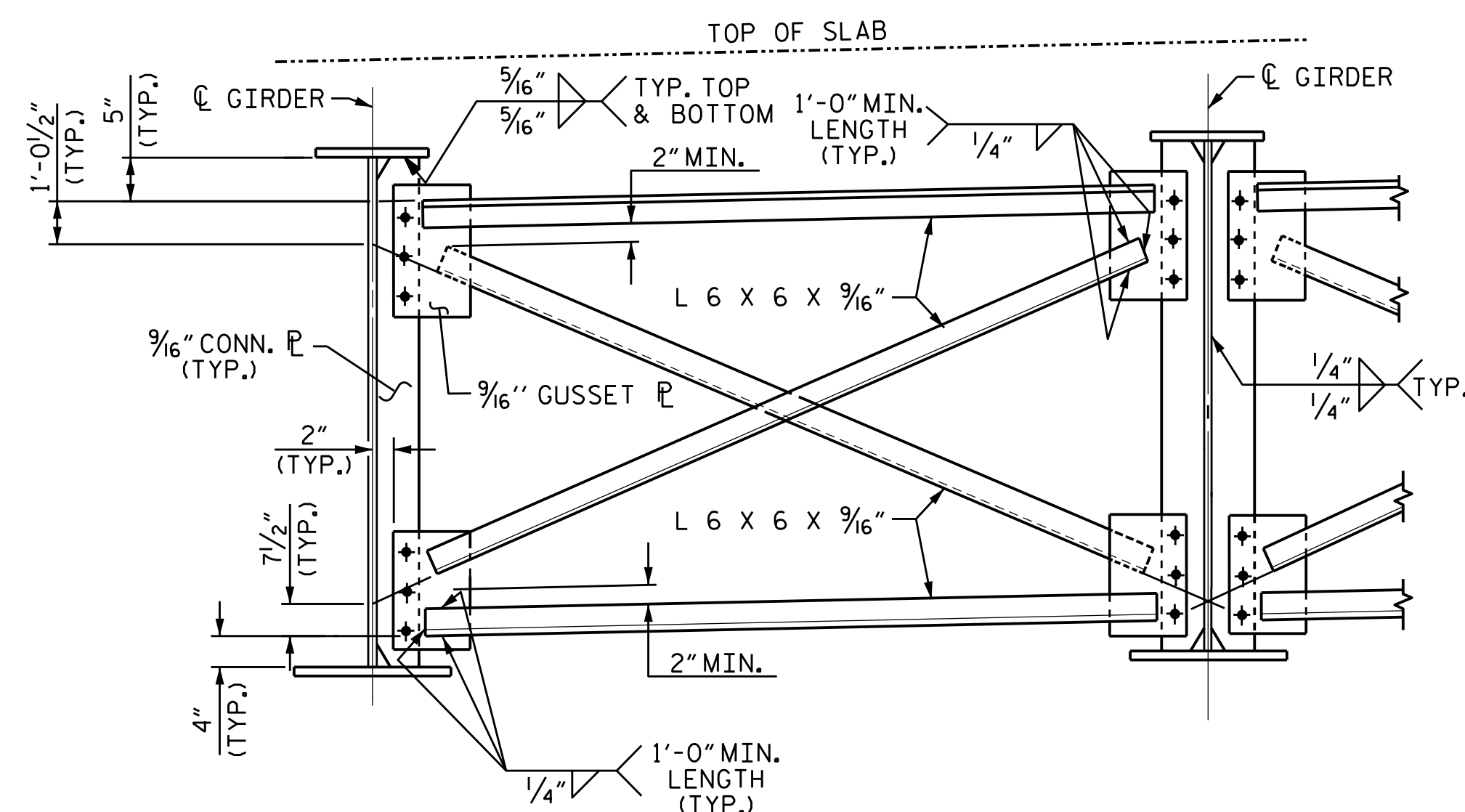


TYPICAL END BENT DIAPHRAGM (D1)



TYPICAL INTERMEDIATE DIAPHRAGM (D2)



OPTIONAL INTERMEDIATE DIAPHRAGM

PROJECT NO. B-5772
ROWAN COUNTY
 STATION: 20+91.04 -EL-

SHEET 2 OF 4



STATE OF NORTH CAROLINA
 DEPARTMENT OF TRANSPORTATION
 RALEIGH
 SUPERSTRUCTURE
 STRUCTURAL STEEL
 DETAILS

DRAWN BY : M. G. SHAIKH DATE : 02/2021
 CHECKED BY : A. SORSENGINH DATE : 05/2021
 DESIGN ENGINEER OF RECORD: A. SORSENGINH DATE : 05/2021

DOCUMENT NOT CONSIDERED
 FINAL UNLESS ALL
 SIGNATURES COMPLETED

REVISIONS						SHEET NO.
NO.	BY:	DATE:	NO.	BY:	DATE:	S-9
1			3			TOTAL SHEETS
2			4			25