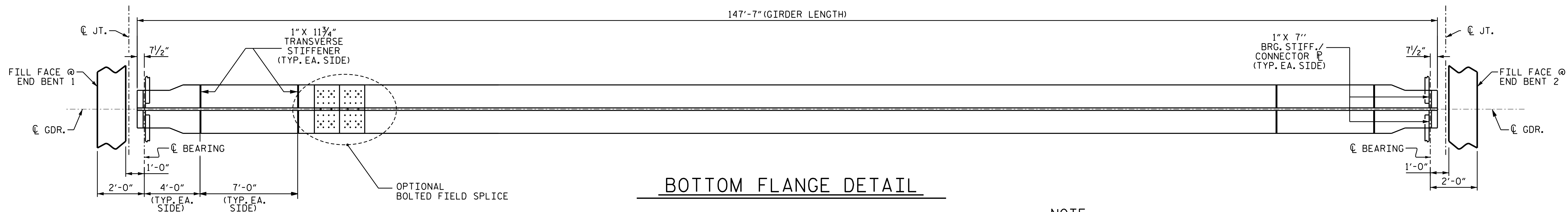


PLATE GIRDER ELEVATION
(INTERMEDIATE DIAPHRAGMS NOT SHOWN)

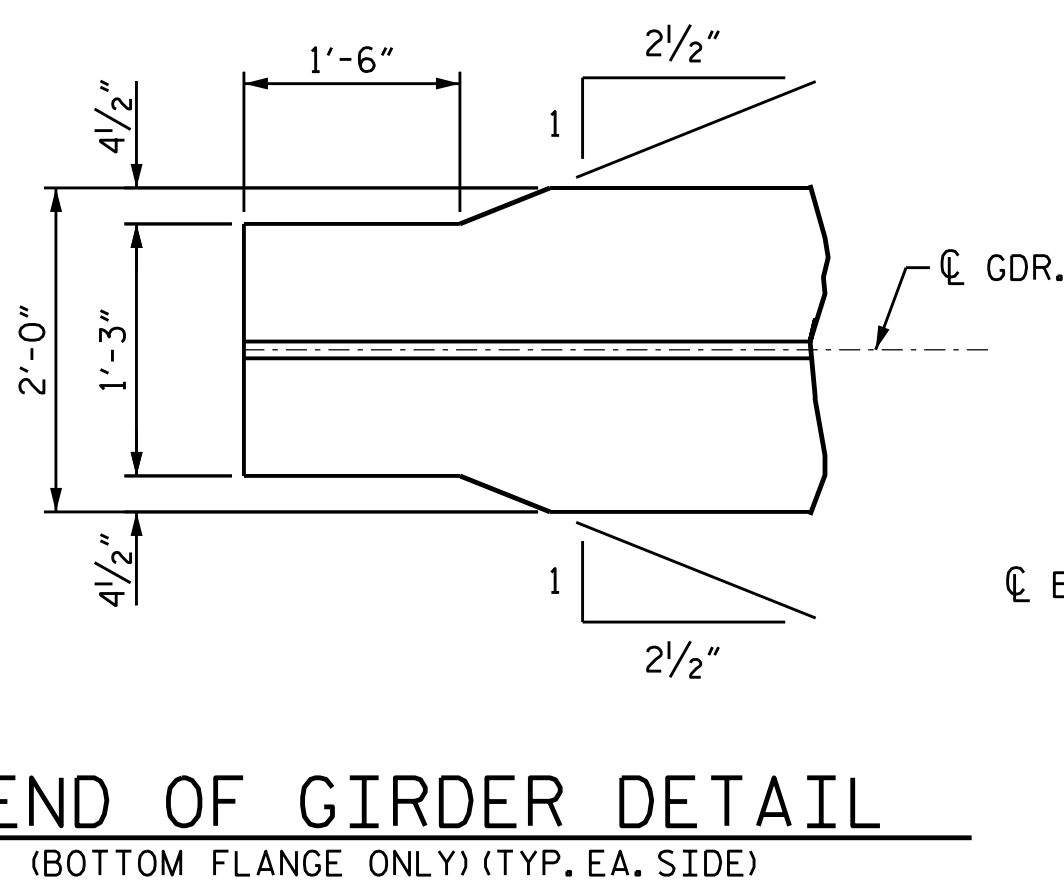


BOTTOM FLANGE DETAIL

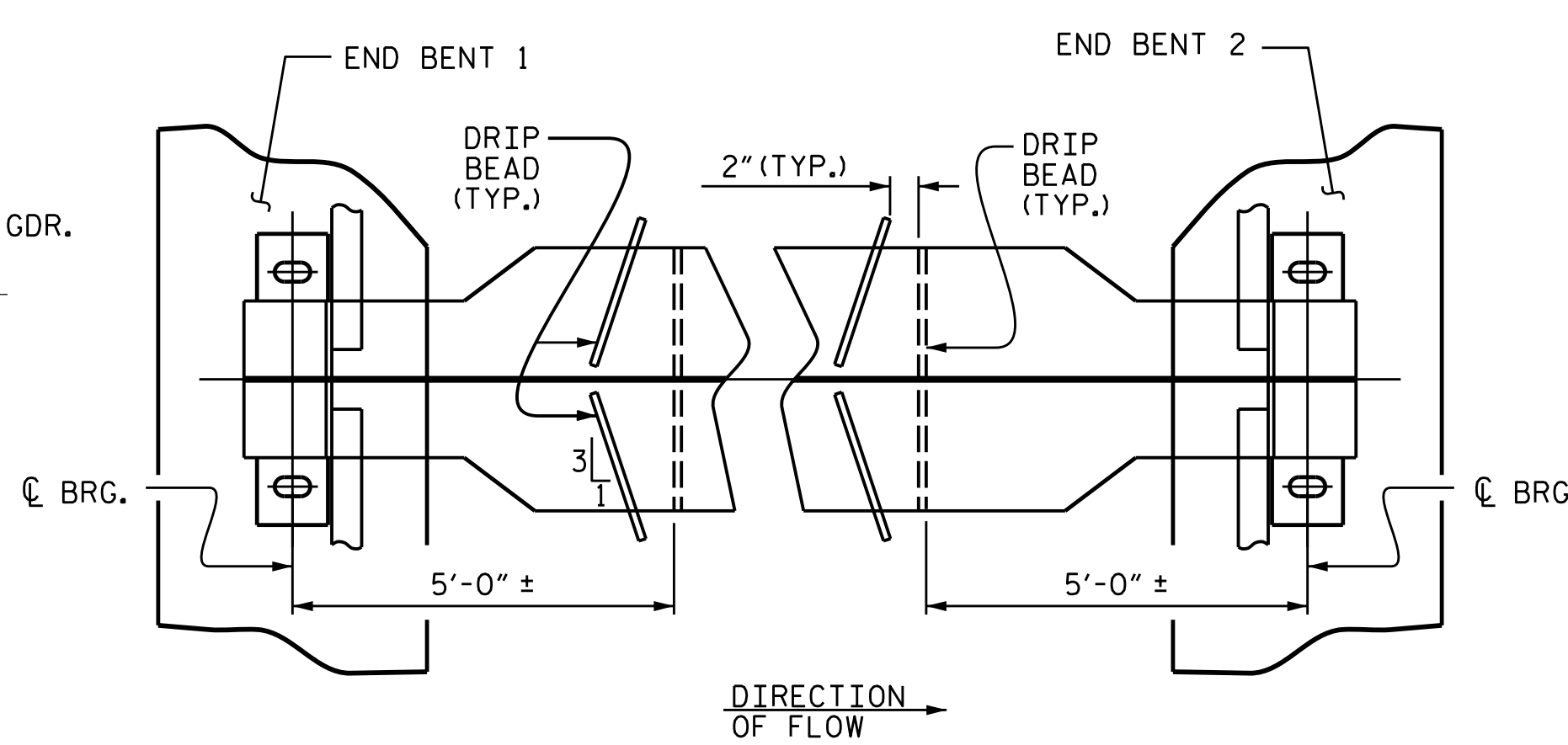
NOTE:

A CHARPY V-NOTCH TEST IS REQUIRED FOR WEB PLATES, BOTTOM FLANGE PLATES, BOTTOM FLANGE SPLICE PLATES AND WEB SPLICE PLATES (IF USED) FOR ALL GIRDERS AND IN ACCORDANCE WITH ARTICLE 1072-7 OF THE STANDARD SPECIFICATIONS.

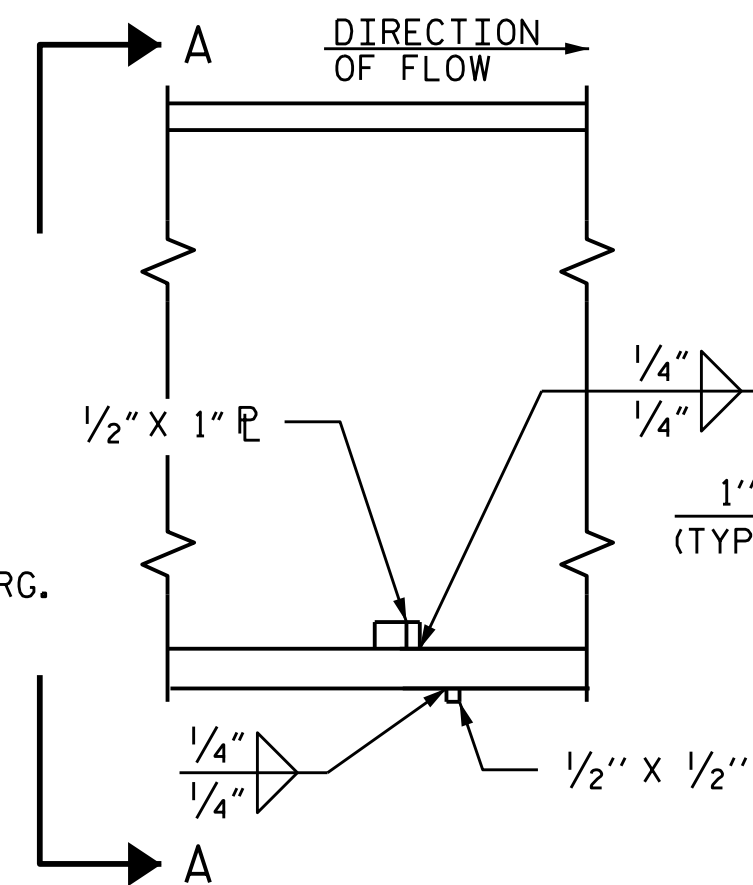
FOR SHEAR CONNECTOR TRANSVERSE SPACING, SEE "STRUCTURAL STEEL DETAILS", SHEET 4 OF 4.



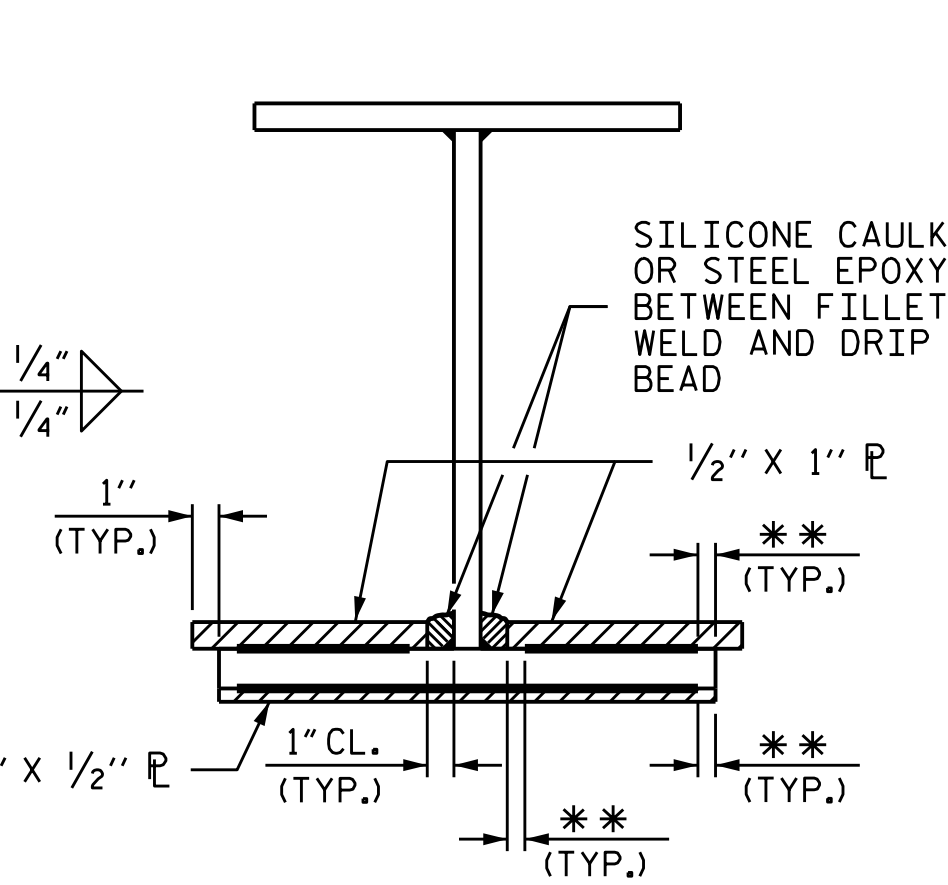
END OF GIRDER DETAIL
(BOTTOM FLANGE ONLY) (TYP. EA. SIDE)



PART PLAN - BOTTOM FLANGE

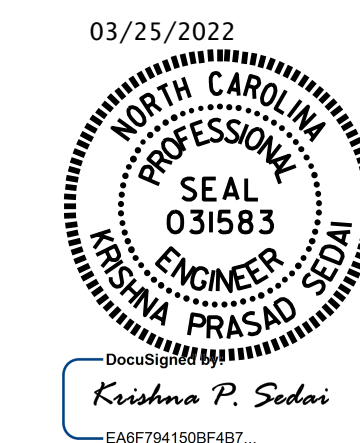


SECTION



VIEW A-A

** SEE "WELD TERMINATION DETAILS"



PROJECT NO. B-5772
ROWAN COUNTY
STATION: 20+91.04 -EL-

SHEET 1 OF 4

STATE OF NORTH CAROLINA
DEPARTMENT OF TRANSPORTATION
RALEIGH

**SUPERSTRUCTURE
GIRDER
DETAILS**

DRAWN BY : M. G. SHAIKH DATE : 02/2021
CHECKED BY : A. SORSENGINH DATE : 05/2021
DESIGN ENGINEER OF RECORD: A. SORSENGINH DATE : 05/2021

3/25/2022
I:\Structures\Final Plans OBD\401.017.B5772.SMU.SS.S08.790066.dgn
ksedal

DOCUMENT NOT CONSIDERED
FINAL UNLESS ALL
SIGNATURES COMPLETED

REVISIONS						SHEET NO.
NO.	BY:	DATE:	NO.	BY:	DATE:	S-8
1			3			TOTAL SHEETS
2			4			25