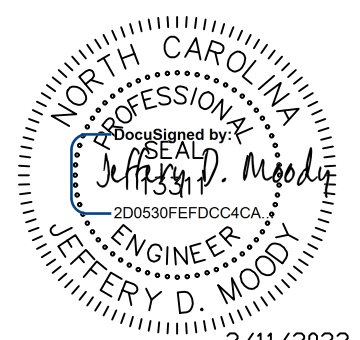

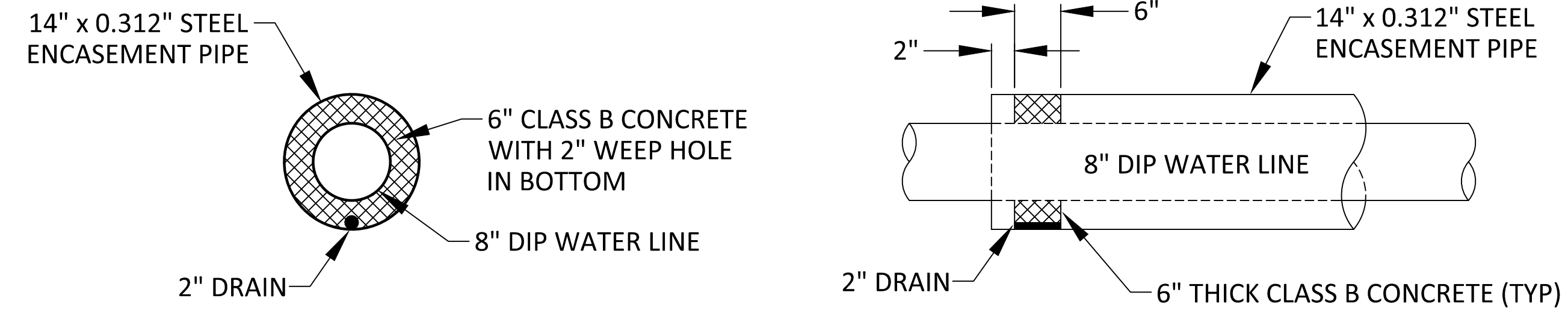
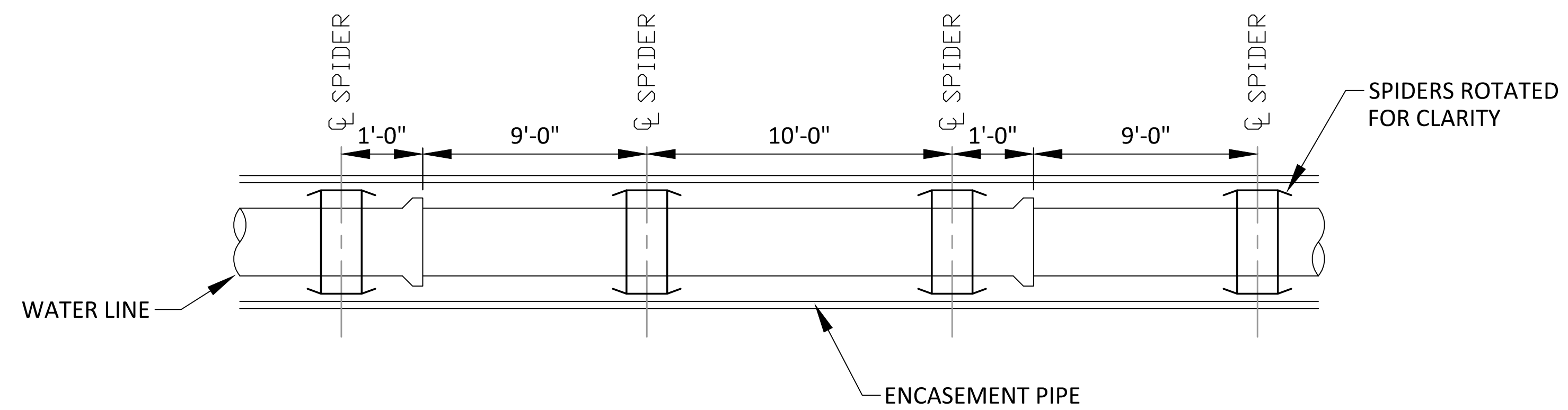


TEMPORARY WATER LINE DETAILS

PROJECT REFERENCE NO. <i>B-5772</i>	SHEET NO. <i>UC-3C</i>
DESIGNED BY: <i>JDM</i>	
DRAWN BY: <i>RCC</i>	
CHECKED BY:	
APPROVED BY:	
REVISID:	3/11/2022
NORTH CAROLINA DEPARTMENT OF TRANSPORTATION	UTILITY CONSTRUCTION PLANS ONLY
UTILITIES ENGINEERING SEC. PHONE: (919)707-6690 FAX: (919)250-4151	
DOCUMENT NOT CONSIDERED FINAL UNLESS ALL SIGNATURES COMPLETED	
 alley, williams, carmen, & king, inc. CONSULTING ENGINEERS <small>FIRM LICENSE No. F-0203</small> 120 SOUTH MAIN STREET P.O. BOX 1248 KANNAPOLIS, NC 28082 704/938-1515	



14" TEMPORARY ENCASEMENT PIPE END SEALS



WATER LINE SPIDER SPACING DETAIL