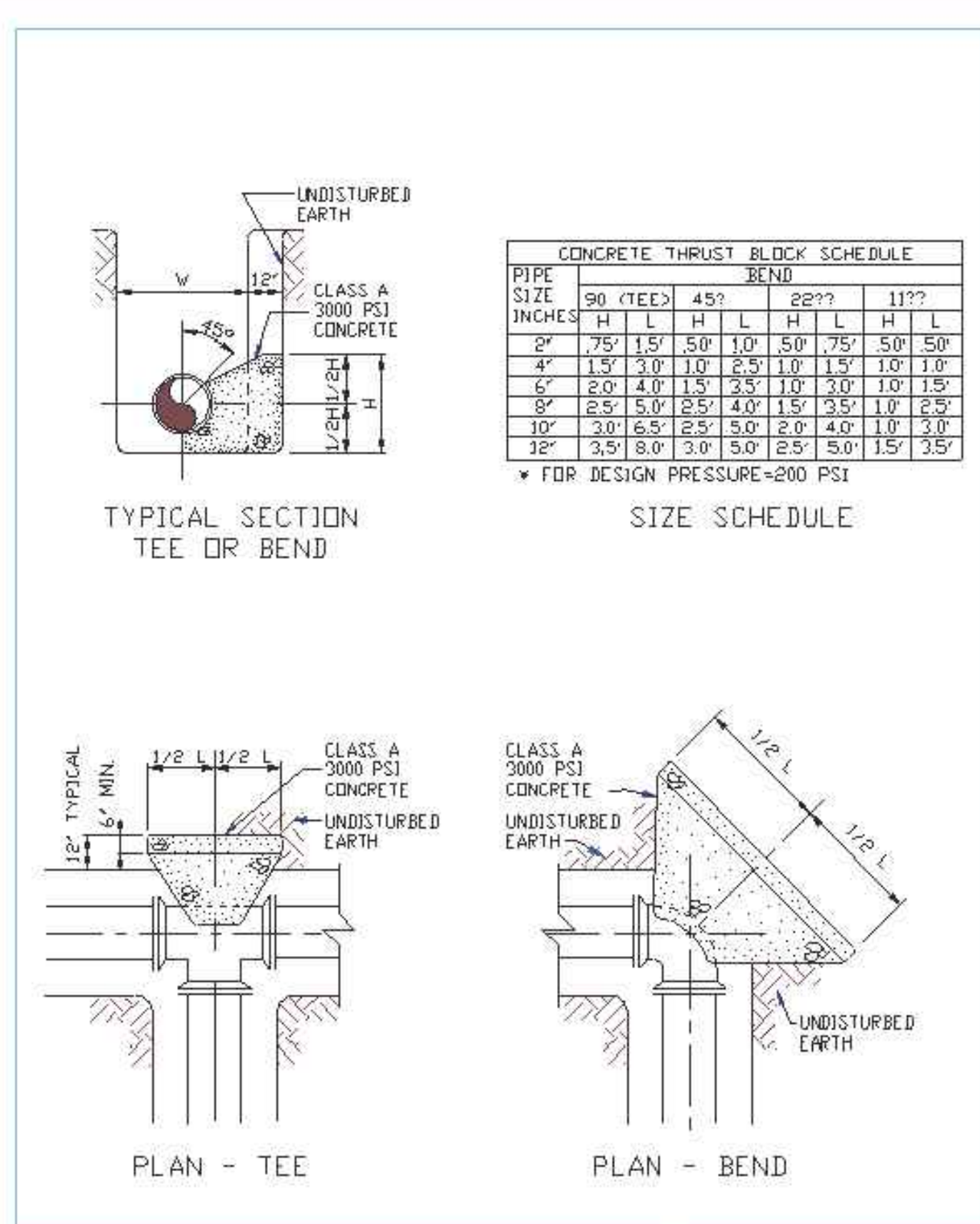
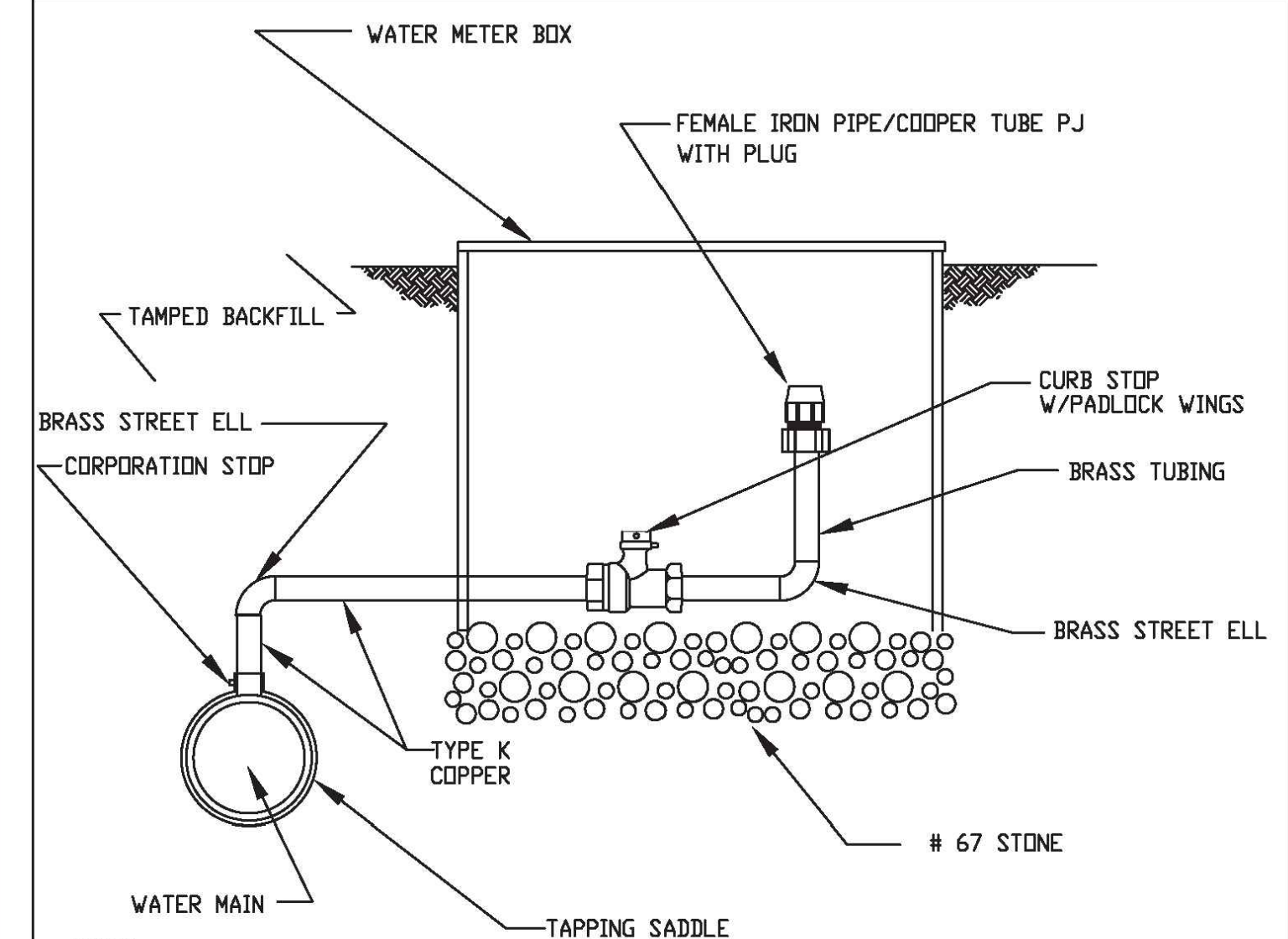


DESIGNED BY: JDM
 DRAWN BY: RCC
 CHECKED BY:
 APPROVED BY:
 REVISED:
 NORTH CAROLINA PROFESSIONAL ENGINEER
 JEFFERY D. MOODY
 LICENSE NO. 27053
 3/11/2022
 UTILITY CONSTRUCTION PLANS ONLY

UTILITY ENGINEERING SEC. PHONE: (919)707-6690 FAX: (919)250-4151
DOCUMENT NOT CONSIDERED FINAL UNLESS ALL SIGNATURES COMPLETED
 alley, williams, carmen, & king, inc. CONSULTING ENGINEERS
 FIRM LICENSE No. F-0203
 120 SOUTH MAIN STREET KANNAPOLIS, NC 28082 P.O. BOX 1248 704/335-1515

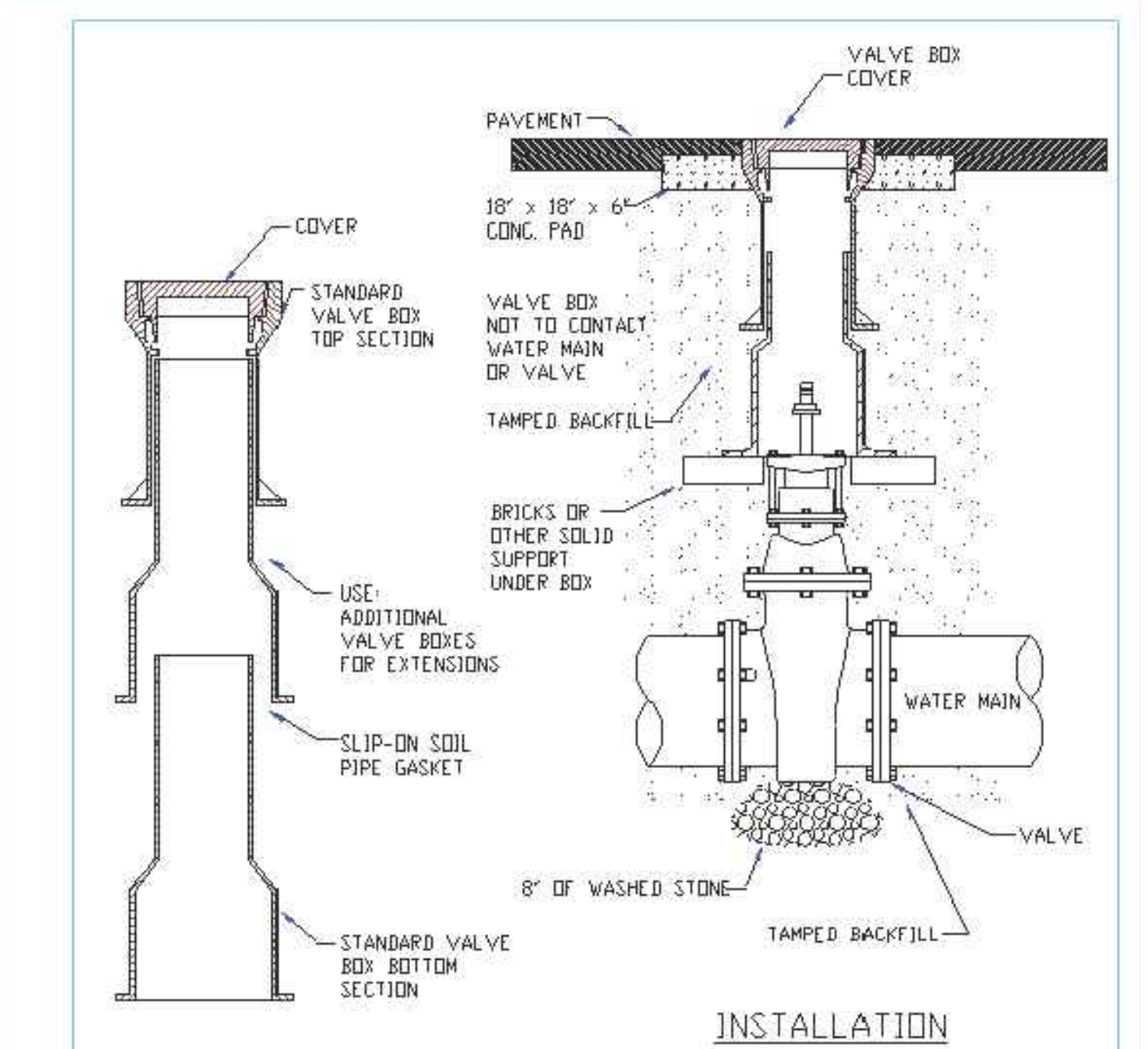


CITY OF SALISBURY, N.C. STANDARD DETAIL DATE: JANUARY 1, 1991
 WATER SYSTEMS THRUST BLOCKING NOT TO SCALE
 STANDARD W-1

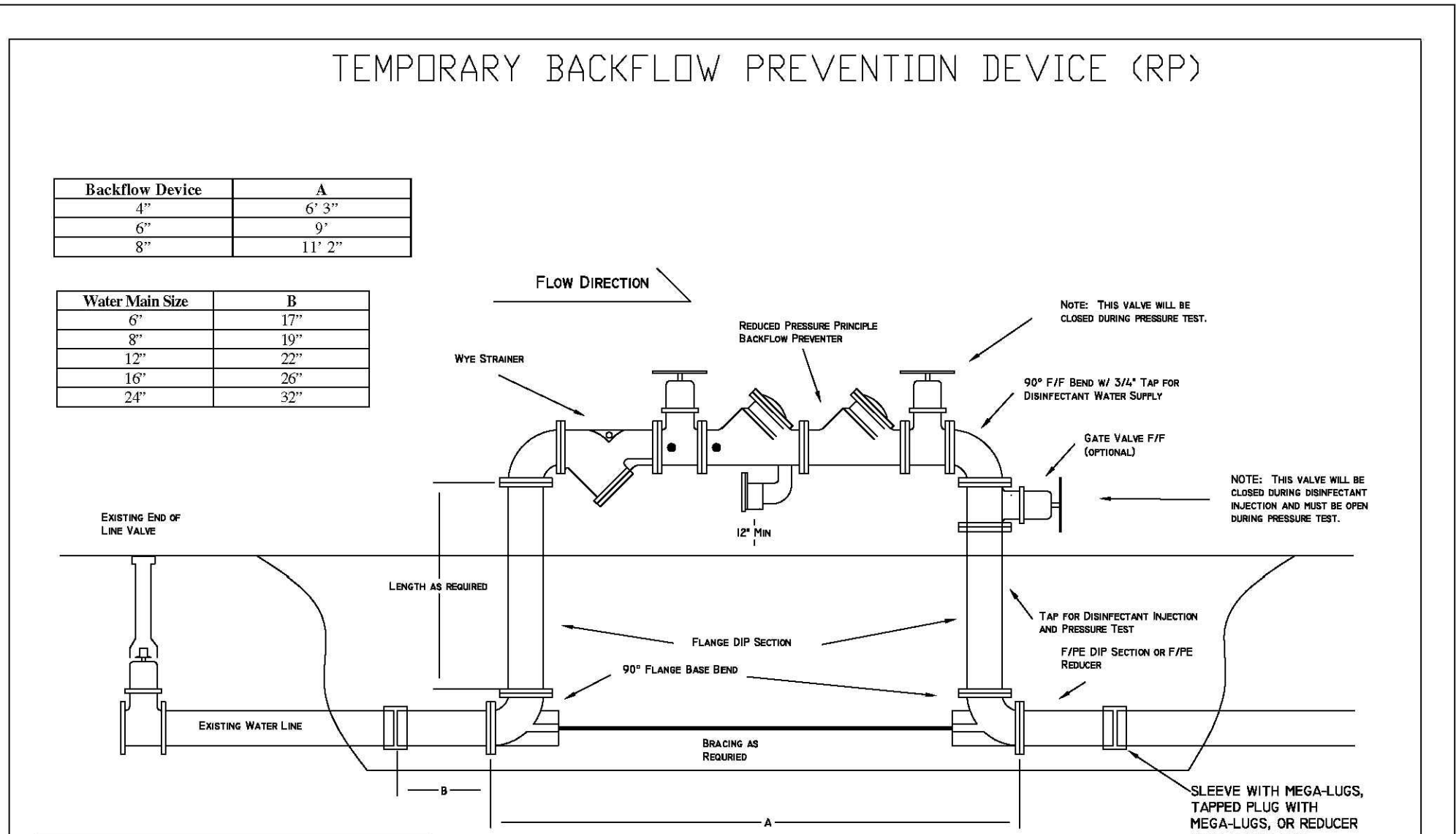


- NOTES:**
- ALL PIPING IS TYPE K SOFT COPPER
 - AIR VALVES TO BE INSTALLED AT ALL POINTS BETWEEN OUTLETS ON THE PIPE (HYDRANTS, SERVICES, ETC.) WHERE THE ELEVATION OF THE CROWN OF THE PIPE IS HIGHER THAN THE OTHER OUTLETS.
 - SAMPLING TAPS NOT USED AS BLOW-OFFS MAY BE 3/4".
 - MAY ALSO BE USED FOR SAMPLING TAP. SAMPLING TAPS TO BE PLACED AT A MINIMUM AT THE END OF ALL MAINS, AT THE END OF ALL BRANCHES AND AT INTERVALS OF 1/2 MILE FOR MAINS LONGER THAN 1/2 MILE (ADDITIONAL SAMPLING TAPS MAY BE REQUIRED IN SUBDIVISIONS AND APARTMENT COMPLEXES).
 - SEE CURRENT CITY OF SALISBURY WATER & SEWER APPROVED PRODUCT MANUFACTURER'S SHEET FOR APPROVED TYPES LOCATED IN APPENDIX "A" OF THE CITY OF SALISBURY UNIFORM CONSTRUCTION STANDARDS
 - BLOW-OFF SIZES:
 6" TO 12" - MINIMUM SIZE BLOW-OFF 2" - COPPER AND BRASS IN METER BOX (AS SHOWN ABOVE).
 16" - MINIMUM SIZE BLOW-OFF 4" (DUCTILE IRON PIPE REQUIRED)
 24" - MINIMUM SIZE BLOW-OFF 6" (DUCTILE IRON PIPE REQUIRED)

CITY OF SALISBURY, N.C. STANDARD DETAIL DATE: OCTOBER 17, 2006 AMENDED: MAY 19, 2009
 WATER SYSTEM BLOW OFF VALVE NOT TO SCALE
 STANDARD W-7



CITY OF SALISBURY, N.C. STANDARD DETAIL DATE: JANUARY 1, 1991
 WATER SYSTEMS VALVE BOX INSTALLATION NOT TO SCALE
 STANDARD W-5



Backflow Device

Backflow Device	A
4"	6' 3"
6"	9'
8"	11' 2"

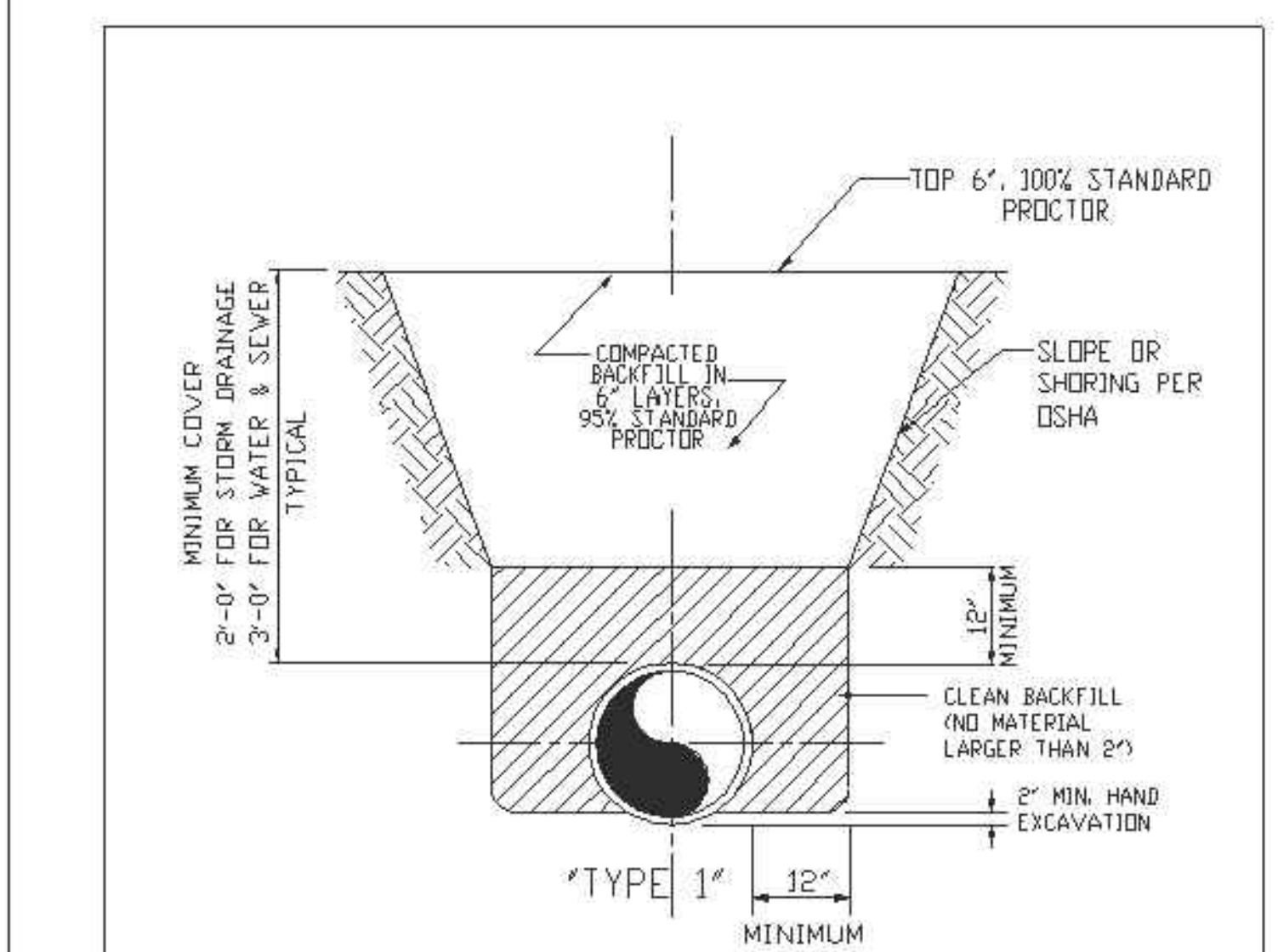
Water Main Size

Water Main Size	B
6"	17"
8"	19"
12"	22"
16"	26"
24"	32"

Water Main Size

Water Main Size	Min Backflow Device Size	Min End of Line Blow-off
6" to 12"	4"	4"
16"	6"	6"
24"	8"	6"

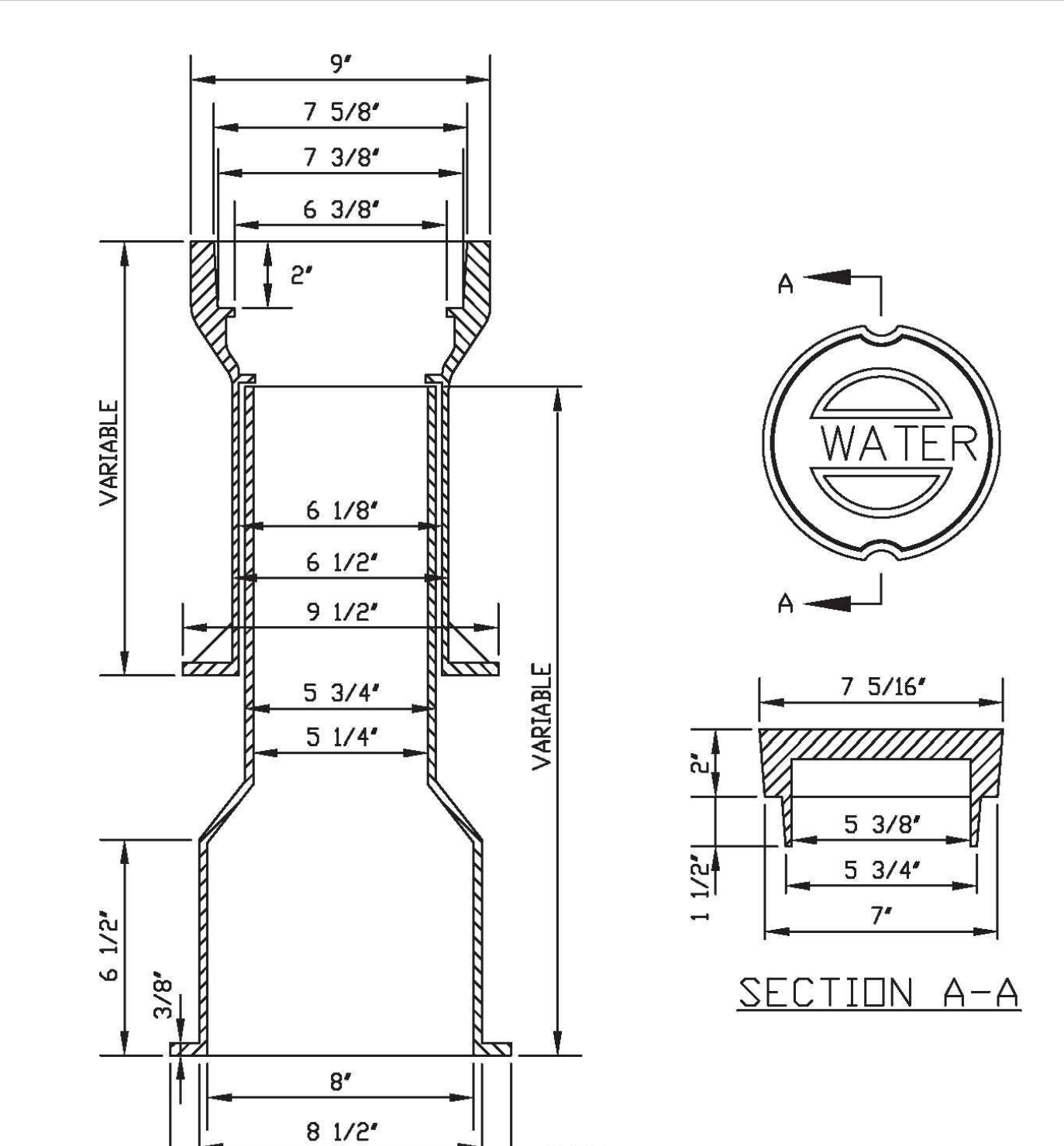
CITY OF SALISBURY, N.C. STANDARD DETAIL DATE: OCTOBER 17, 2006 AMENDED: MAY 19, 2009
 TEMPORARY BACKFLOW PREVENTION DEVICE FOR FILLING NEW LINES NOT TO SCALE
 STANDARD W-13



NOTES:

- FOR USE WITH ALL DIP, RCP AND VCP UNLESS CONDITIONS OF POOR OR SATURATED SOIL OR ROCK ARE PRESENT.
- HAND EXCAVATE TO CONFORM TO PIPE BARREL
- EXCAVATE AT PIPE BELLS SO BELL DOES NOT SUPPORT PIPE.
- TRENCH SIDE SLOPES SHALL BE IN ACCORDANCE WITH OSHA REQUIREMENTS. SUPPORT OR SHORE WHEN TRENCH IS MORE THAN 5' DEEP AND 8' LONG. BEGIN SIDE SLOPE, IF USED, APPROX. 18" ABOVE TOP OF PIPE.
- BACKFILL OF TRENCHES SHALL BE ACCOMPLISHED IMMEDIATELY AFTER THE PIPE IS LAID. COMPACTION REQUIREMENTS SHALL BE ATTAINED BY THE USE OF MECHANICAL TAMPS ONLY. EACH AND EVERY LAYER OF BACKFILL SHALL BE PLACED LOOSE IN 6" LAYERS AND THOROUGHLY COMPACTED INTO PLACE.
- ALL MATERIAL SHALL HAVE AN IN PLACE DENSITY OF 100% TO A DEPTH 6" BELOW THE FINISHED GRADE OF BACKFILL MATERIAL, AND 95% AT GREATER THAN 6" BELOW GRADE.

CITY OF SALISBURY, N.C. STANDARD DETAIL DATE: JANUARY 1, 1991
 PIPELINE INSTALLATION TYPE 1 BEDDING NOT TO SCALE
 STANDARD P-1



CITY OF SALISBURY, N.C. STANDARD DETAIL DATE: OCTOBER 17, 2006
 WATER SYSTEMS VALVE BOX NOT TO SCALE
 STANDARD W-4