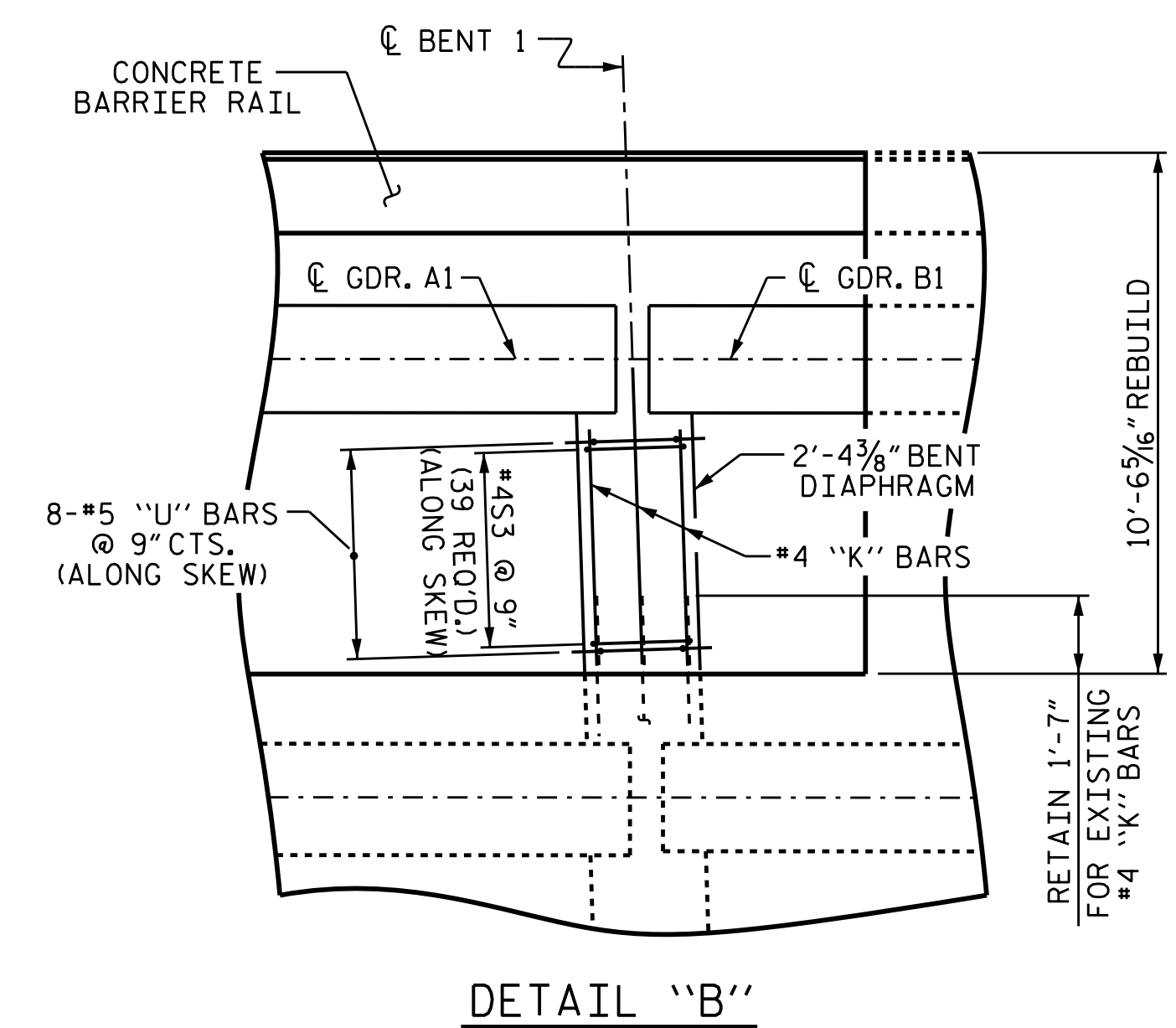
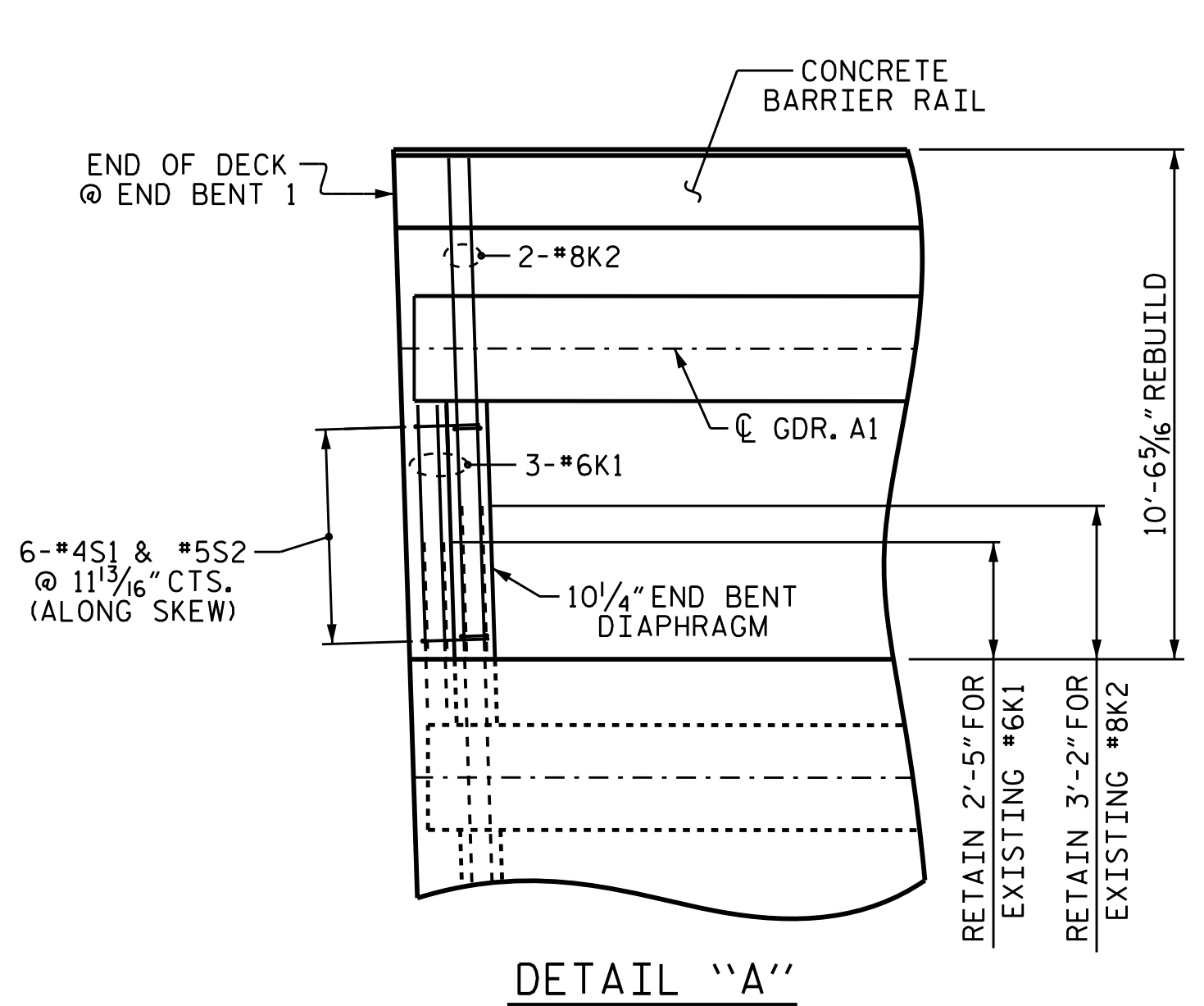
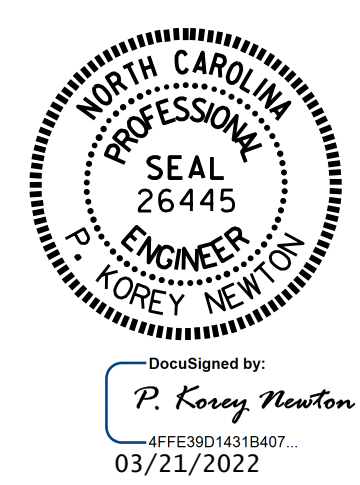


PARTIAL PLAN OF SPAN A
SEE "CONCRETE BARRIER RAIL" SHEETS FOR CONCRETE BARRIER RAIL REINFORCING STEEL DETAILS.



PROJECT NO. 41665.13C
PITT COUNTY
BRIDGE NO. 730472



STATE OF NORTH CAROLINA
DEPARTMENT OF TRANSPORTATION
RALEIGH

PARTIAL PLAN OF SPAN A

DRAWN BY : M.K. BEARD DATE : 6/23/21
CHECKED BY : D.R. SHACKELFORD DATE : 6/24/21

REVISIONS						SHEET NO.
NO.	BY:	DATE:	NO.	BY:	DATE:	S2-4
1			3			TOTAL SHEETS
2			4			14

DOCUMENT NOT CONSIDERED FINAL UNLESS ALL SIGNATURES COMPLETED