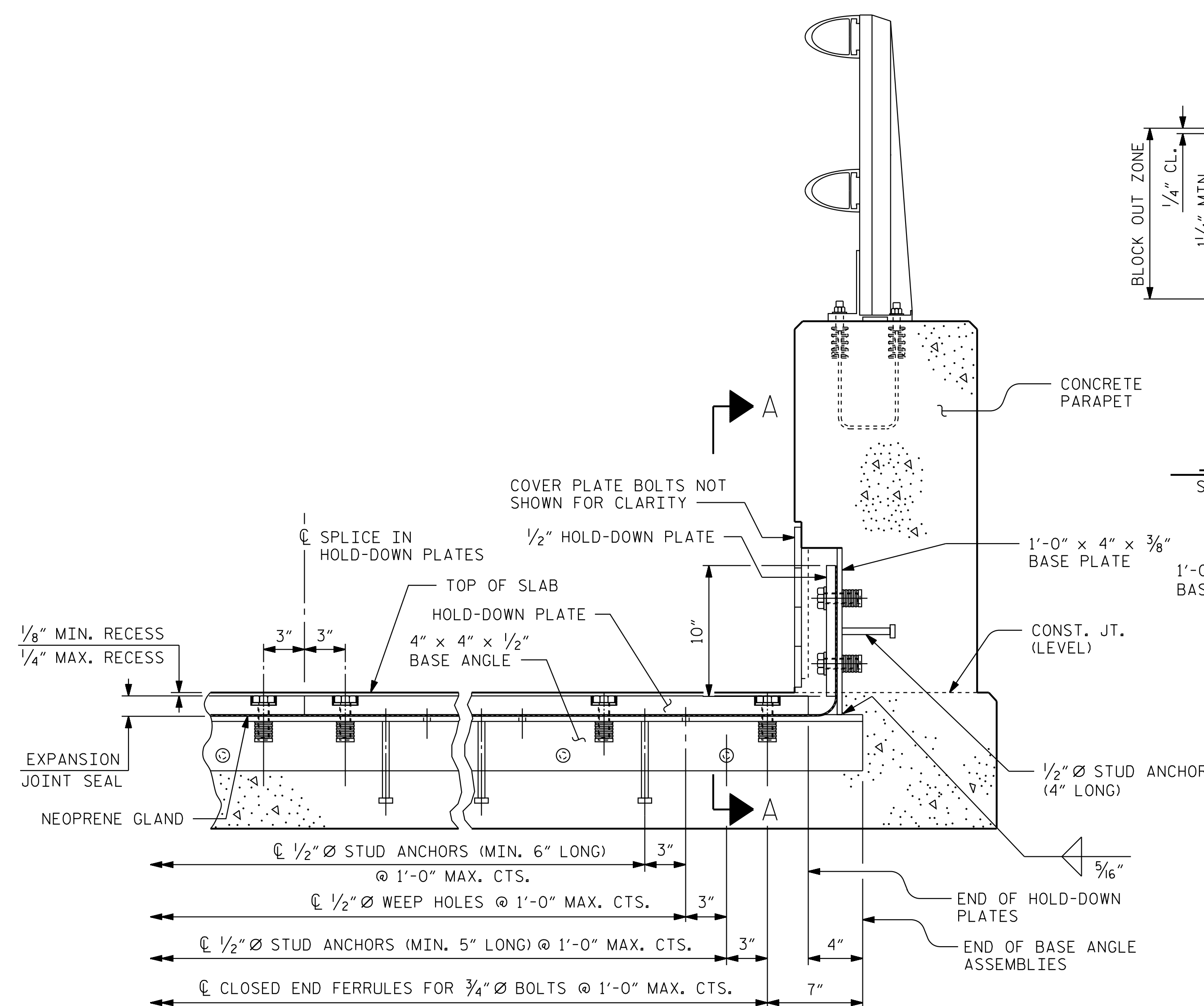
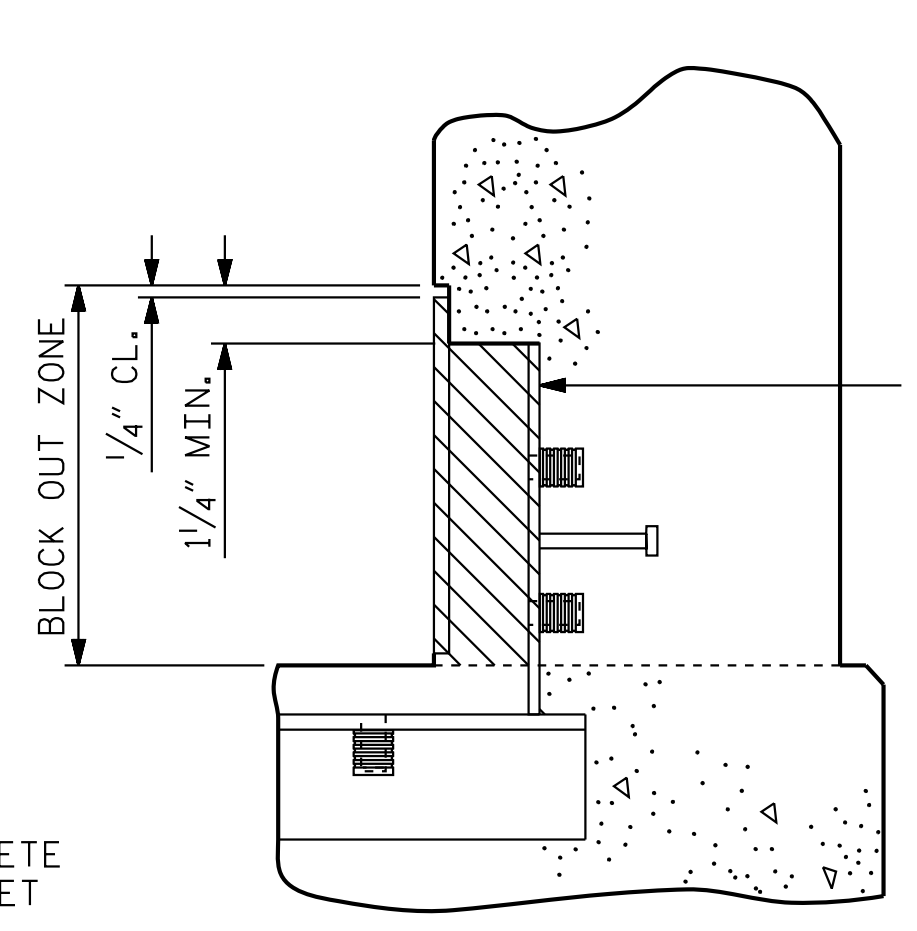


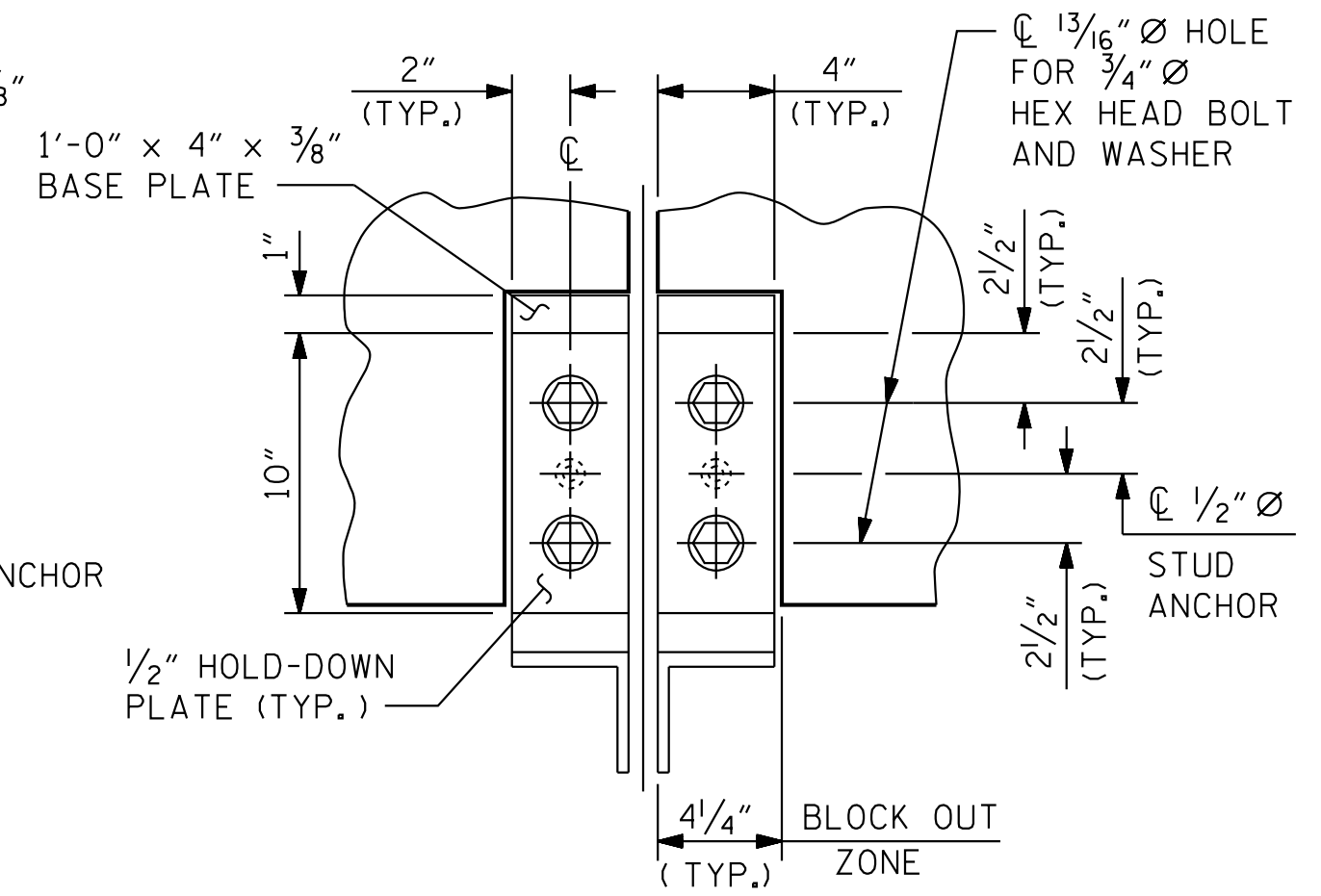
C:\Users\andrew.phillips\My Documents\Bridges - Documents\B-5301\Coat\09\401\_061\_B5301\_SML\_502\_034\_730081.dgn



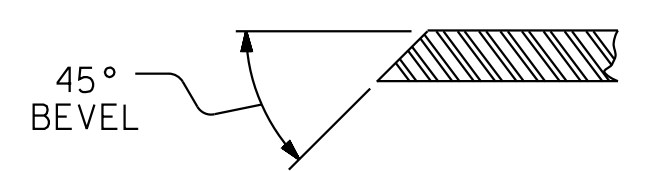
**SECTION THRU PARAPET NORMAL TO JOINT**  
RIGHT SIDE SHOWN, LEFT SIDE SIMILAR



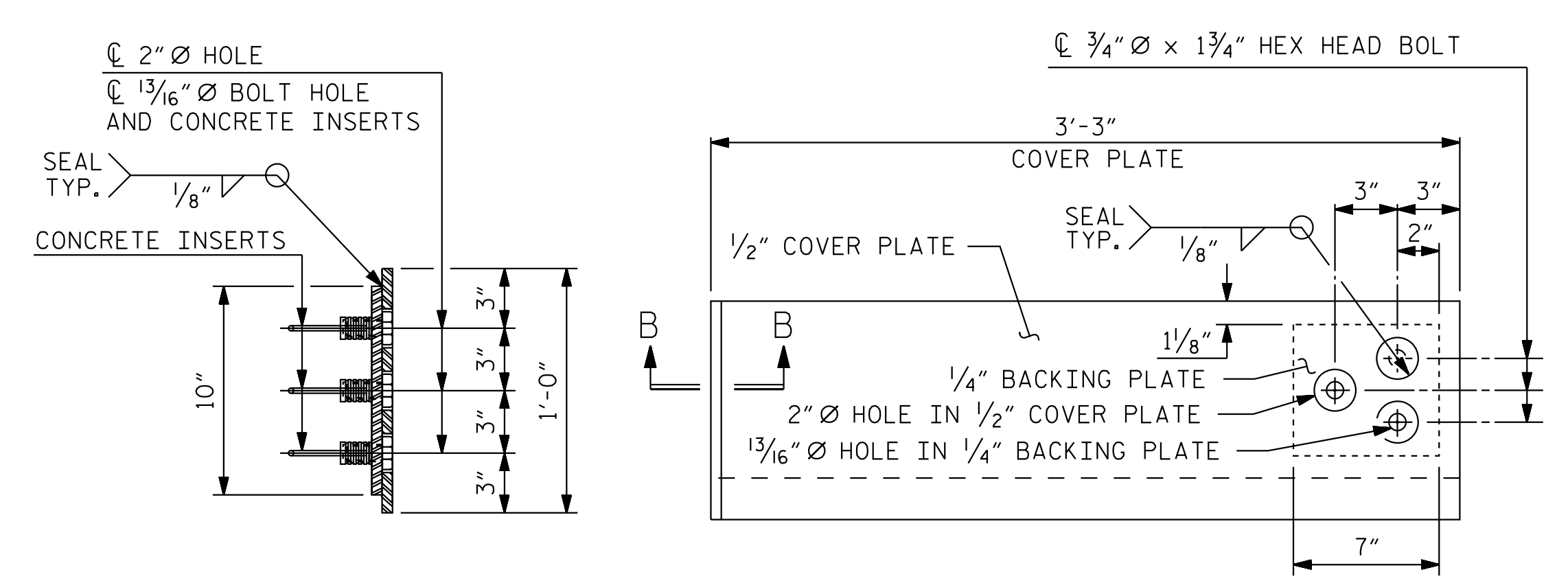
**BLOCK OUT DETAIL**  
SEE "SECTION A-A" FOR OTHER DETAILS.



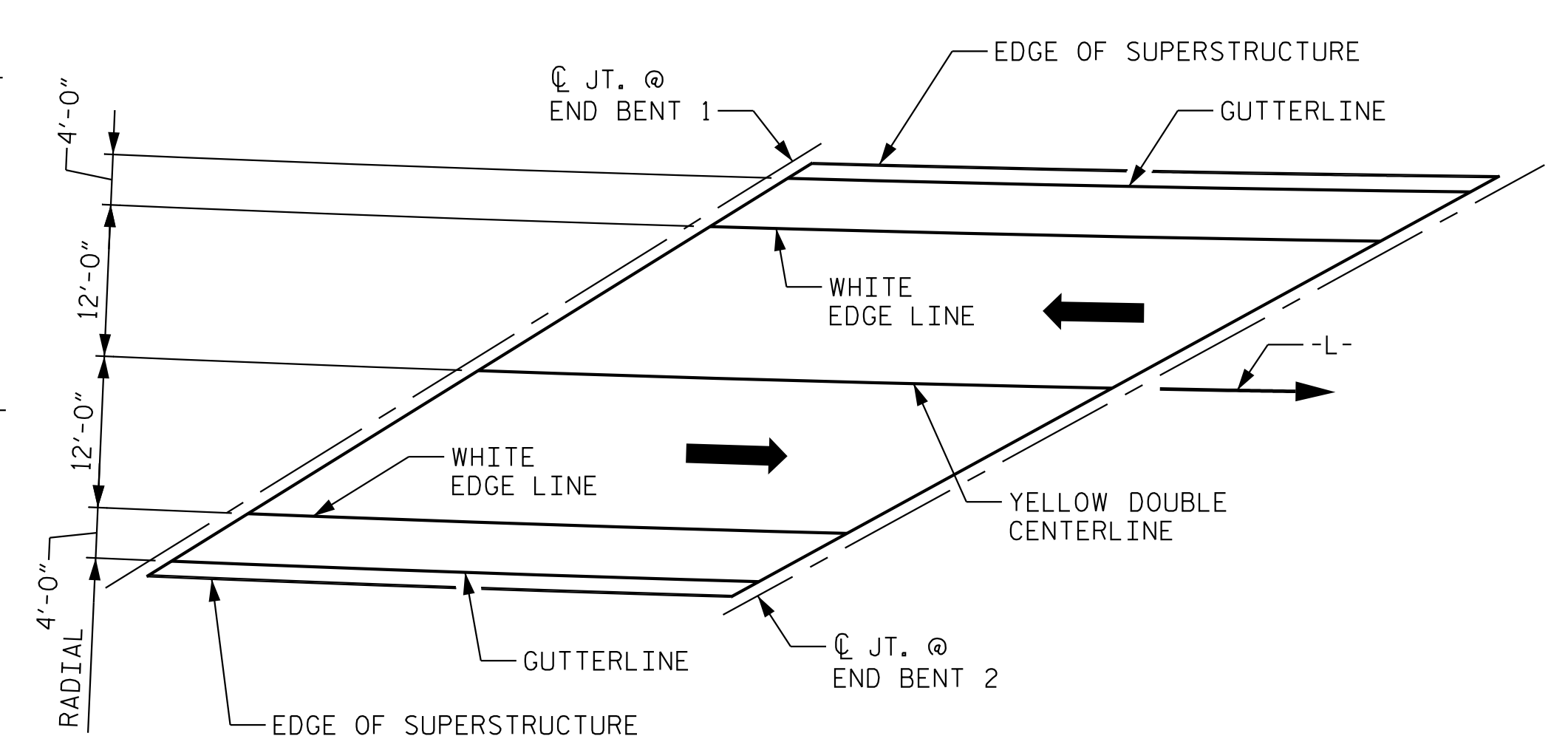
**SECTION A - A**



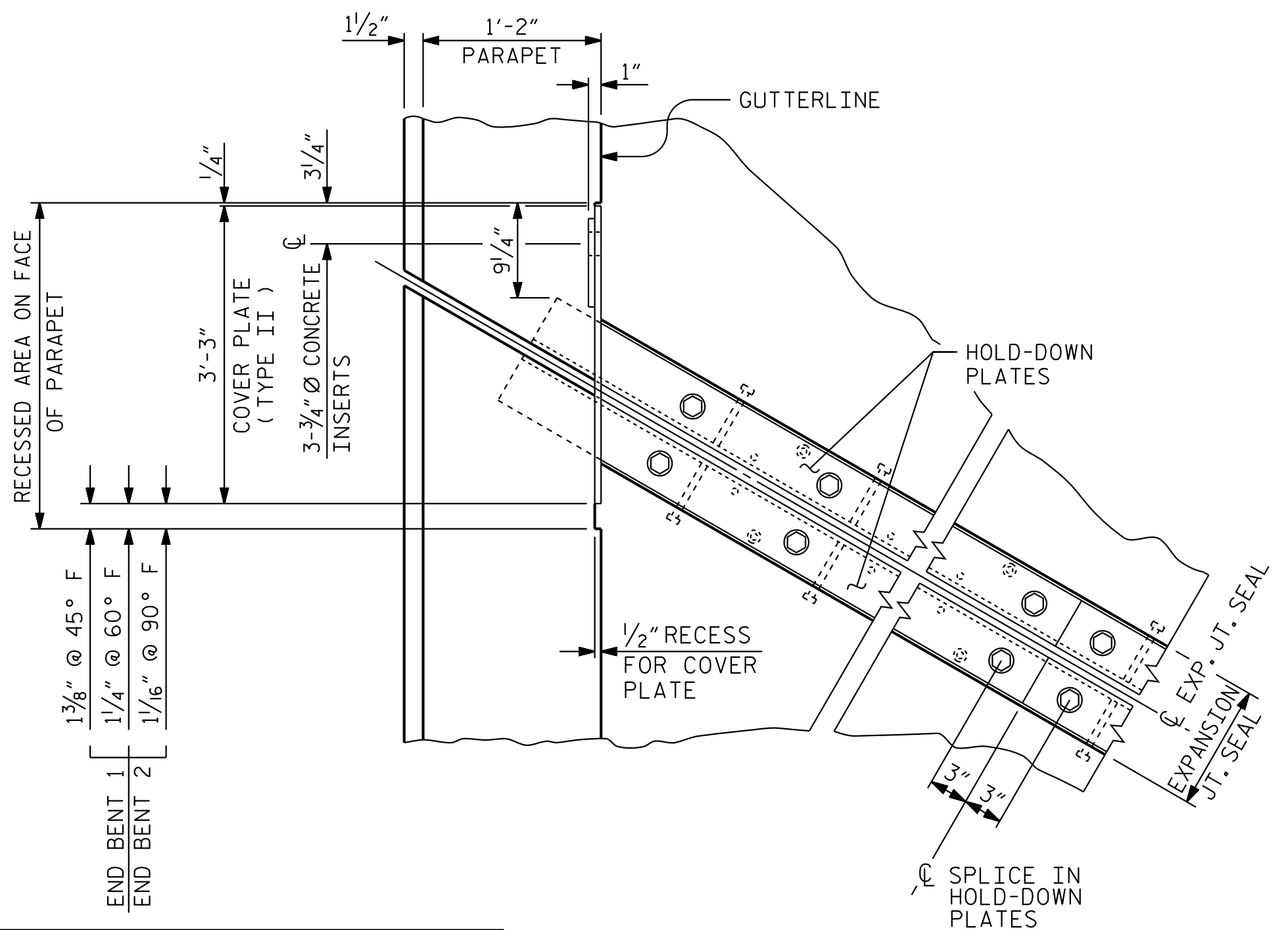
**SECTION B - B**



**COVER PLATE DETAILS**



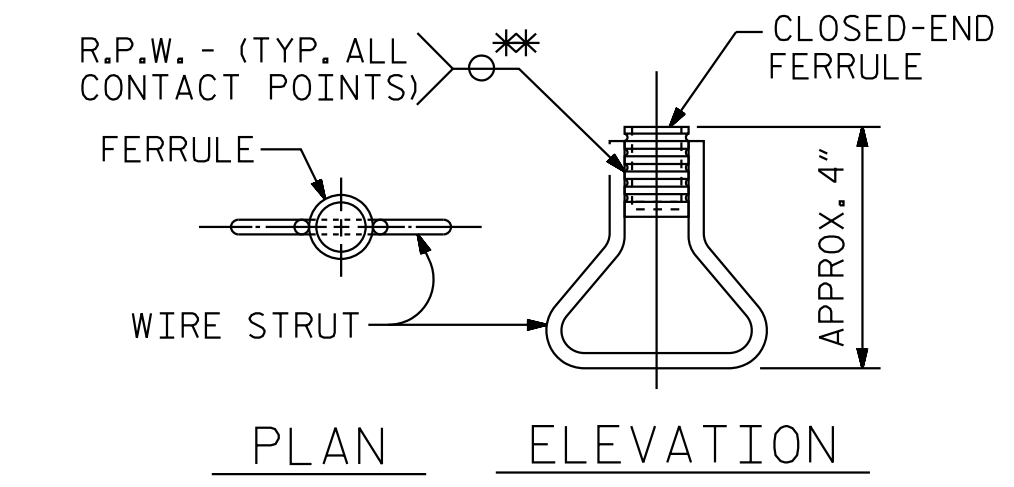
**PAVEMENT MARKING ALIGNMENT**



**PLAN OF EXPANSION JOINT SEAL**

FLOW OF TRAFFIC

FLOW OF TRAFFIC

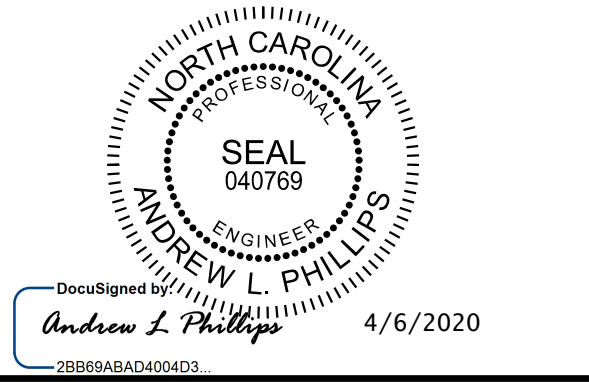


**CONCRETE INSERT**

\* EACH WELDED ATTACHMENT OF WIRE TO FERRULE SHALL DEVELOP THE TENSILE STRENGTH OF THE WIRE.

PROJECT NO. B-5301  
PITT COUNTY  
STATION: 25+98.05 -L-

SHEET 2 OF 2



**Kimley»Horn**  
421 Fayetteville Street, Suite 600  
Raleigh, NC 27601-1772  
Phone (919) 677-2000 NC LICENSE # F-0102

STATE OF NORTH CAROLINA  
DEPARTMENT OF TRANSPORTATION  
RALEIGH  
STANDARD  
EXPANSION JOINT  
SEAL DETAILS FOR  
CONCRETE PARAPET

ASSEMBLED BY : D. D. LOWERY	DATE : 02/20
CHECKED BY : C. T. POOLE	DATE : 02/20
DRAWN BY : REK 9/87	REV. 7/12 MAA/GM
CHECKED BY : CRK 10/87	REV. 6/13 MAA/GM
	REV. 12/17 MAA/THC

**DOCUMENT NOT CONSIDERED FINAL  
UNLESS ALL SIGNATURES COMPLETED**

REVISIONS						SHEET NO.
NO.	BY:	DATE:	NO.	BY:	DATE:	S-34
1			3			TOTAL SHEETS
2			4			55

STD. NO. EJS2