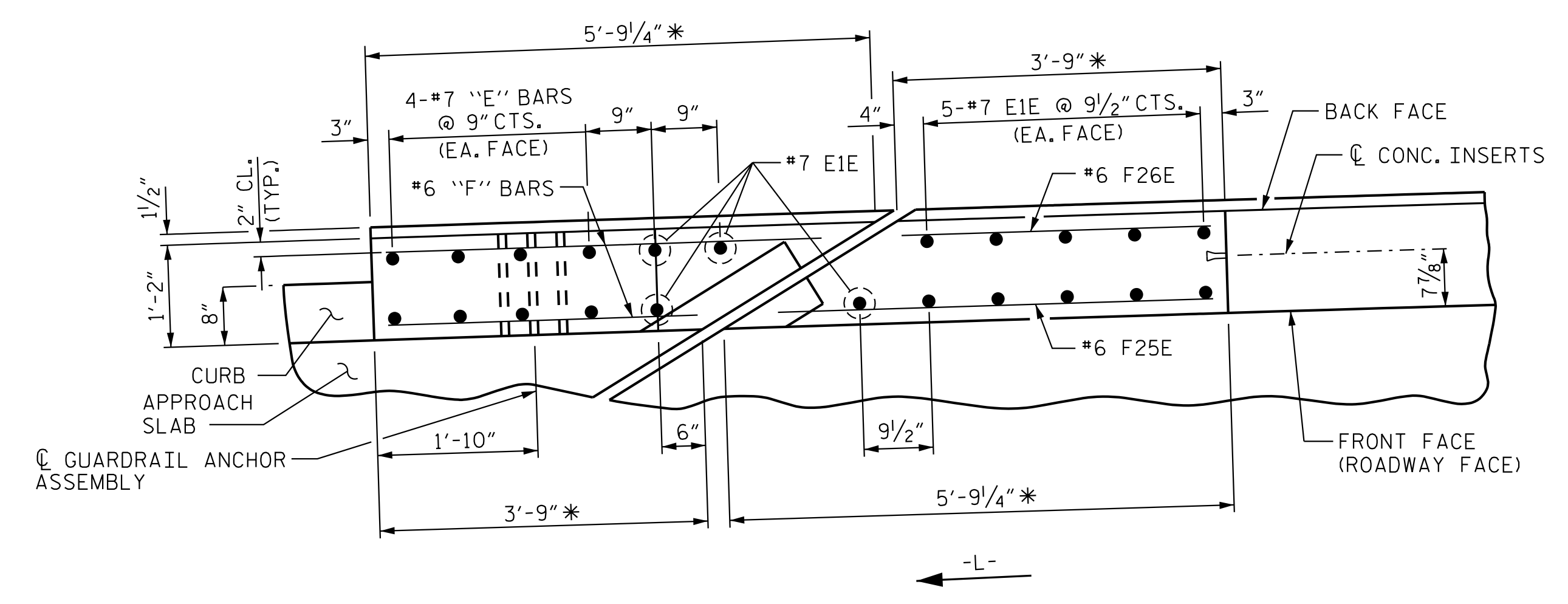
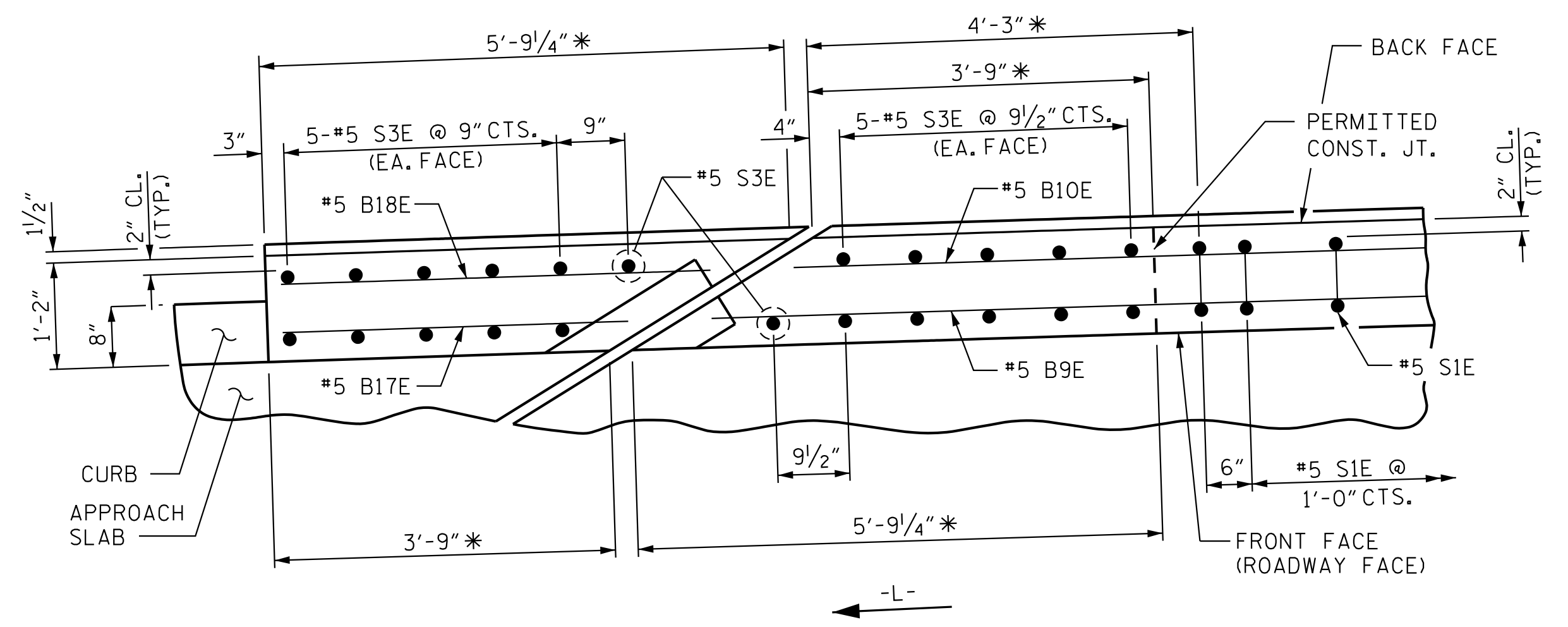


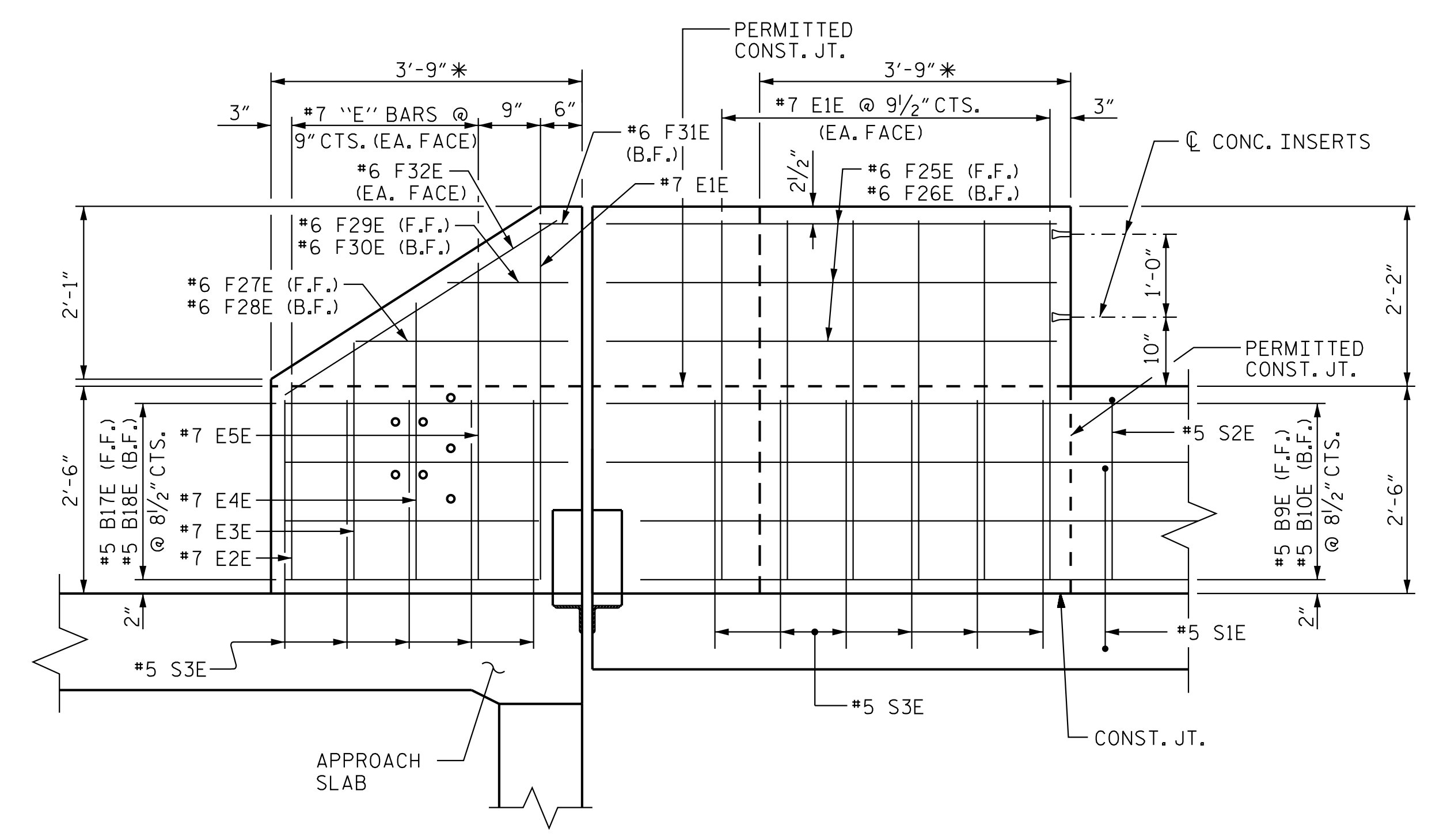
**NOTES:**  
 FOR NOTES & BILL OF MATERIAL, SEE SHEET 6 OF 6.  
 FOR SECTION THRU PARAPET AND END POST, SEE SHEET 6 OF 6.  
 \* ARC DIMENSION MEASURED ALONG EDGE OF PARAPET.



DETAIL J  
 PLAN OF END POST



DETAIL J  
 PLAN OF END PARAPET



ELEVATION - DETAIL J  
 LOOKING AT FRONT FACE (ROADWAY FACE)  
 F.F. - FRONT FACE (ROADWAY FACE)  
 B.F. - BACK FACE

C:\Users\andrew.phillips\k\h\ Raleigh Bridge - Documents\B-5301\Code\Drawn\401\_059\_B5301\_SML\_CPO5\_030\_130087.dgn  
 4/2/2020

DRAWN BY: D. D. LOWERY DATE: 2/20  
 CHECKED BY: C. I. POOLE DATE: 2/20  
 DESIGN ENGINEER OF RECORD: A. L. PHILLIPS DATE: 2/20

**DOCUMENT NOT CONSIDERED FINAL  
 UNLESS ALL SIGNATURES COMPLETED**

Andrew L. Phillips  
 4/6/2020  
 2889ABAD00403

**Kimley»Horn**  
 421 Fayetteville Street, Suite 600  
 Raleigh, NC 27601-1772  
 Phone (919) 677-2000 NC LICENSE # F-0102

PROJECT NO. B-5301  
PITT COUNTY  
 STATION: 25+98.05 -L-

SHEET 5 OF 6

STATE OF NORTH CAROLINA DEPARTMENT OF TRANSPORTATION RALEIGH					
SUPERSTRUCTURE					
CONCRETE PARAPET DETAILS					
REVISIONS					
NO.	BY:	DATE:	NO.	BY:	DATE:
1			3		
2			4		

SHEET NO. S-30	TOTAL SHEETS 55
-------------------	--------------------