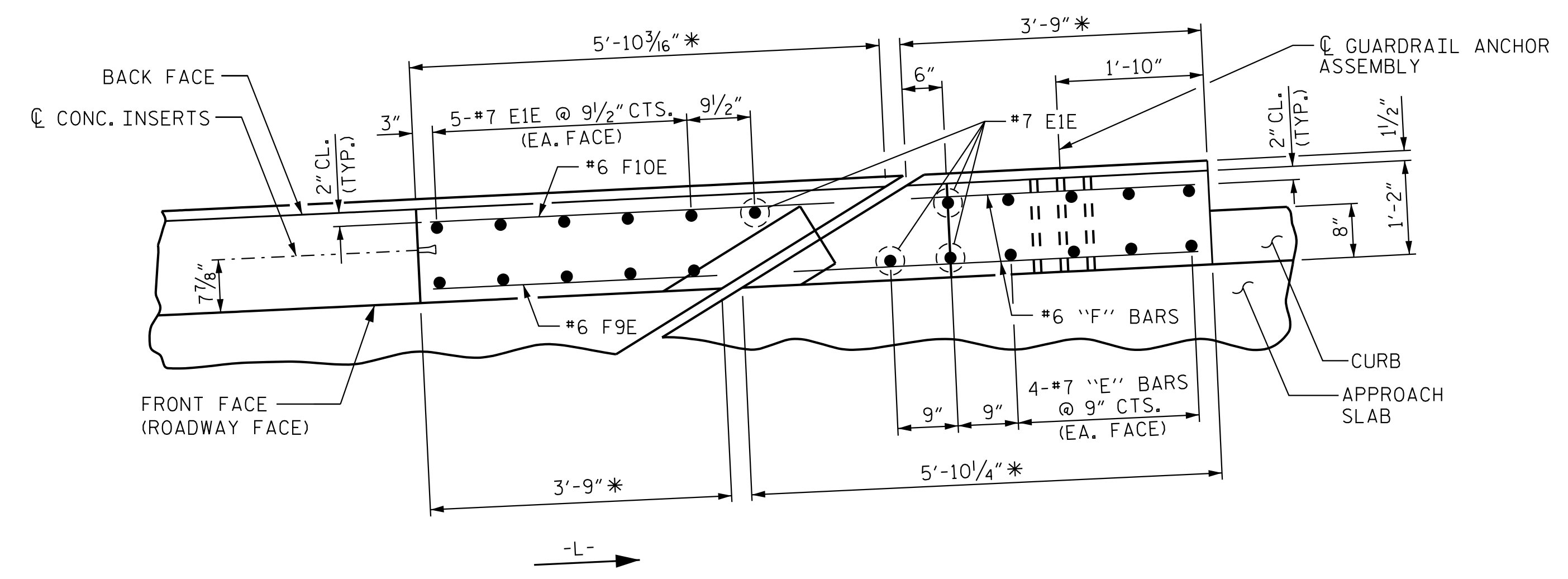
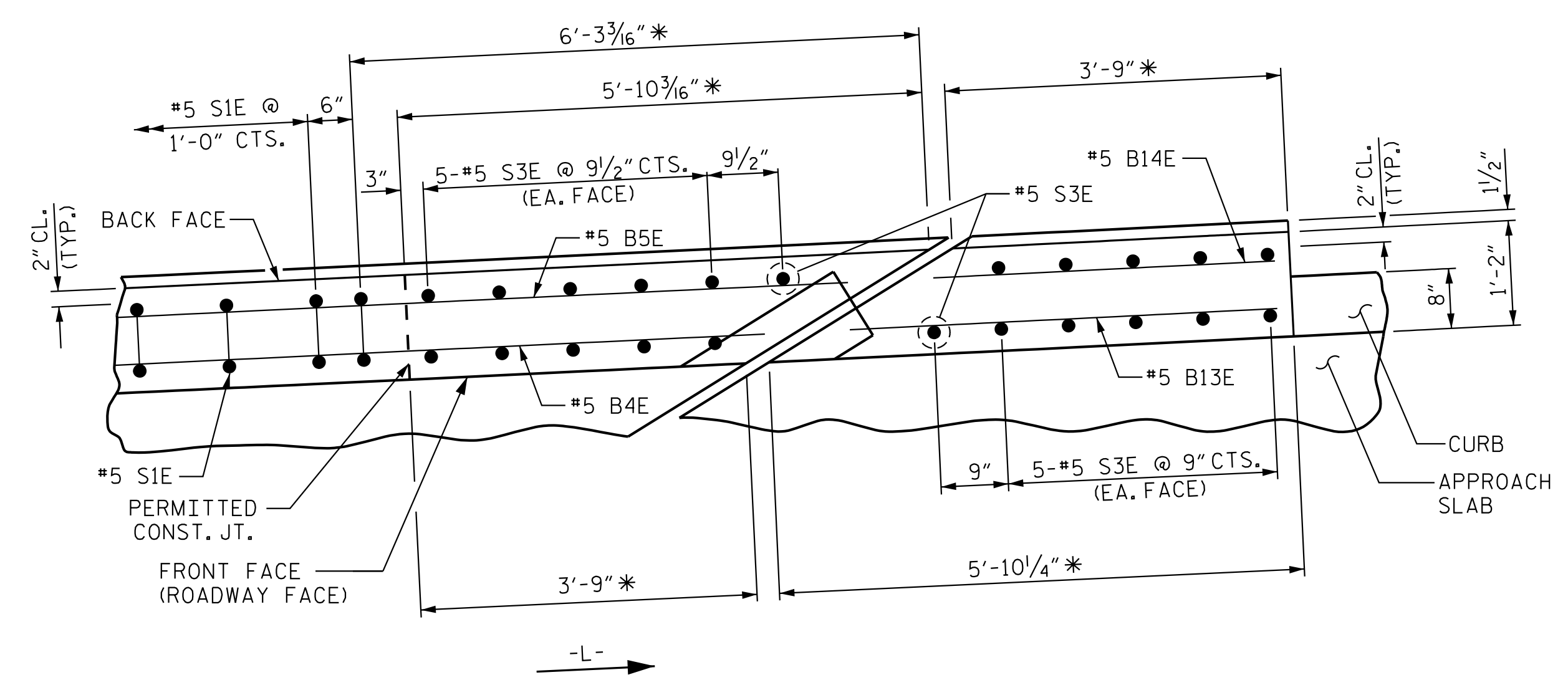


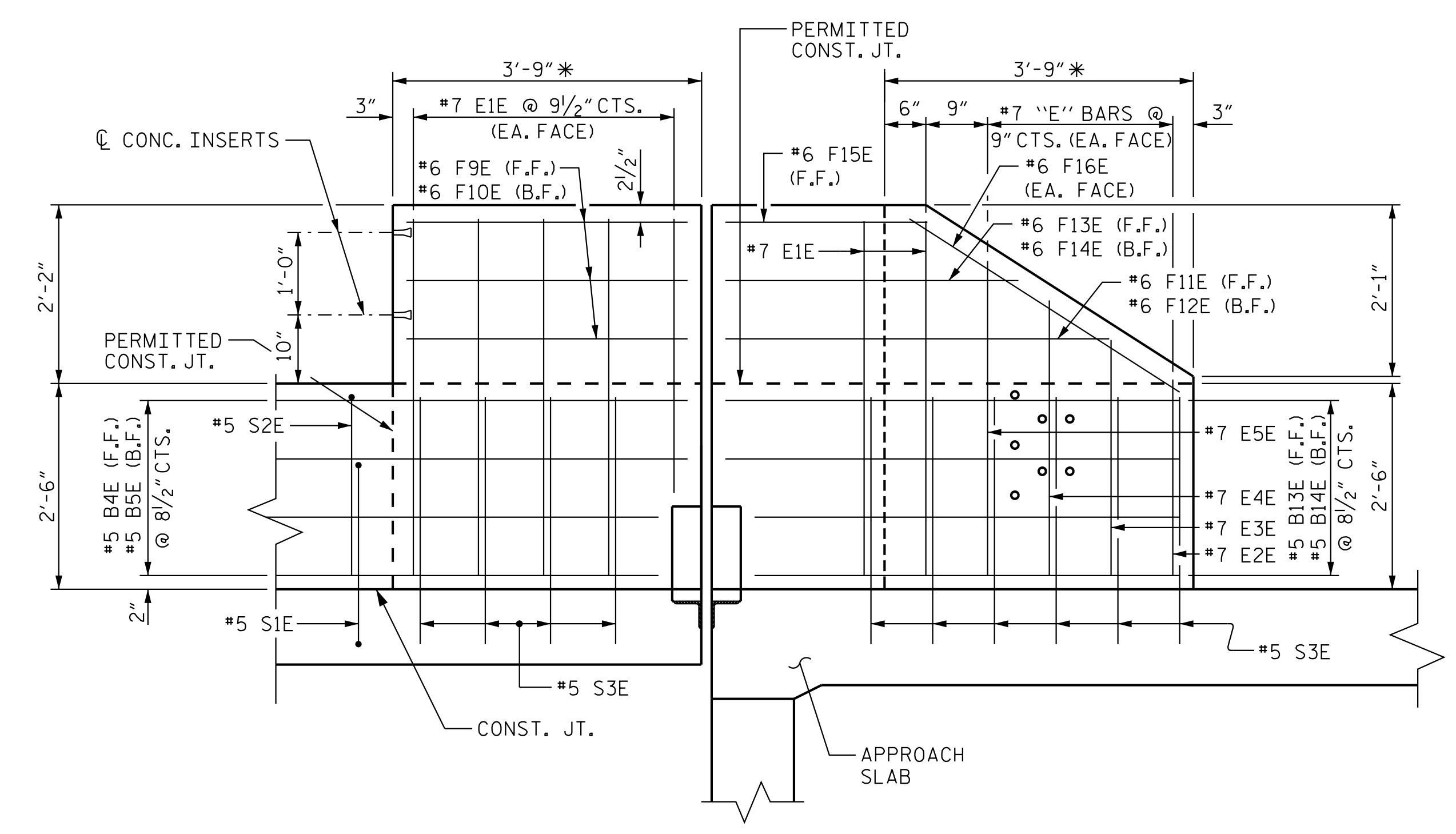
NOTES:
 FOR NOTES & BILL OF MATERIAL, SEE SHEET 6 OF 6.
 FOR SECTION THRU PARAPET AND END POST, SEE SHEET 6 OF 6.
 * ARC DIMENSION MEASURED ALONG EDGE OF PARAPET.



DETAIL H
PLAN OF END POST



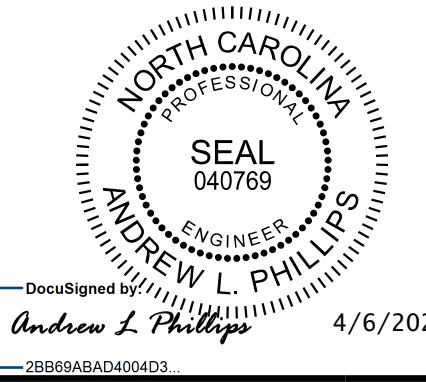
DETAIL H
PLAN OF END PARAPET



ELEVATION - DETAIL H
 LOOKING AT FRONT FACE (ROADWAY FACE)
 F.F. - FRONT FACE (ROADWAY FACE)
 B.F. - BACK FACE

PROJECT NO. B-5301
PITT COUNTY
 STATION: 25+98.05 -L-

SHEET 3 OF 6



Kimley»Horn
 421 Fayetteville Street, Suite 600
 Raleigh, NC 27601-1772
 Phone (919) 677-2000
 NC LICENSE # F-0102

STATE OF NORTH CAROLINA
 DEPARTMENT OF TRANSPORTATION
 RALEIGH
 SUPERSTRUCTURE
 CONCRETE PARAPET
 DETAILS

REVISIONS						SHEET NO.
NO.	BY:	DATE:	NO.	BY:	DATE:	S-28
1			3			TOTAL SHEETS
2			4			55

DRAWN BY: D. D. LOWERY DATE: 2/20
 CHECKED BY: C. I. POOLE DATE: 2/20
 DESIGN ENGINEER OF RECORD: A. L. PHILLIPS DATE: 2/20

DOCUMENT NOT CONSIDERED FINAL
UNLESS ALL SIGNATURES COMPLETED

This document, together with the concepts and designs presented herein, is an integral part of the project. It is intended for the specific project and site and is not to be used for any other project without the written authorization and approval of Kimley-Horn and Associates, Inc. It shall be without liability to Kimley-Horn and Associates, Inc.
 Copyright Kimley-Horn and Associates, Inc., 2020

G:\Users\andrew.phillips\My Documents\Bridges - Documents\B-5301\Code\Drawings\401_055_B5301_SML_CP03_028_T30081.dgn