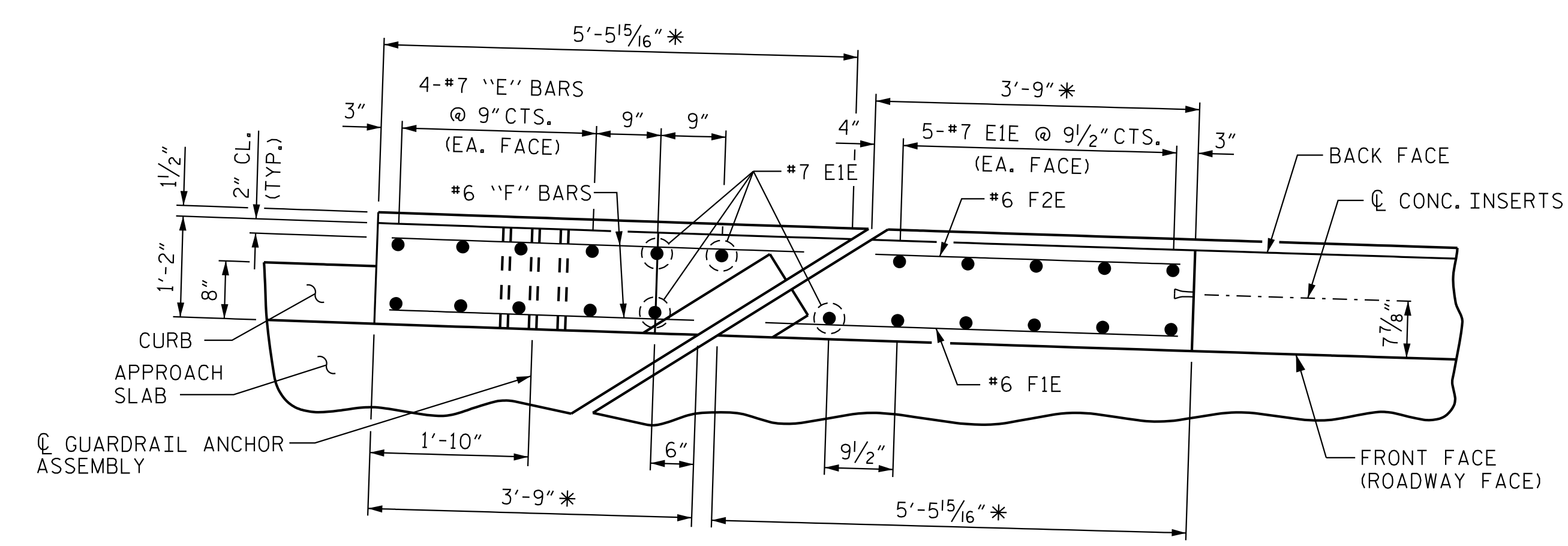
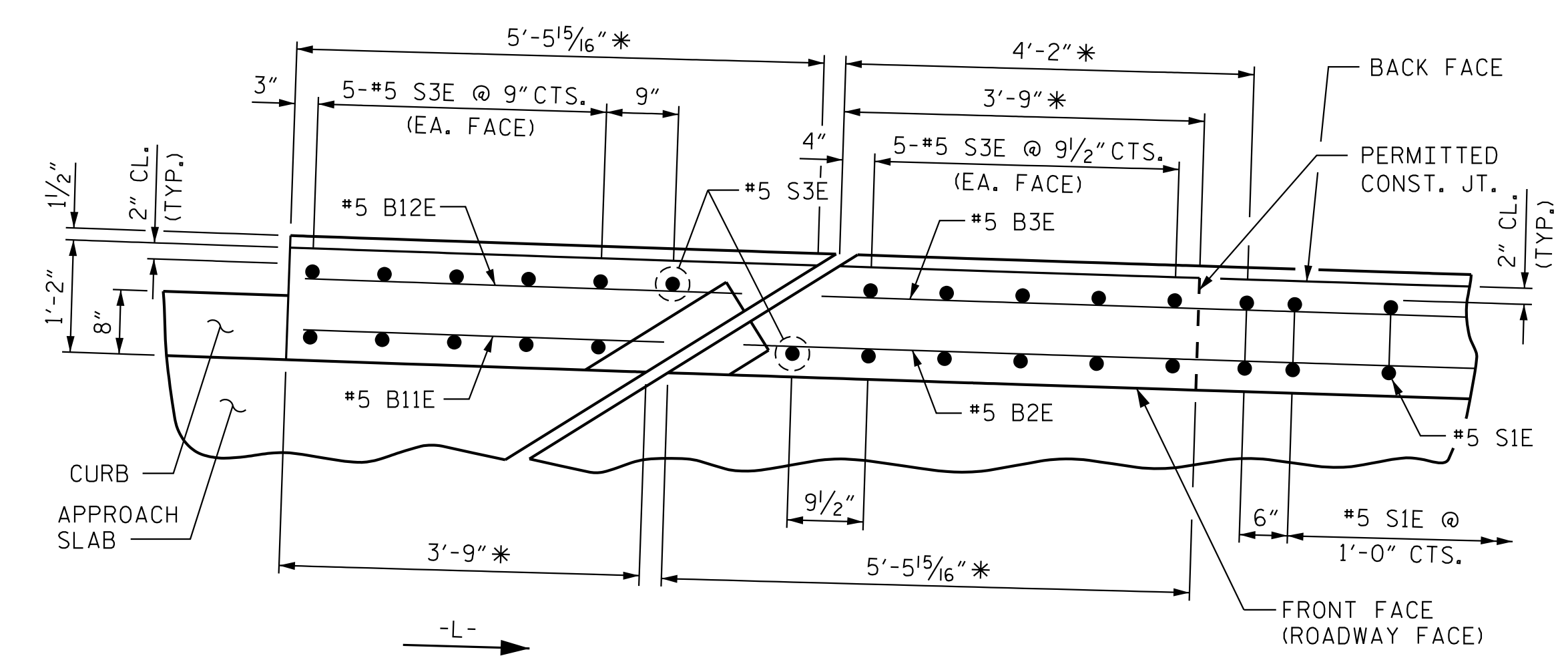


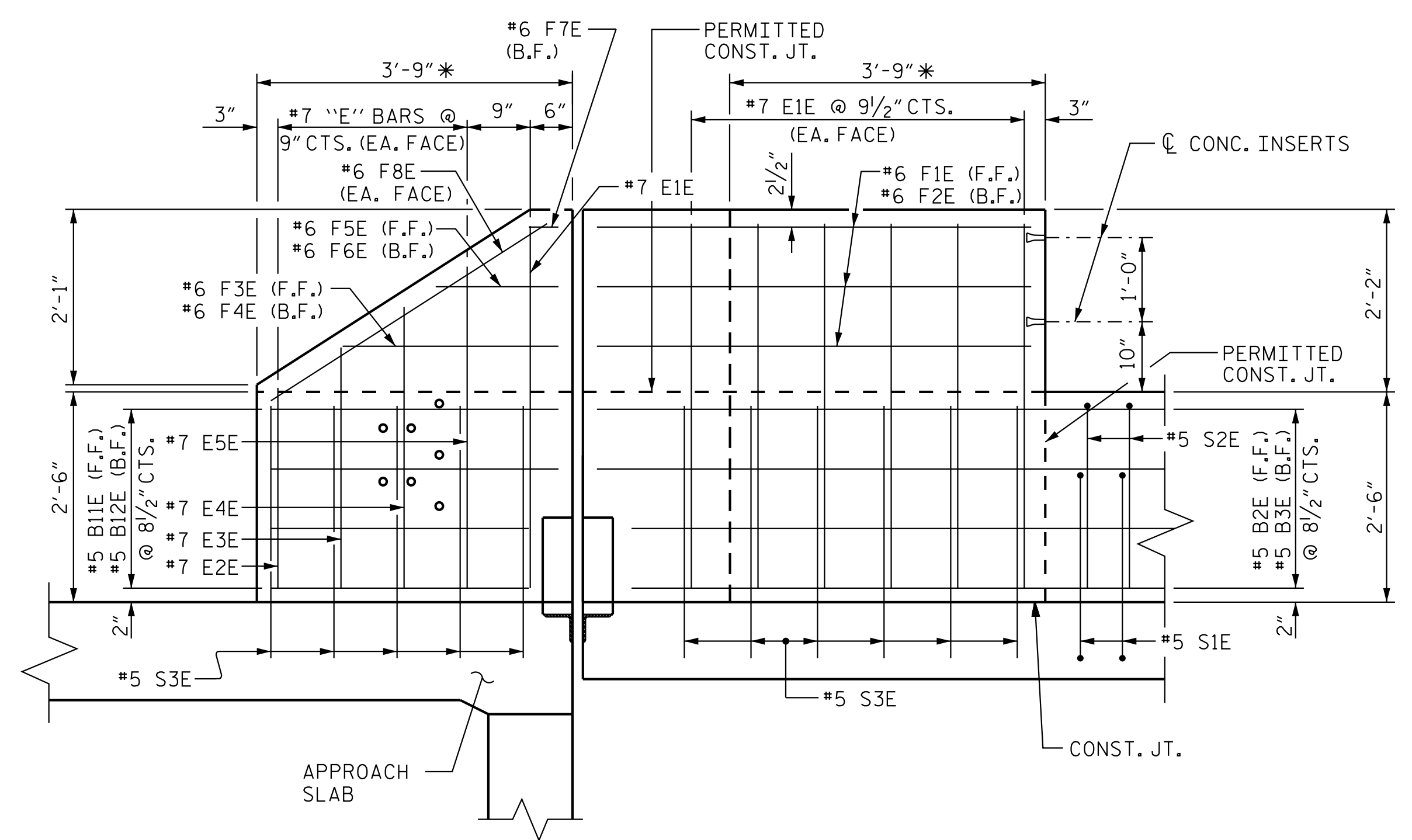
NOTES:
 FOR NOTES & BILL OF MATERIAL, SEE SHEET 6 OF 6.
 FOR SECTION THRU PARAPET AND END POST, SEE SHEET 6 OF 6.
 * ARC DIMENSION MEASURED ALONG EDGE OF PARAPET.



DETAIL G
 PLAN OF END POST



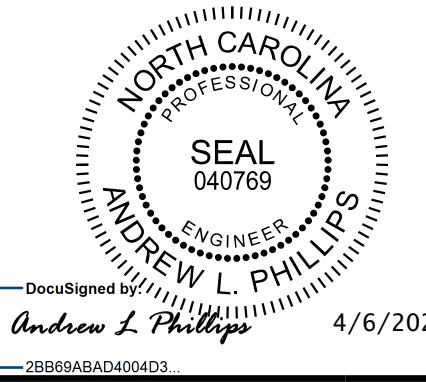
DETAIL G
 PLAN OF END PARAPET



ELEVATION - DETAIL G
 LOOKING AT FRONT FACE (ROADWAY FACE)
 F.F. - FRONT FACE (ROADWAY FACE)
 B.F. - BACK FACE

PROJECT NO. B-5301
PITT COUNTY
 STATION: 25+98.05 -L-

SHEET 2 OF 6



Kimley»Horn
 421 Fayetteville Street, Suite 600
 Raleigh, NC 27601-1772
 Phone (919) 677-2000
 NC LICENSE # F-0102

STATE OF NORTH CAROLINA
 DEPARTMENT OF TRANSPORTATION
 RALEIGH
 SUPERSTRUCTURE
 CONCRETE PARAPET
 DETAILS

REVISIONS						SHEET NO.
NO.	BY:	DATE:	NO.	BY:	DATE:	S-27
1			3			TOTAL SHEETS
2			4			55

**DOCUMENT NOT CONSIDERED FINAL
 UNLESS ALL SIGNATURES COMPLETED**

G:\Users\andrew.phillips\k\h\raleigh_bridges - Documents\B-5301\Cad\Drawn\401_053_B5301_SML_CP02.DWT - T30081.dgn
 4/7/2020

DRAWN BY: D. D. LOWERY DATE: 2/20
 CHECKED BY: C. I. POOLE DATE: 2/20
 DESIGN ENGINEER OF RECORD: A. L. PHILLIPS DATE: 2/20