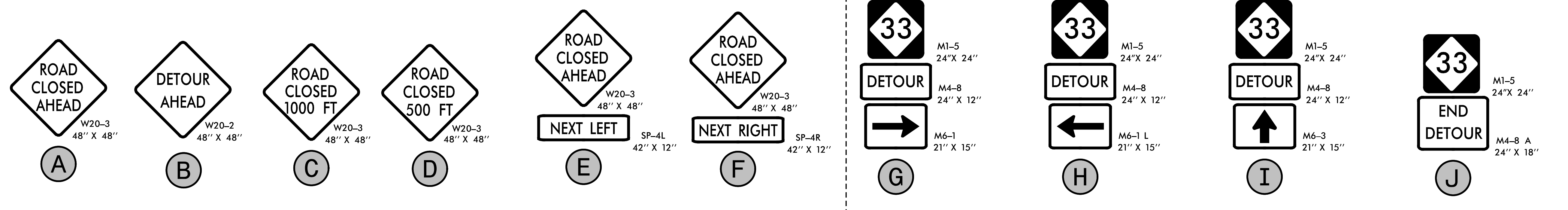
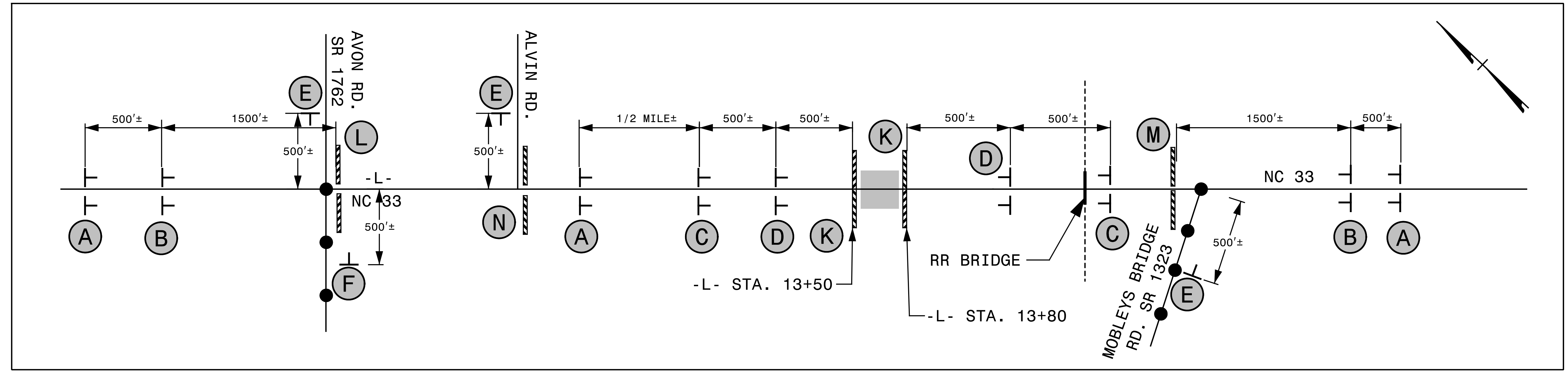
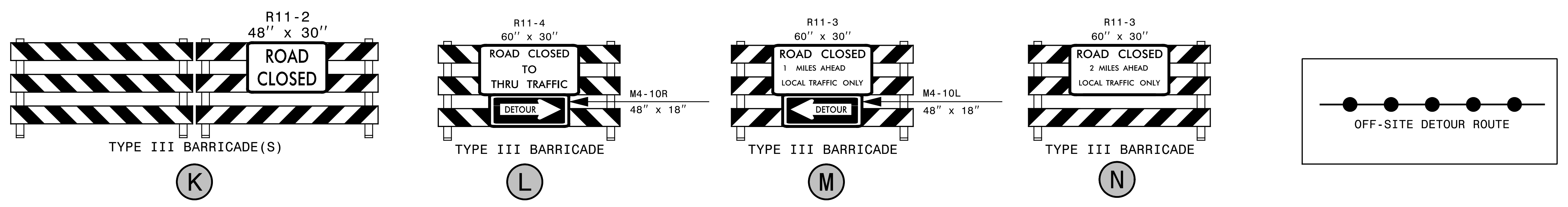


INSET A



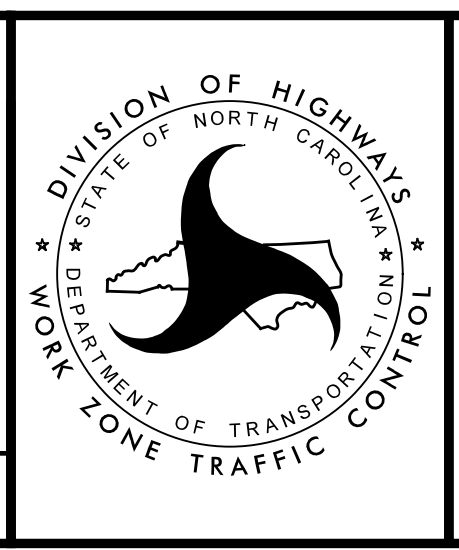
SEE SHEET TMP-12



3/30/2020 X:\2014\04\003\00_B-5301\TrafficControl\TCP_B-5301 TMP-13.dgn jbauman

SEPI
1 Glenwood Avenue
Raleigh, NC 27603
Tel: 919.789.9977
Fax: 919.789.9591
License: C-2197

APPROVED: *Steve Miller*
DATE: _____
SEAL
NORTH CAROLINA PROFESSIONAL ENGINEER
SEAL 037026
STEVEN D. MILLER



TEMPORARY TRAFFIC CONTROL ROAD CLOSURE FOR CONCRETE REMOVAL AND REPLACE

DOCUMENT NOT CONSIDERED FINAL UNLESS ALL SIGNATURES COMPLETED