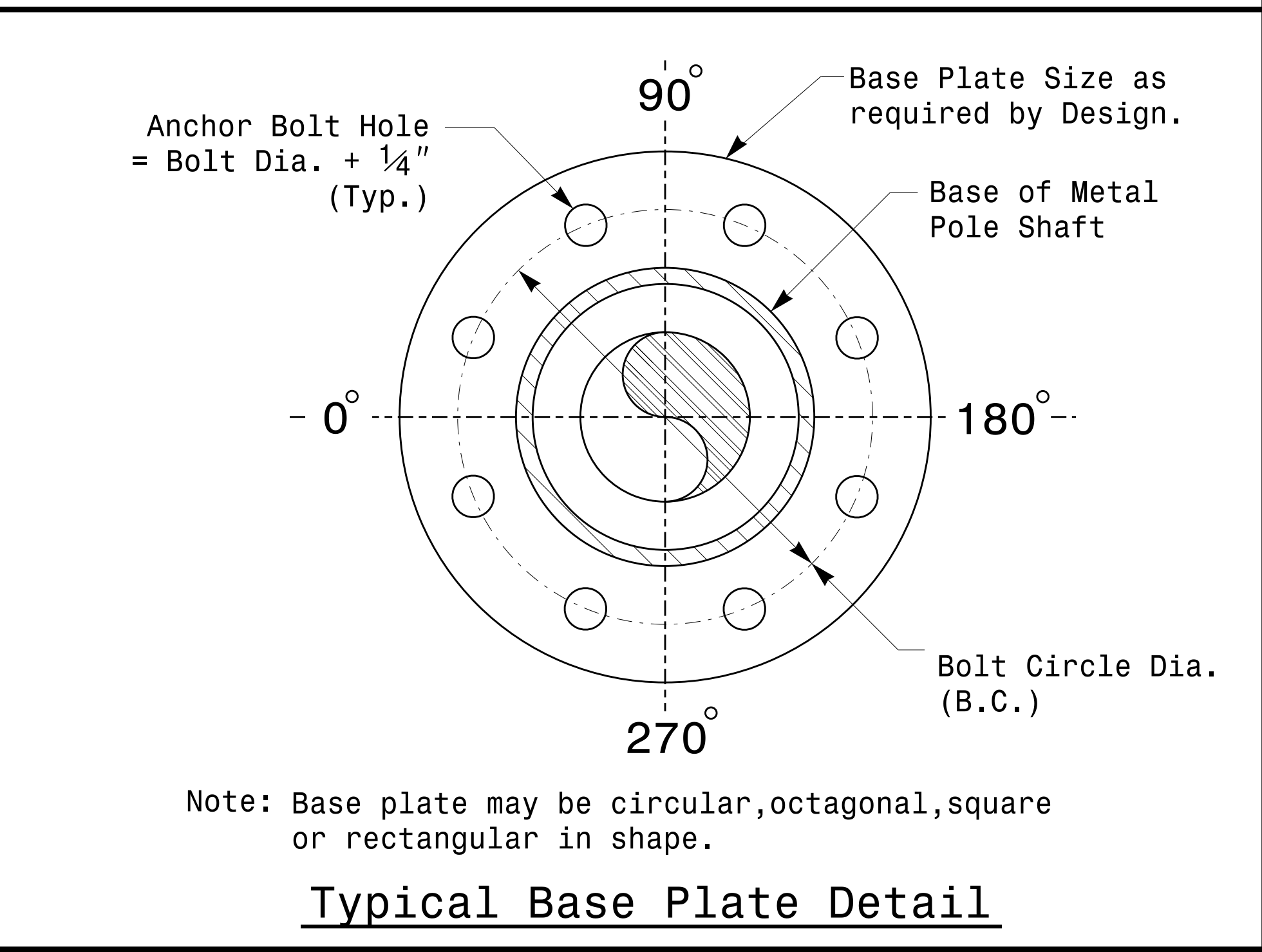
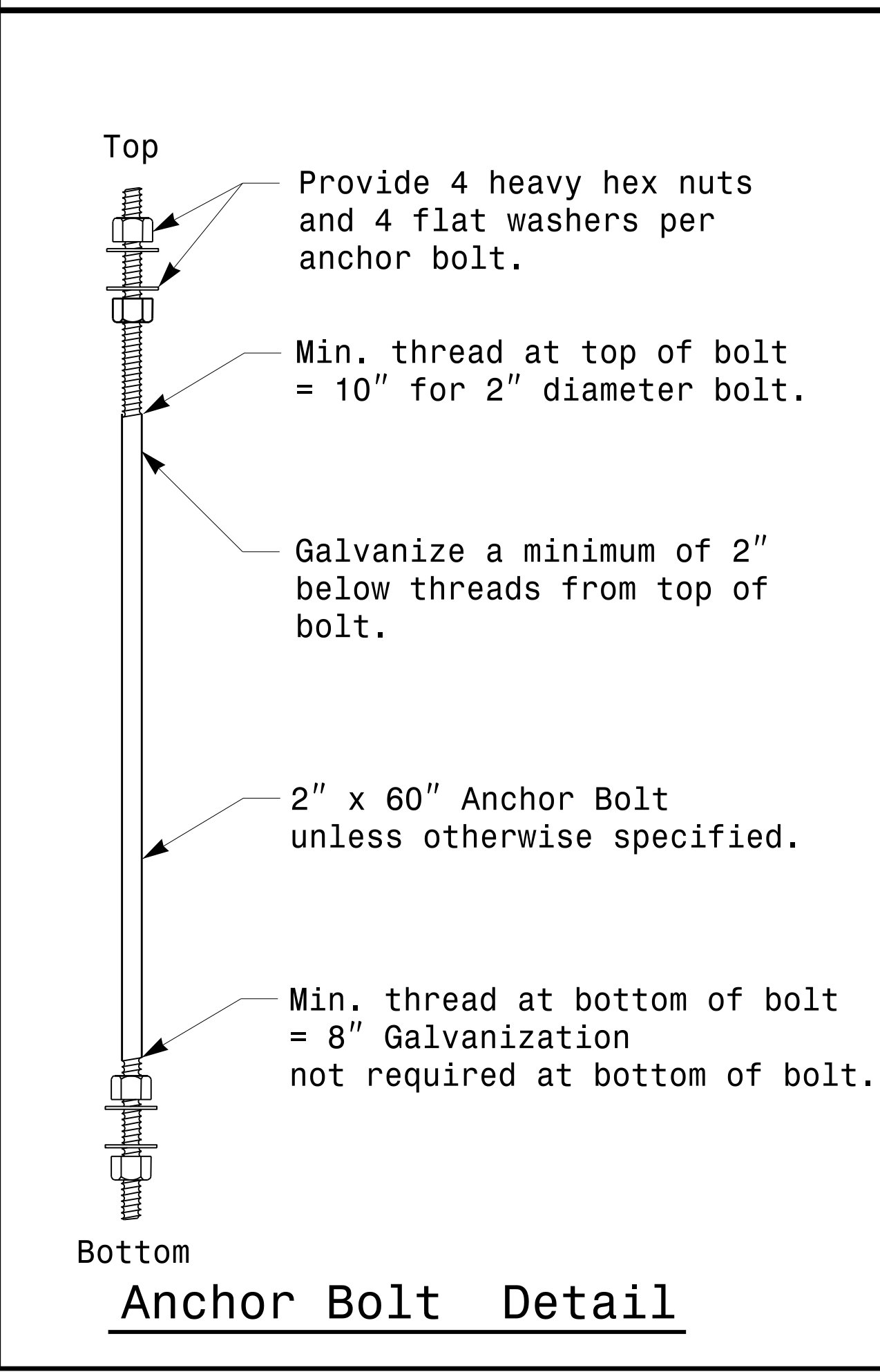
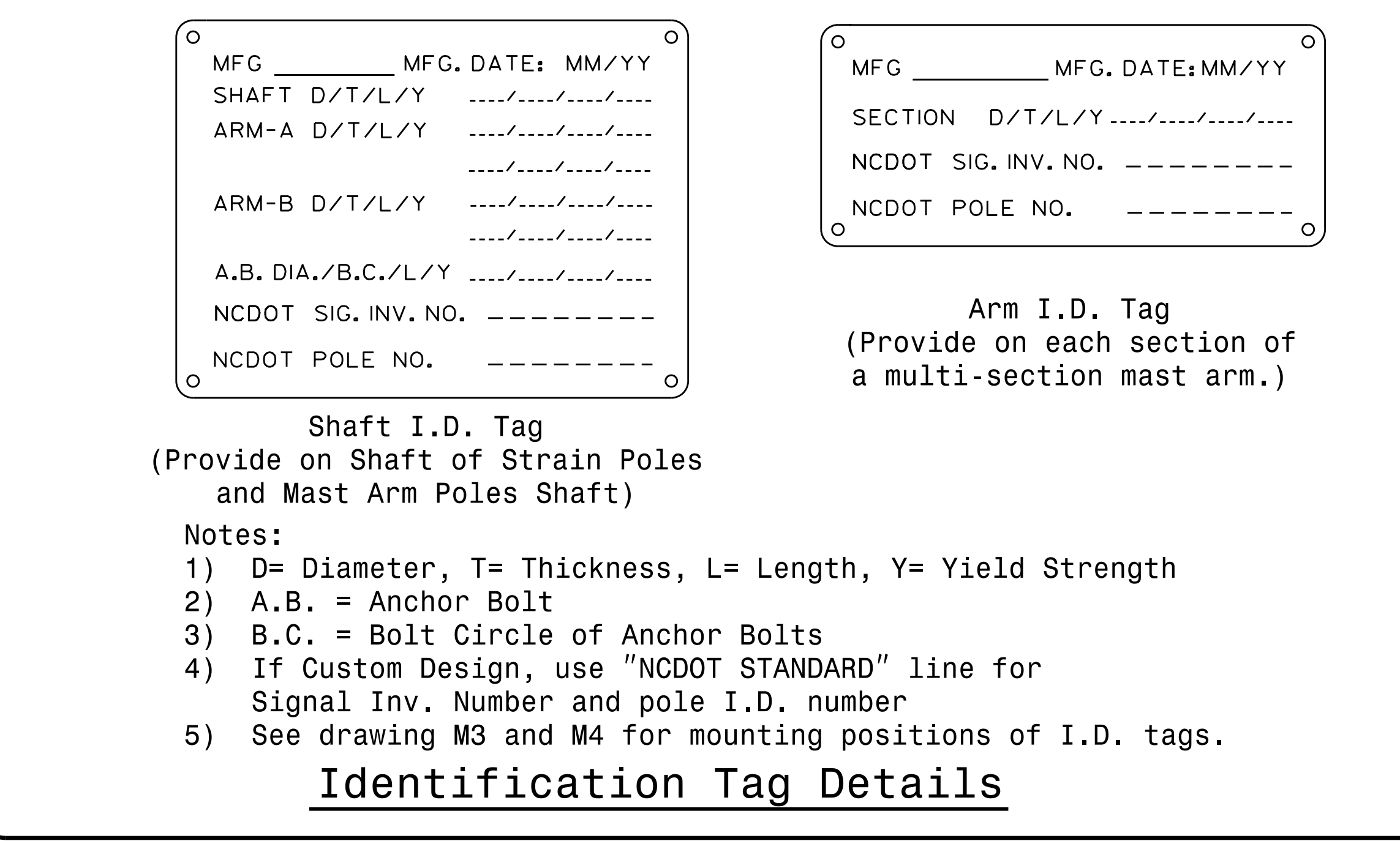
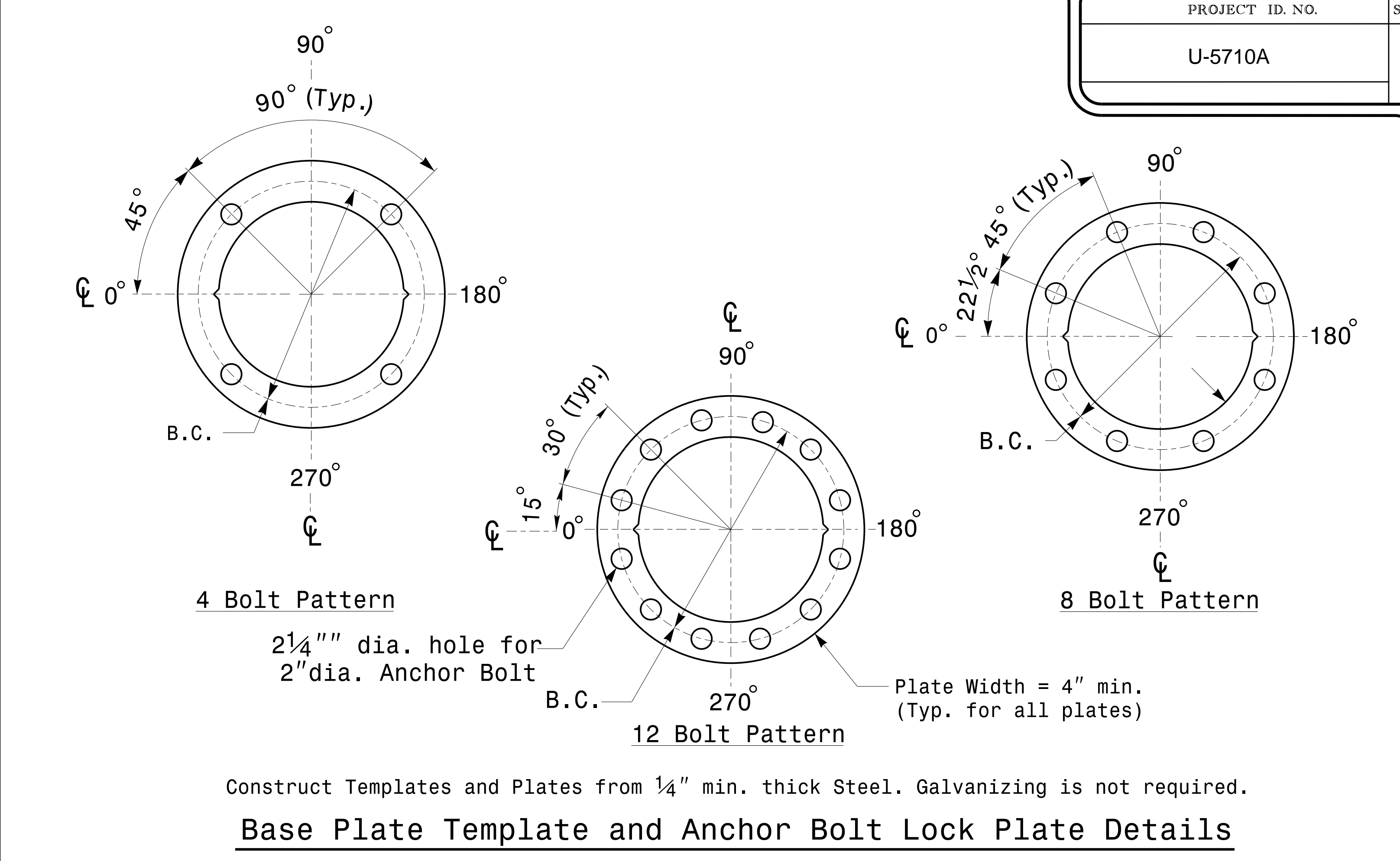
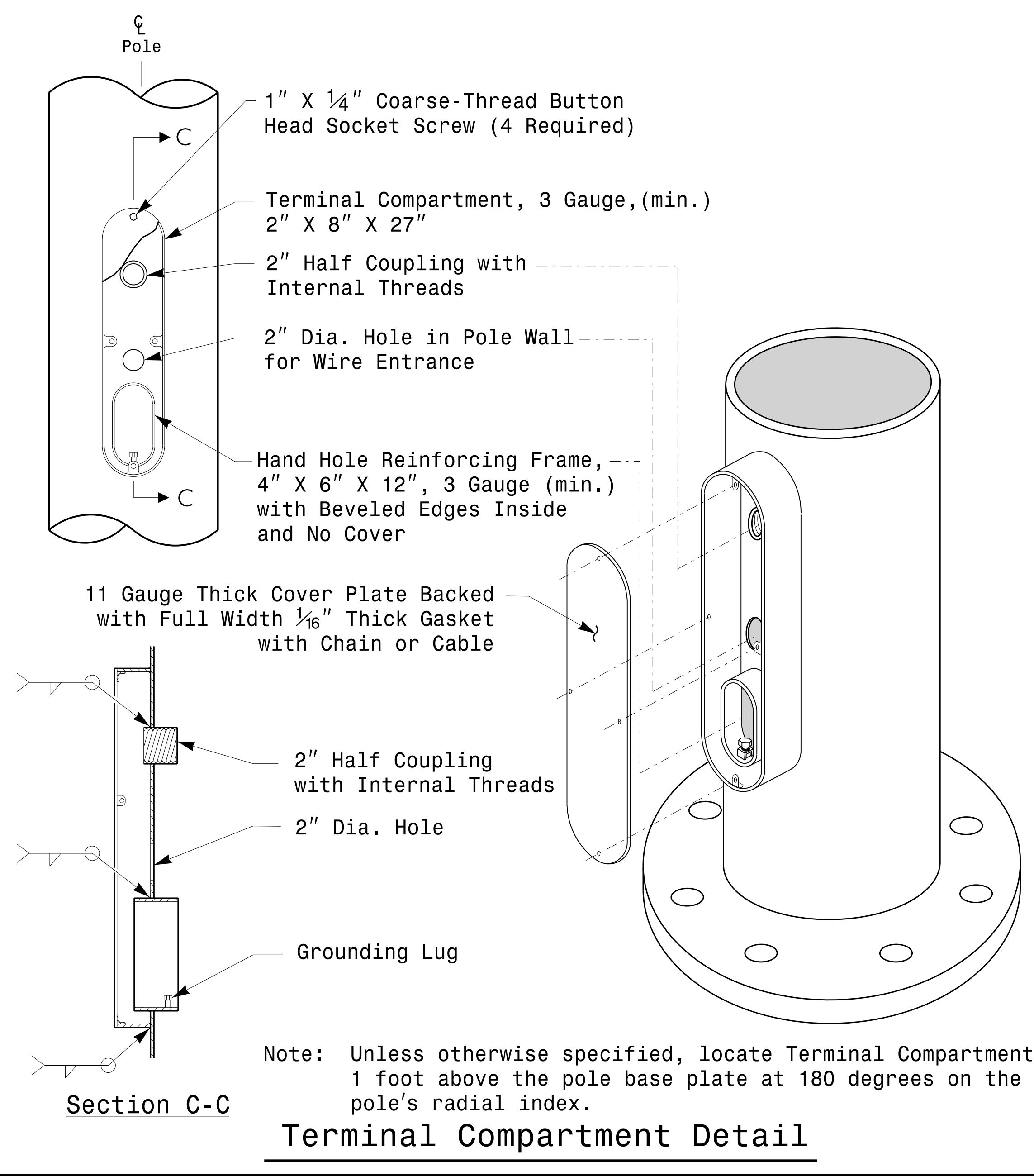


PROJECT ID. NO.	SHEET NO.
U-5710A	Sig.M2

Fabrication Details – All Metal Poles



	Prepared In the Offices of: 		Typical Fabrication Details For All Metal Poles	
	PLAN DATE: OCTOBER 2017 PREPARED BY: N. BITTING	DESIGNED BY: C.F. ANDREWS REVIEWED BY: D.C. SARKAR	REVISIONS INIT. DATE	SEAL NORTH CAROLINA PROFESSIONAL ENGINEER SEAL 028094 D. C. SARKAR 10/11/2017 DATE

11-01-2017 08:30 136504115 Signal Design Section Eastern Region 46 Sheets 2016 2014 Sig.M2 Std. Fabrication Details-All Poles.dgn