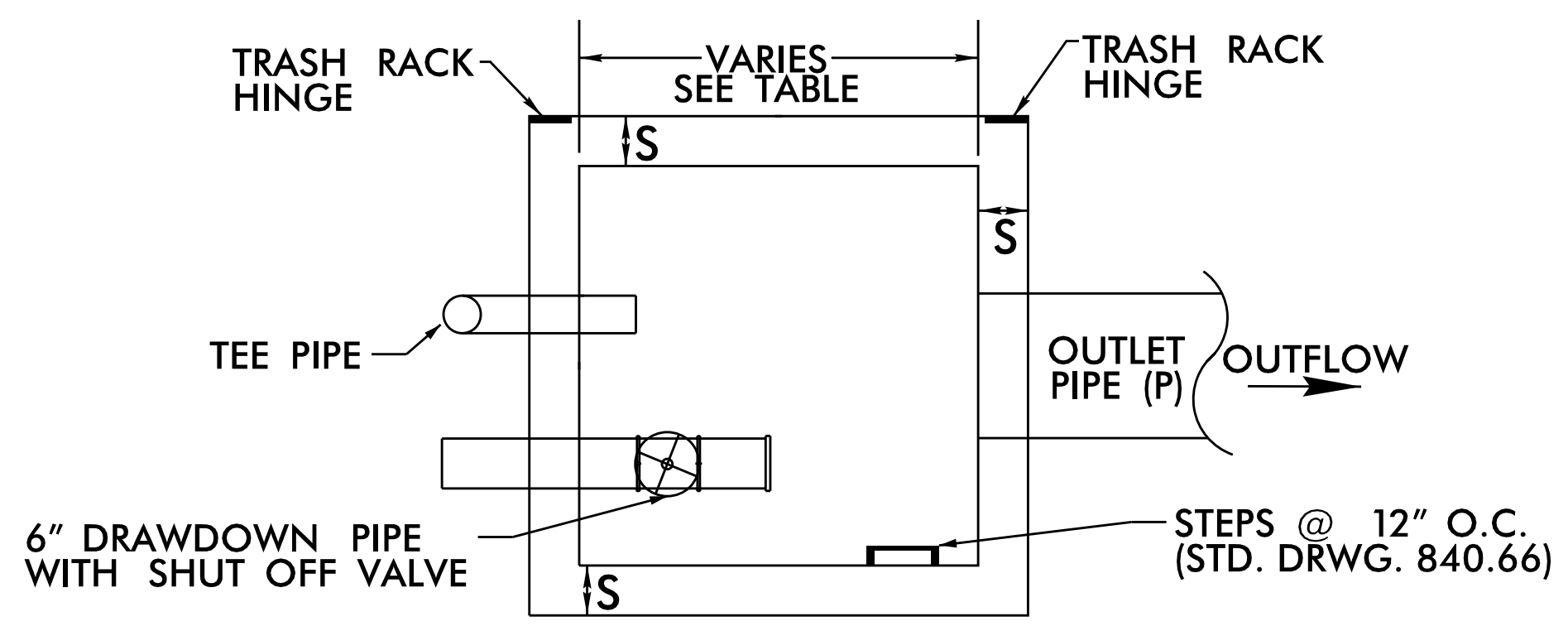
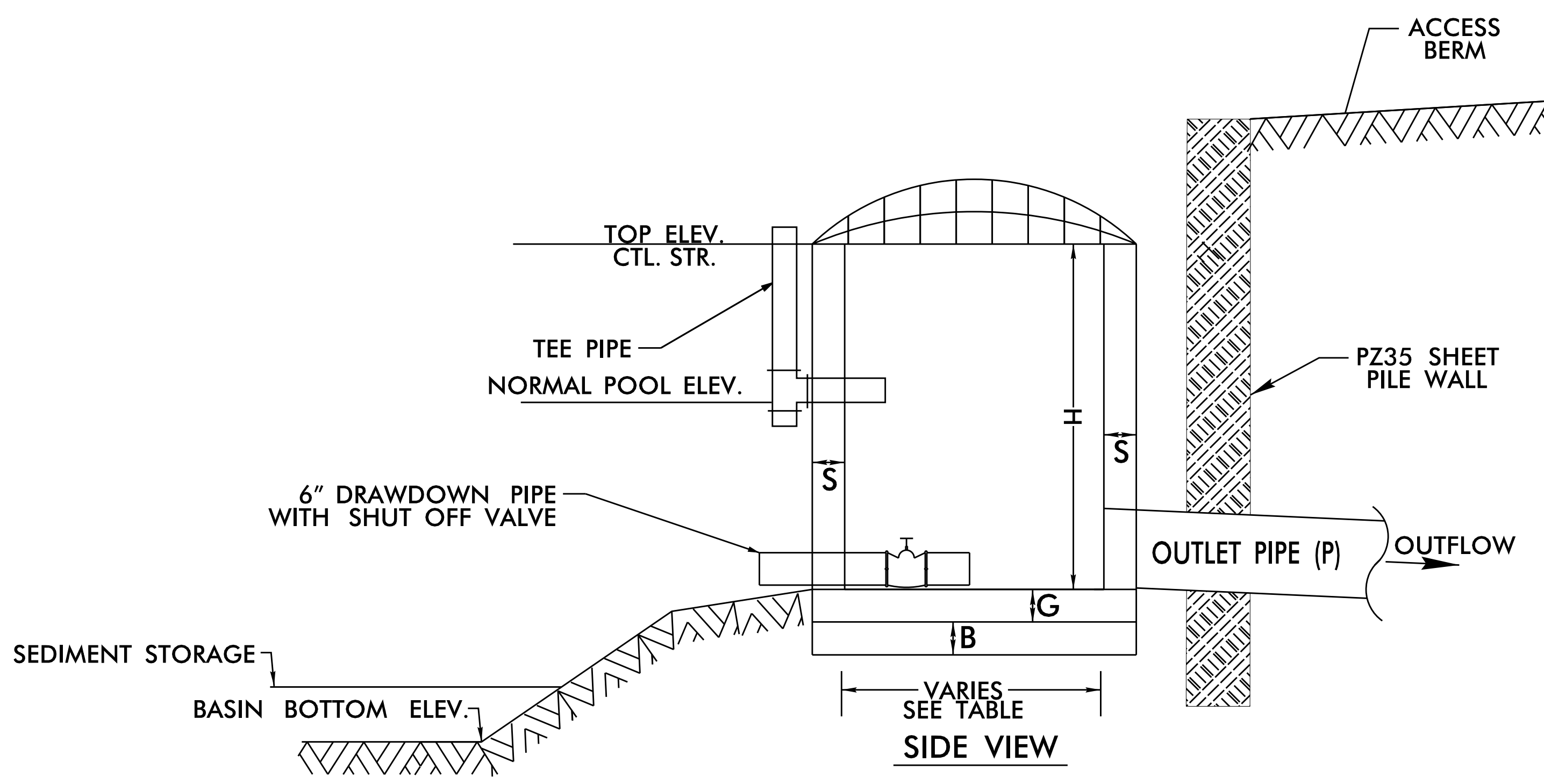


6/2/2019

DRAWDOWN STRUCTURE DETAIL

NOT TO SCALE



TRASH RACK NOT SHOWN FOR CLARITY

NOTES

- 1) NO BEDDING MATERIAL TO BE USED. THEREFORE, DO NOT FOLLOW STANDARD DRAWINGS FOR METHOD OF PIPE INSTALLATION FOR OUTLET PIPE THROUGH EMBANKMENT.
- 2) ENSURE TRASH RACK OPENS FREELY AND WITHOUT INTERFERENCE.
- 3) SHUT OFF VALVE MAY BE A GATE VALVE, BALL VALVE, SHEAR GATE, ETC. SHUT OFF VALVE IS TO REMAIN CLOSED DURING NORMAL OPERATON.

MINIMUM DIMENSIONS FOR WET DETENTION BASIN DRAWDOWN STRUCTURE

STATION	OFFSET	STRUCTURE NUMBER	SIDE WALLS (INCHES)	BASE B (INCHES)	BASE G (INCHES)	CTL. STR. DIMENSIONS			TOP ELEVATION CONTROL STRUCTURE	BASIN BOTTOM ELEV.	TEE PIPE DIAMETER INCHES	TEE PIPE INV. ELEV. (NORMAL POOL)	DRAWDOWN PIPE INVERT	OUTLET PIPE INVERT	OUTLET PIPE DIAMETER(P) INCHES	OUTLET PIPE MATERIAL
						W	L	H								
11+72.78 -Y2-	46.14' RT	0617	10	10	12	3.5'	3.5'	3.75'	21.75'	11.00'	1.5	18.50'	18.00'	18.00'	24	CONCRETE

PROJECT REFERENCE NO. U-5710A	SHEET NO. 2D-2
HYDRAULICS ENGINEER 12/9/2021	
DOCUMENT NOT CONSIDERED FINAL UNLESS ALL SIGNATURES COMPLETED	
HDR Engineering, Inc. of the Carolinas 555 Fayetteville St, Suite 900 Raleigh, N.C. 27601 N.C.B.E.L.S. License Number: F-0116	

PLOT DRIVER: NCDOT_pdf_color_eng_50.plt
 USER: CHARRIS
 FILE: North_Carolina_Dept_of_Transportation\2014_16_Planning_Design_LSA\U-5710_TO_4_c\06.00_Project_Engineering_and_Design\U-5710A_Hydr-aulics\CADD\U5710A_HYD_Pond_Detail.dgn
 PENTABLE: NCDOT_pshpfl_conventional.tbl
 TIME: 10:27:05 AM
 DATE: 12/9/2021

REVISIONS