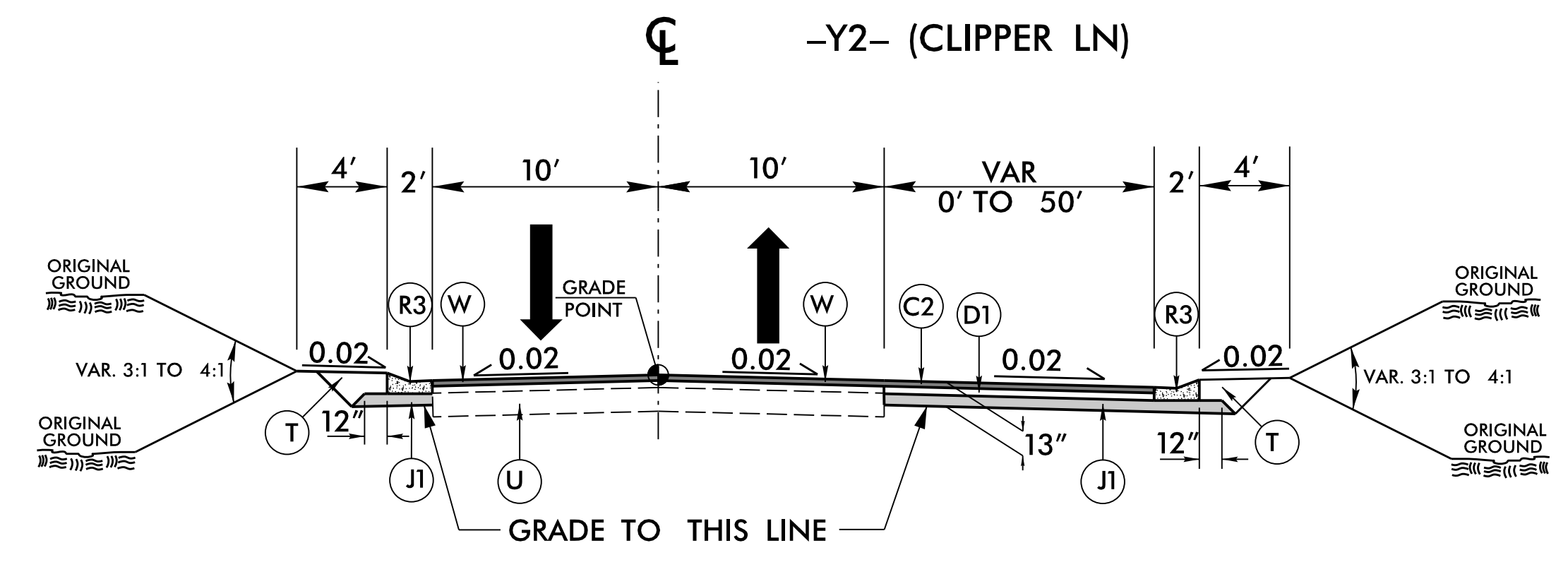
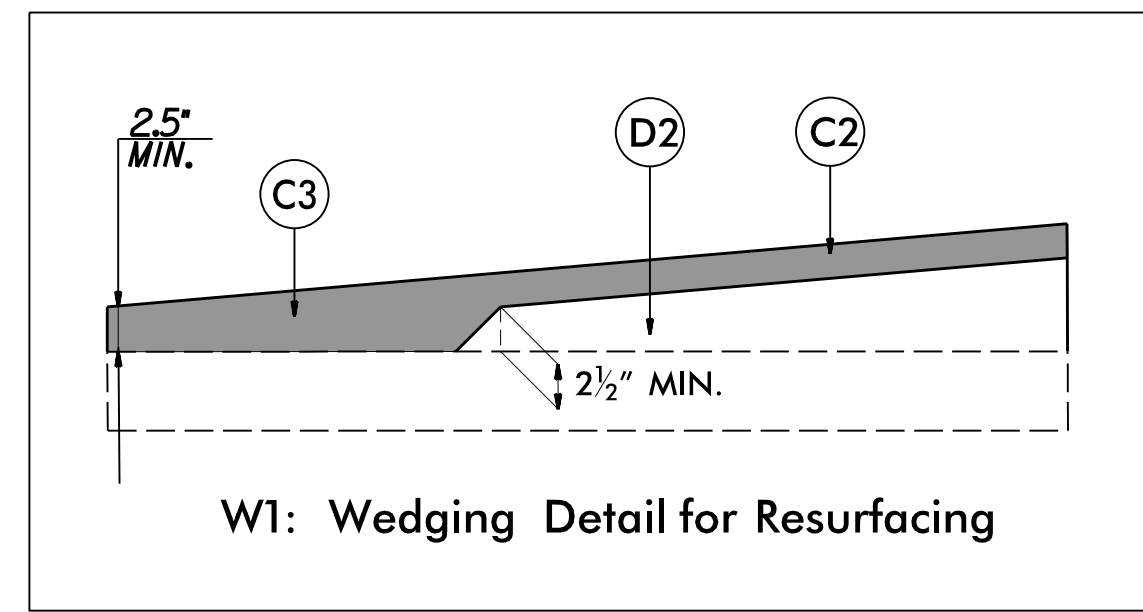
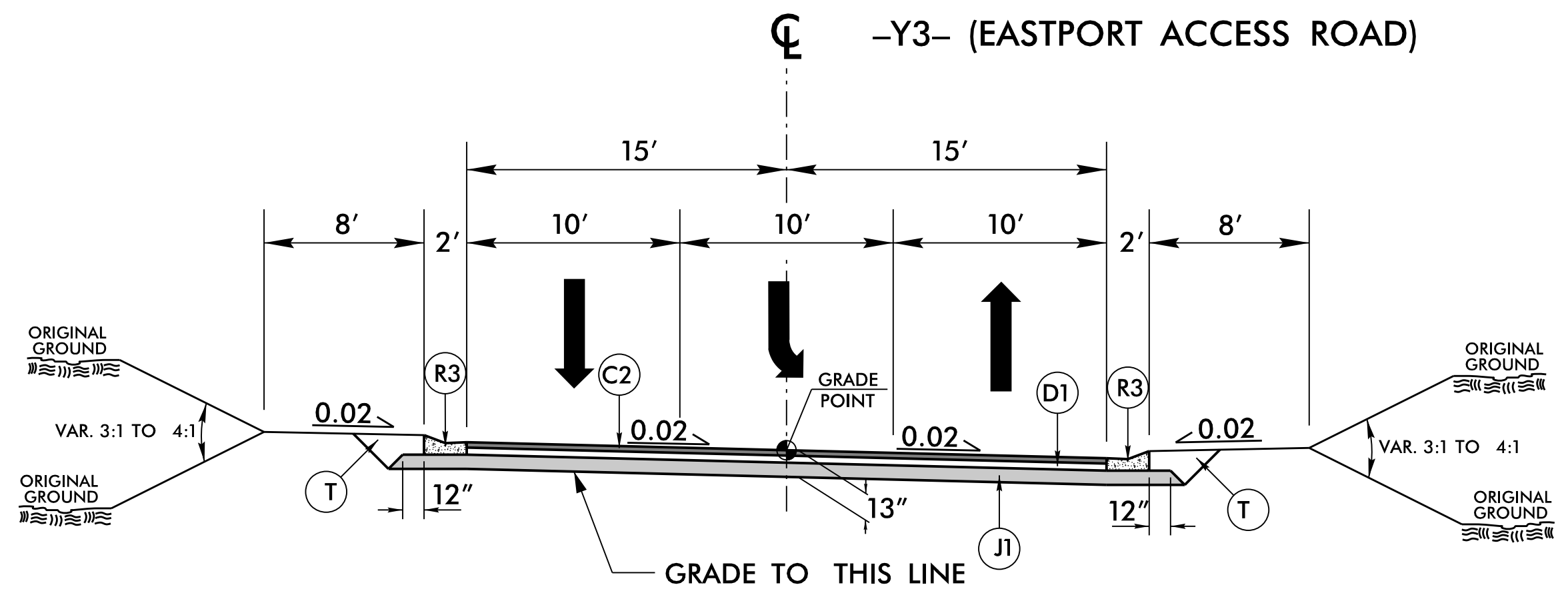


6/2/2021

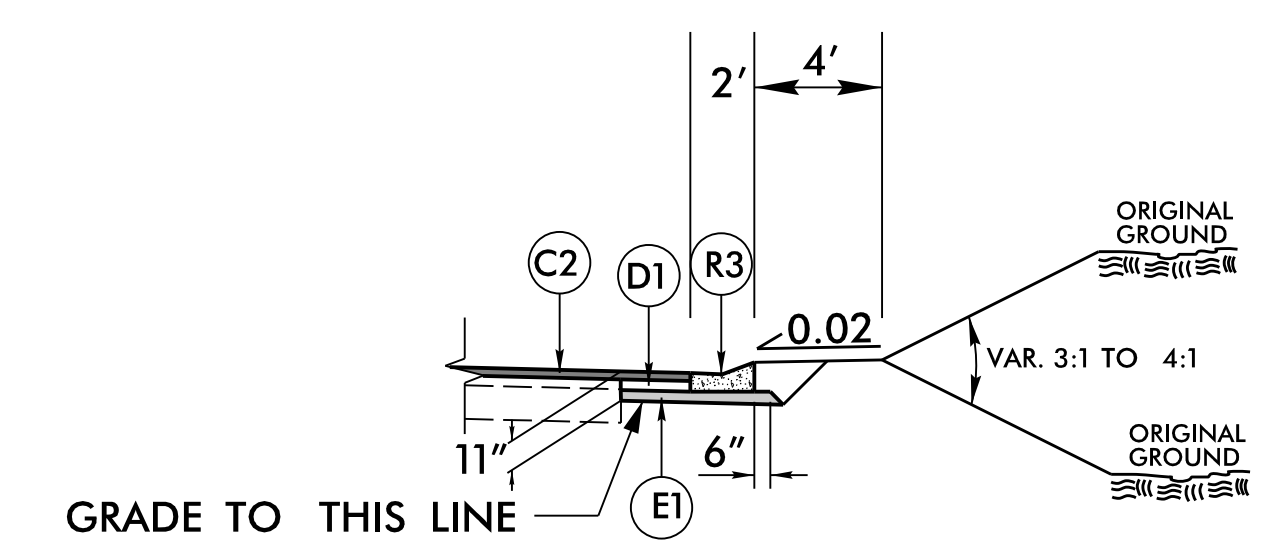
PROJECT REFERENCE NO. U-5710A	SHEET NO. 2A-3
ROADWAY DESIGN ENGINEER 	PAVEMENT DESIGN ENGINEER
DOCUMENT NOT CONSIDERED FINAL UNLESS ALL SIGNATURES COMPLETED	
HDR Engineering, Inc. of the Carolinas 555 Fayetteville St. Suite 900 Raleigh, N.C. 27601 N.C.B.E.L.S. License Number: F-0116	



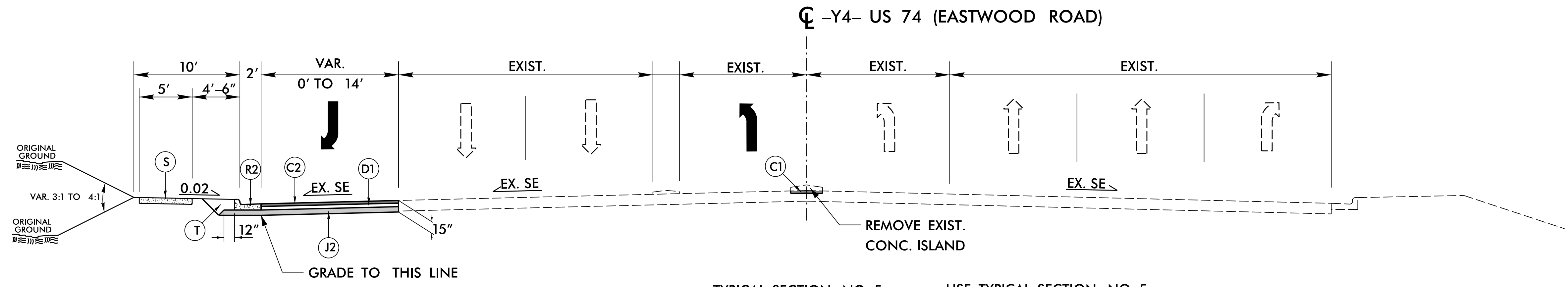
USE TYPICAL SECTION NO. 3
-Y2- STA. 10+58.06 TO -Y2- STA. 11+59.38



NOTE: TRANSITION 2'-6" C&G TO SPECIAL VALLEY GUTTER FROM -Y3- STA. 10+72.00 TO 10+82.00 LT&RT.
USE TYPICAL SECTION NO. 4
-Y3- STA. 10+40.51 TO -Y3- STA. 11+94.81



OPTIONAL 4" B25.0C TO BE USED IN LIEU OF ABC AT THE DISCRETION OF THE ENGINEER.



REMOVE EXIST. CONC. ISLAND
USE TYPICAL SECTION NO. 5
-Y4- STA. 29+50.83 TO -Y4- STA. 32+90.43

PAVEMENT SCHEDULE	
C1	1.5" S9.5B
C2	3" S9.5B
C3	VAR. S9.5B
D1	4" I19.0C
D2	VAR. I19.0C
E1	4" B25.0C
J1	6" ABC
J2	8" ABC
R1	1'-6" CURB & GUTTER
R2	2'-6" CURB & GUTTER
R3	SPECIAL VALLEY GUTTER
R4	5" MONO. CONC. ISLAND
S	4" CONC. SIDEWALK
T	EARTH MATERIAL
U	EXIST. PAVEMENT
V1	VAR. DEPTH MILLING
W	VAR. DEPTH ASPHALT

PLOT DRIVER: NCDOT_color_eng_50.plt
 USER: CHARRIS
 FILE: North_Carolina_Dept_of_Transportation\2014_16_Planning_Design_LSA\U-5710_TO_4_c\06_00_Project_Engineering_and_Design\U-5710A_Roadway\Proj\U5710A_RDY_TYP.dgn
 PENTABLE: NCDOT_pshpfl_conventional.tbi
 TIME: 10:26:40 AM
 DATE: 12/9/2021

REVISIONS