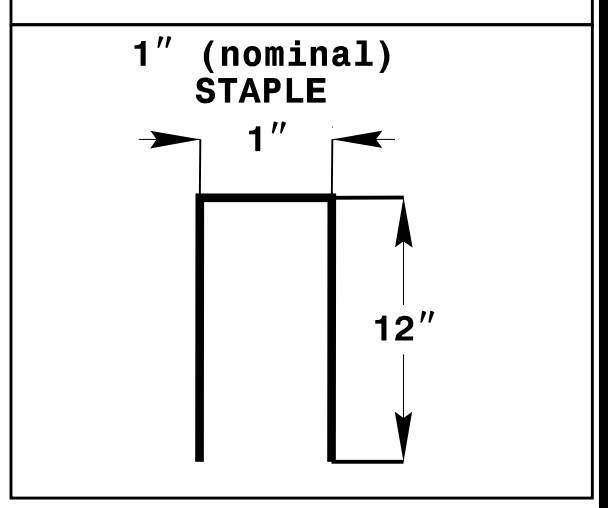
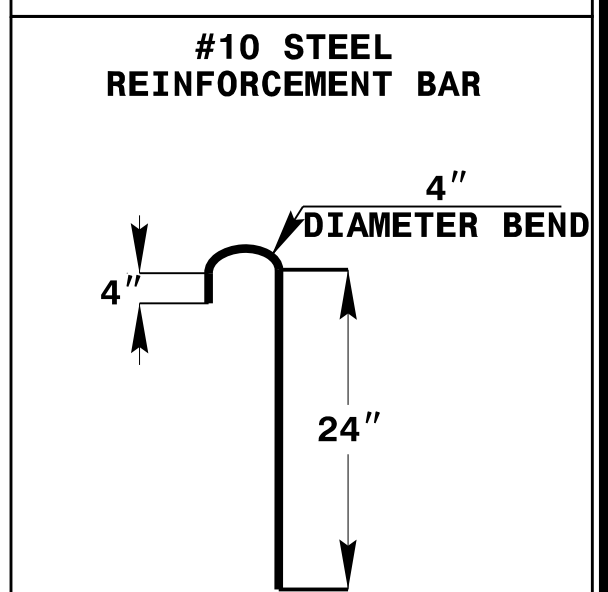
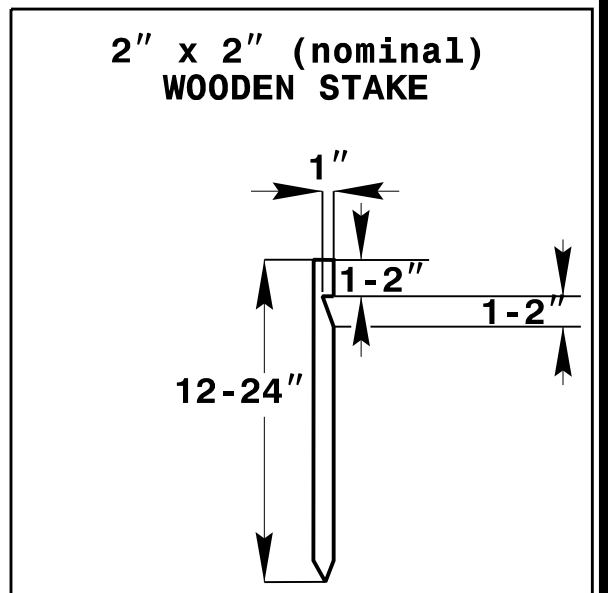
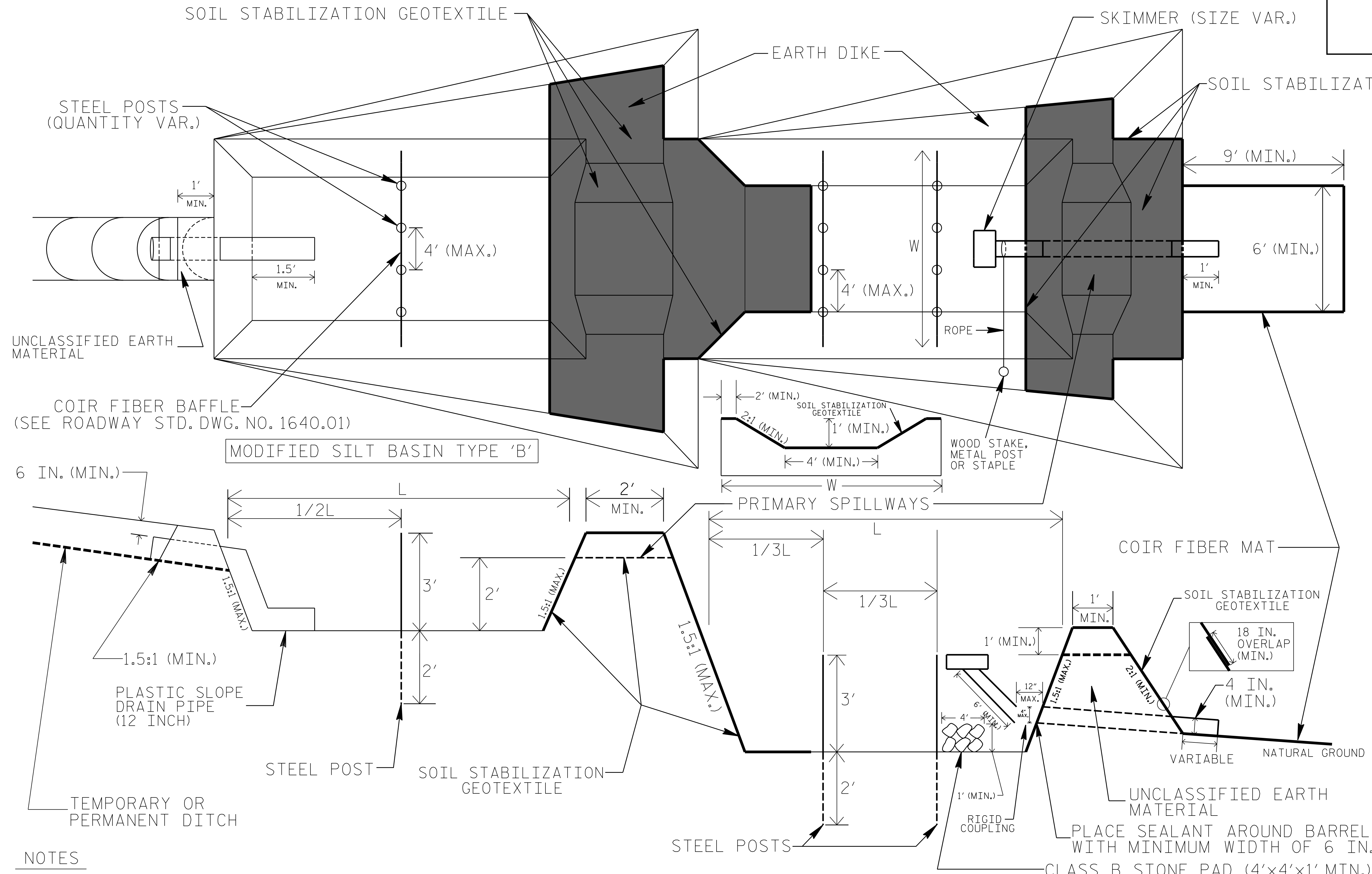


# TIERED SKIMMER BASIN DETAIL



HDR Engineering, Inc. of the Carolinas  
555 Fayetteville St, Suite 900 Raleigh, N.C. 27601  
N.C.B.E.L.S. License Number: F-0116

PROJECT REFERENCE NO. <i>R-5726A</i>	SHEET NO. <i>EC-2D</i>
RW SHEET NO.	
ROADWAY DESIGN ENGINEER	HYDRAULICS ENGINEER



**COIR FIBER MAT ANCHOR OPTIONS**

## NOTES

1. SEED AND PLACE MATTING FOR EROSION CONTROL ON INTERIOR AND EXTERIOR SIDESLOPES OF BASINS.
2. LIMIT HEIGHT OF EARTH DIKES TO 5 FT.
3. ADDITIONAL MODIFIED SILT BASINS TYPE 'B' MAY BE NEEDED DEPENDING ON SLOPE.
4. FOR BASIN DEPTHS OF 3 FT., THE MINIMUM BASIN WIDTHS SHALL BE 9 FT.
5. DETERMINE PRIMARY SPILLWAY WEIR LENGTHS (FT.) USING  $Q/0.8$ , WHERE Q IS FLOW RATE (CFS) INTO UPPER BASIN.
6. SOIL STABILIZATION GEOTEXTILE FOR PRIMARY SPILLWAYS SHALL BE ONE CONTINUOUS PIECE OF MATERIAL OR OVERLAPPED 18 IN. (MIN.).

NOT TO SCALE

PLOT DRIVER: NCDOT.pdf\_color\_eng\_50dpi  
 USER: WYELVERT  
 FILE: Mott-McDonald, I.E., LLC - Fuquoy, Vortino, MMIE, MST-2016.PD.G.  
 PENTABLE: NCDOT\_TSH.tbl  
 TIME: 3:33:17 PM  
 DATE: 2/7/2022  
 In: Progress: R-5726 Erosion Control R5726-EC-DETAILS.dgn