
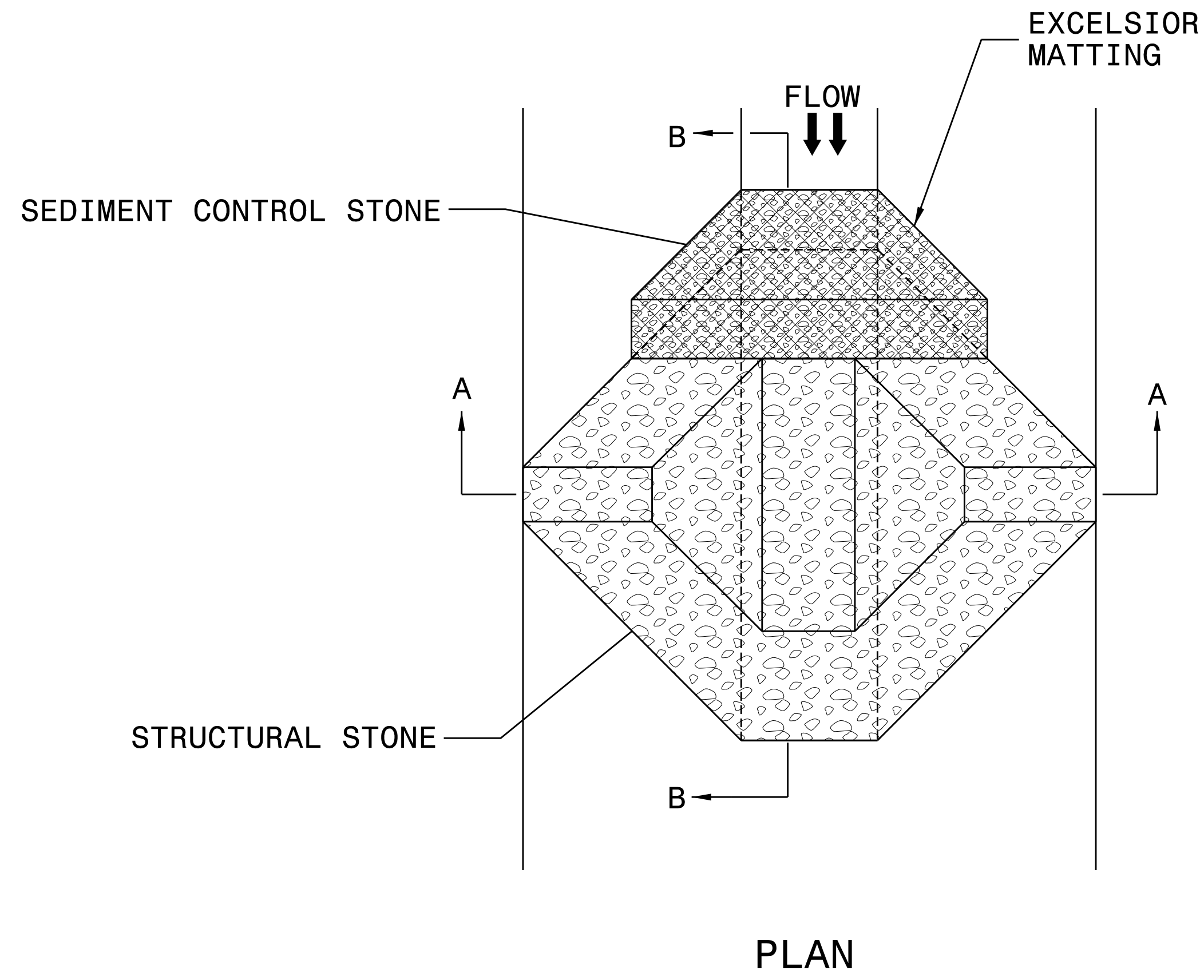


TEMPORARY ROCK SILT CHECK TYPE 'A' WITH EXCELSIOR MATTING AND POLYACRYLAMIDE (PAM)

PROJECT REFERENCE NO. R-5726A	SHEET NO. EC-2A
RW SHEET NO.	
ROADWAY DESIGN ENGINEER	HYDRAULICS ENGINEER
 HDR Engineering, Inc. of the Carolinas 555 Fayetteville St, Suite 900 Raleigh, N.C. 27601 N.C.B.E.L.S. License Number: F-0116	



PLAN

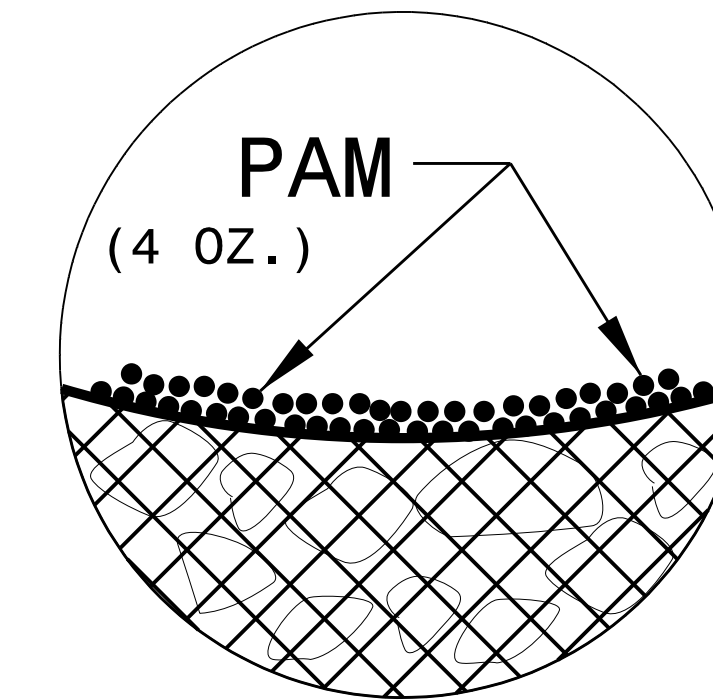
NOTES:

INSTALL TEMPORARY ROCK SILT CHECK TYPE A IN ACCORDANCE WITH ROADWAY STANDARD DRAWING NO. 1633.01.

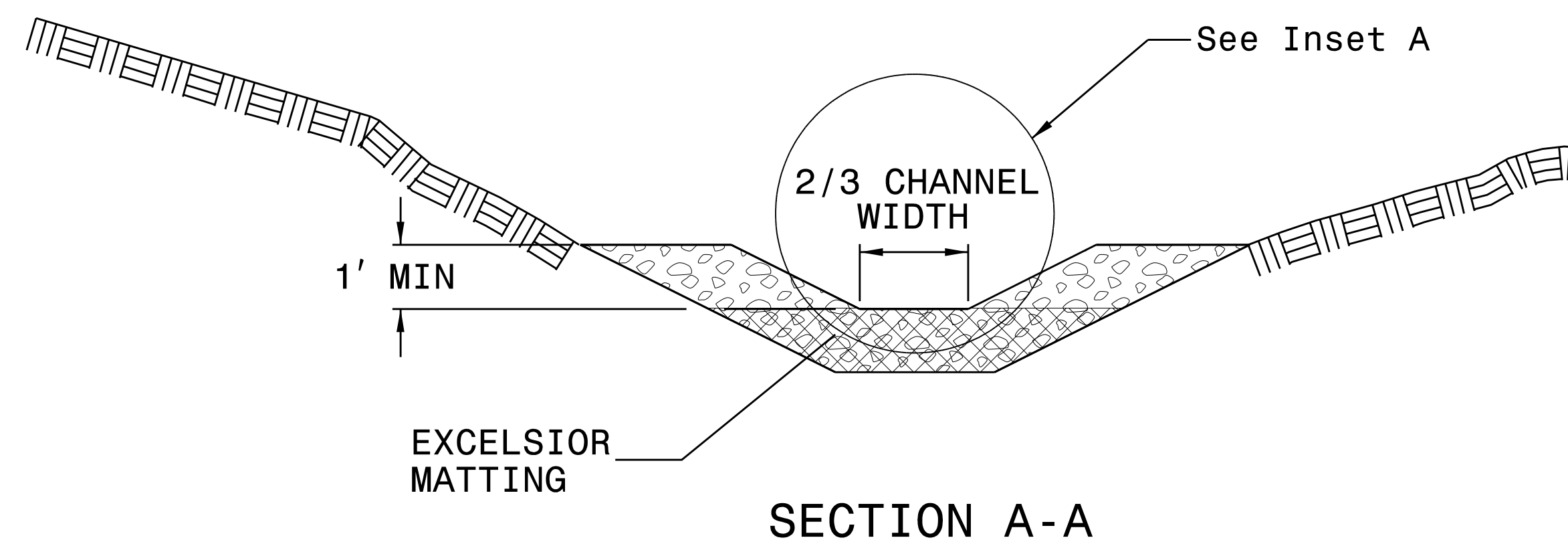
USE EXCELSIOR FOR MATTING MATERIAL AND ANCHOR MATTING SECTION AT TOP AND BOTTOM WITH CLASS B STONE.

PRIOR TO POLYACRYLAMIDE (PAM) APPLICATION, OBTAIN A SOIL SAMPLE FROM PROJECT LOCATION, AND FROM OFFSITE MATERIAL, AND ANALYZE FOR APPROPRIATE PAM FLOCCULANT TO BE APPLIED TO EACH ROCK SILT CHECK.

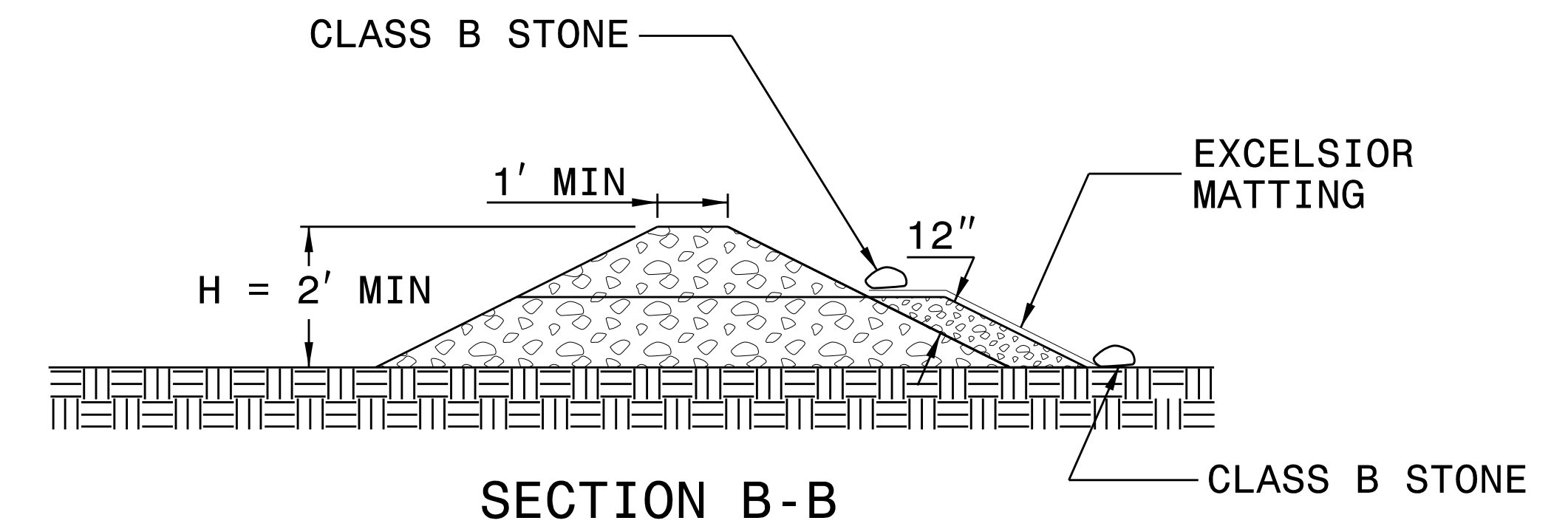
INITIALLY APPLY 4 OUNCES OF POLYACRYLAMIDE (PAM) TO TOP OF MATTING SECTION AND AFTER EVERY RAINFALL EVENT THAT EQUALS OR EXCEEDS 0.50 INCHES.



INSET A



SECTION A-A



SECTION B-B

NOT TO SCALE

PLOT DRIVER: NCDOT_pdf_color_eng_50dpi
 USER: WYELVERT
 FILE: Mott_McDonald_I.E.LLC_-_Fuquoy_Vorino_MMIE_MST_2016_PD_O_NCDOT537_NMI.E.1759_WOL_R5726_NC211WID.G0_CAD_BIM.6.2_Work_In_Progress_R-5726_Erosion_Control_R5726_EC_DETAILS.dgn
 PENTABLE: NCDOT_EC_C&G_BW.tbl
 TIME: 3:30:07 PM
 DATE: 2/7/2022