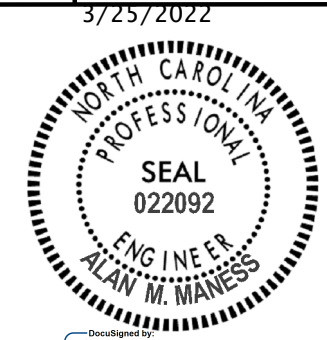
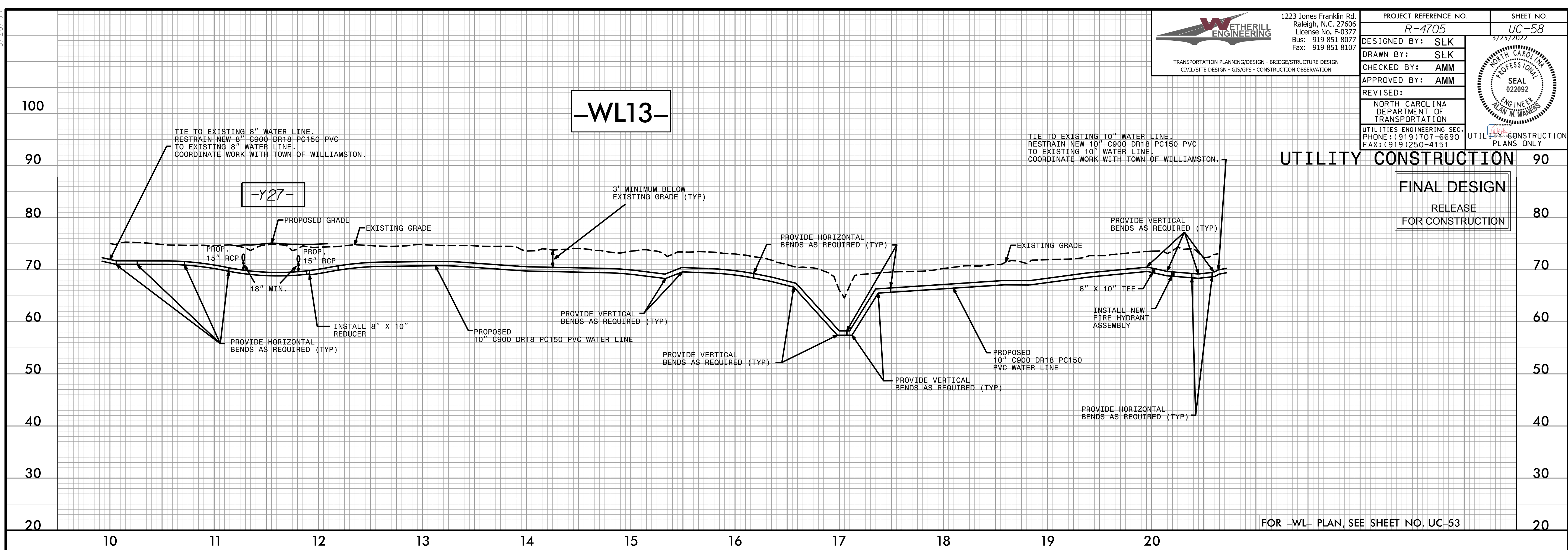


5/28/2022

WETHERILL ENGINEERING
 1223 Jones Franklin Rd.
 Raleigh, N.C. 27606
 License No. F-0377
 Bus: 919 851 8077
 Fax: 919 851 8107

TRANSPORTATION PLANNING/DESIGN - BRIDGE/STRUCTURE DESIGN
 CIVIL/SITE DESIGN - GIS/GPS - CONSTRUCTION OBSERVATION

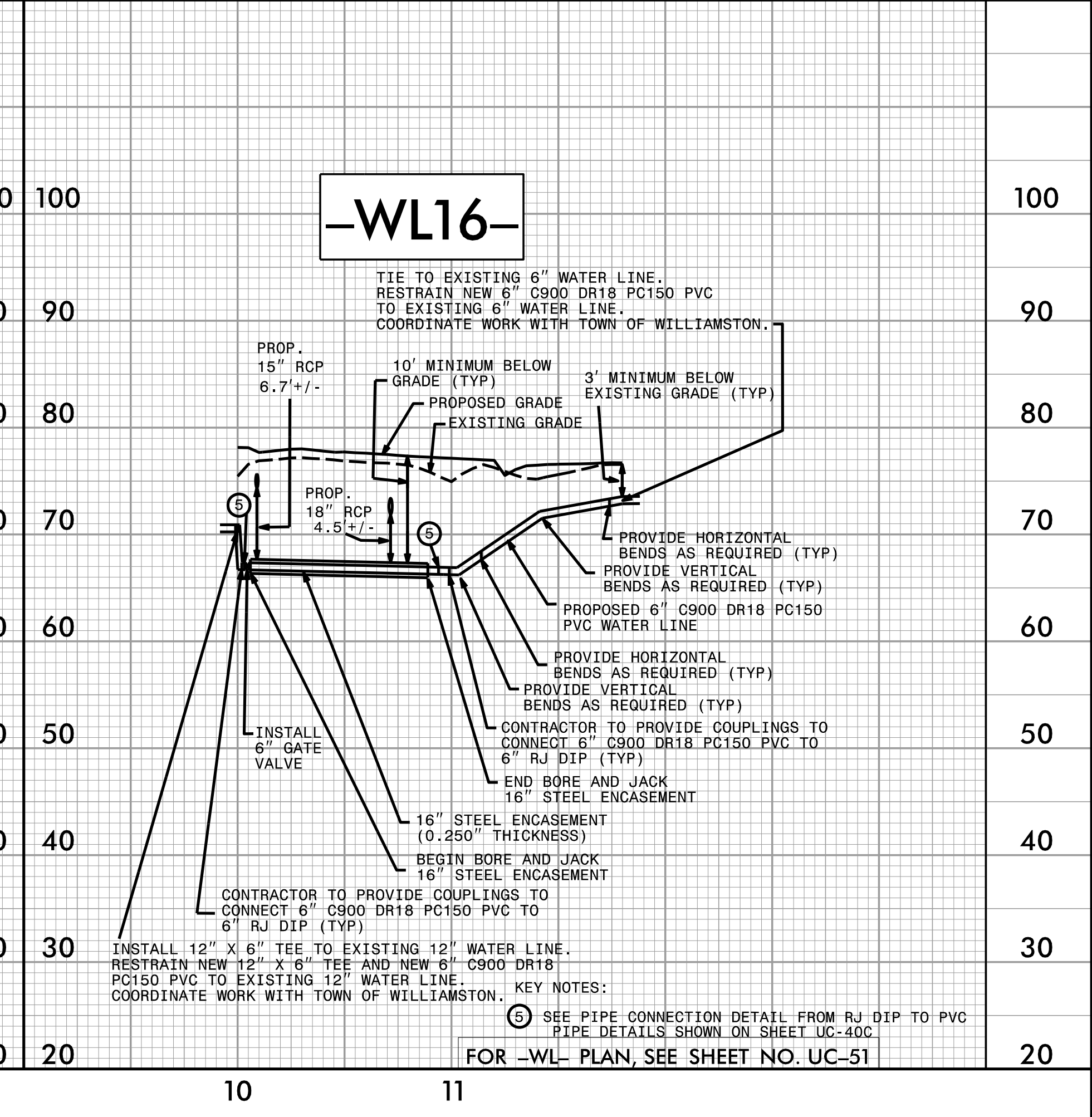
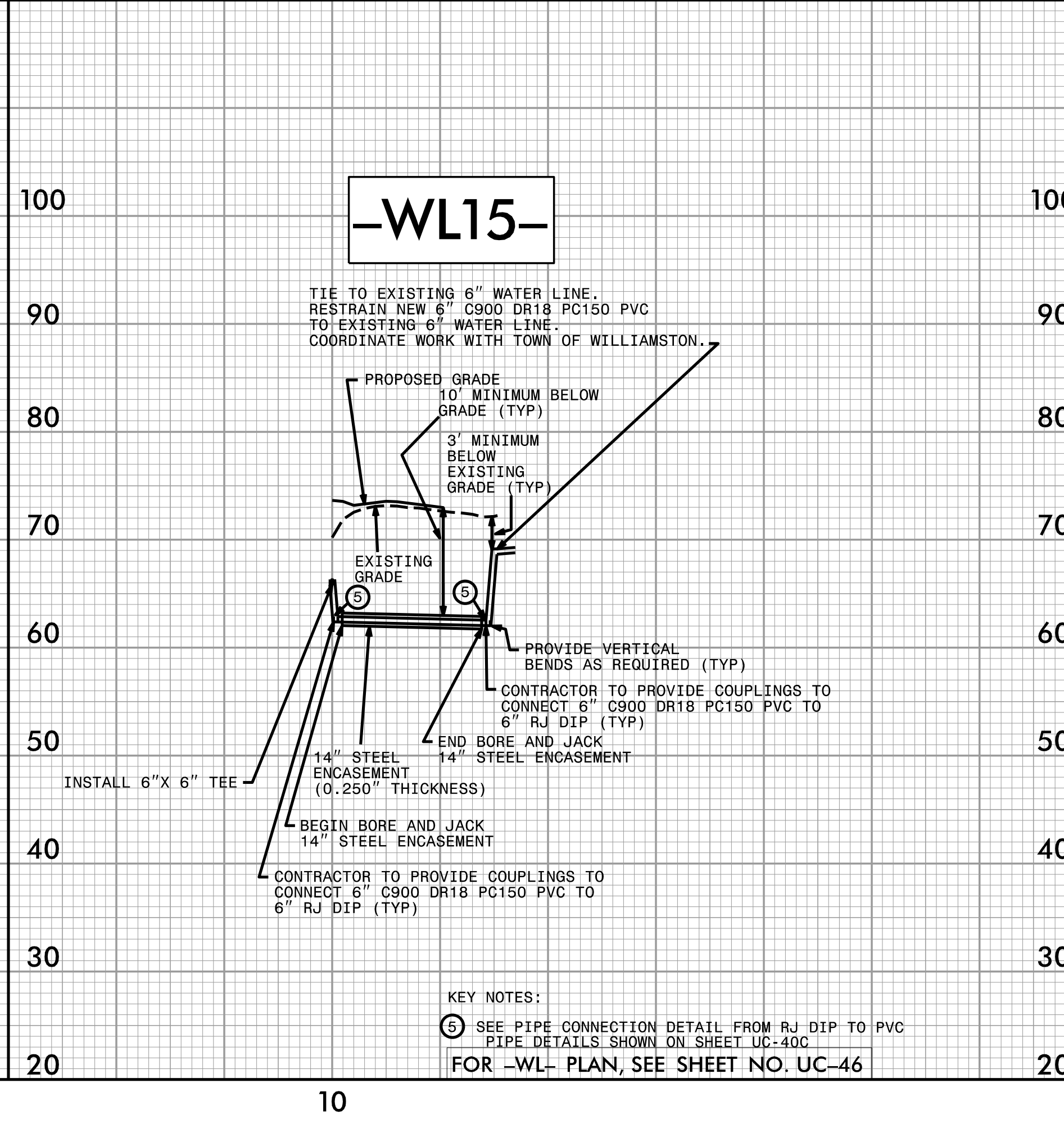
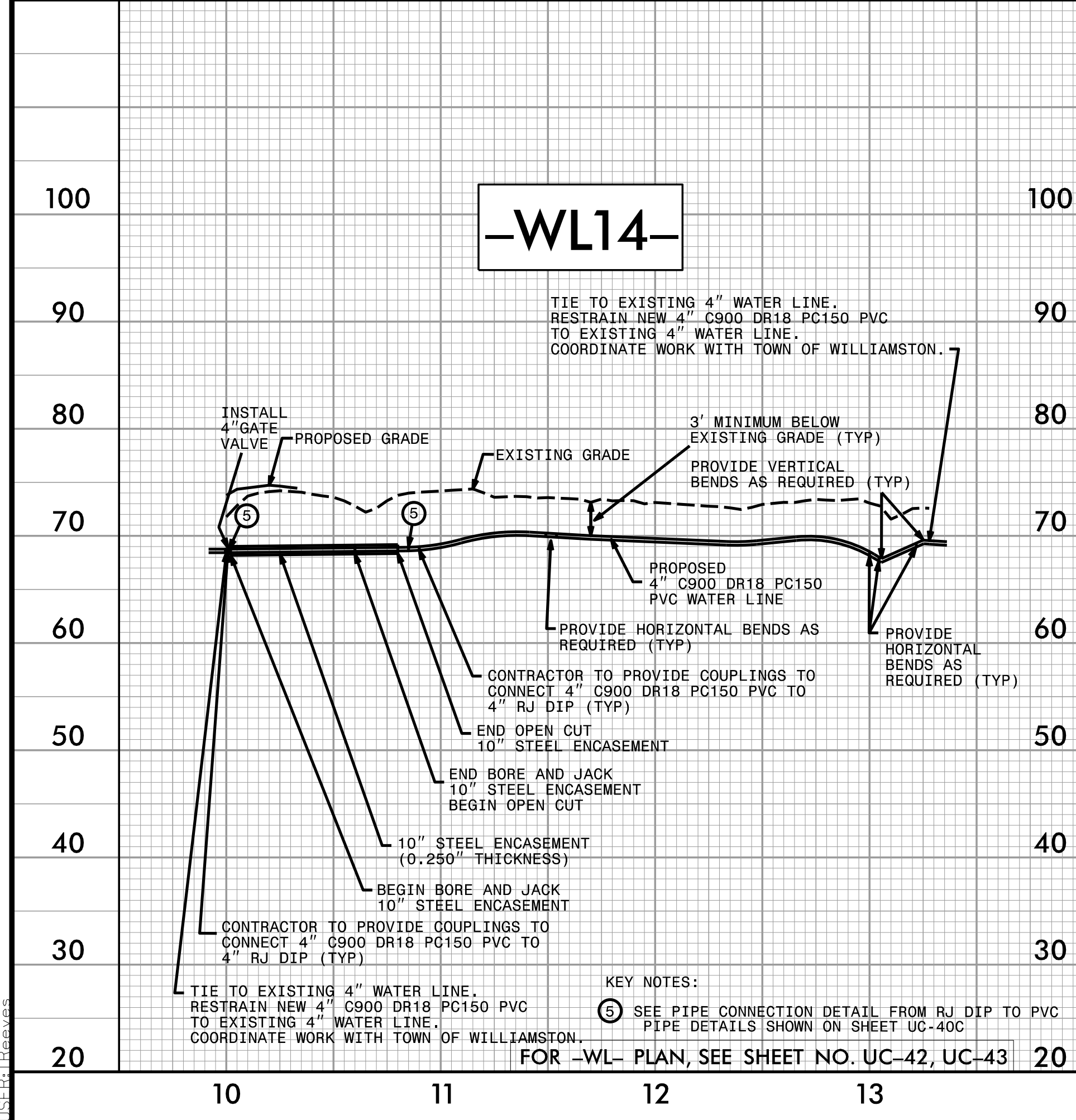
PROJECT REFERENCE NO. R-4705	SHEET NO. UC-58
DESIGNED BY: SLK	3/23/2022
DRAWN BY: SLK	
CHECKED BY: AMM	
APPROVED BY: AMM	
REVISED:	
NORTH CAROLINA DEPARTMENT OF TRANSPORTATION UTILITIES ENGINEERING SEC. PHONE: (919) 707-6690 FAX: (919) 250-4151	



UTILITY CONSTRUCTION

FINAL DESIGN

RELEASE FOR CONSTRUCTION



3/24/2022 UC58_14705_ut_UC58_14705_1.dgn