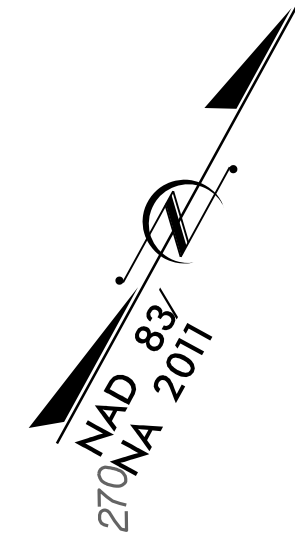


8/17/99



1223 Jones Franklin Rd.
Raleigh, N.C. 27606
License No. F-0377
Bus: 919 851 8077
Fax: 919 851 8107

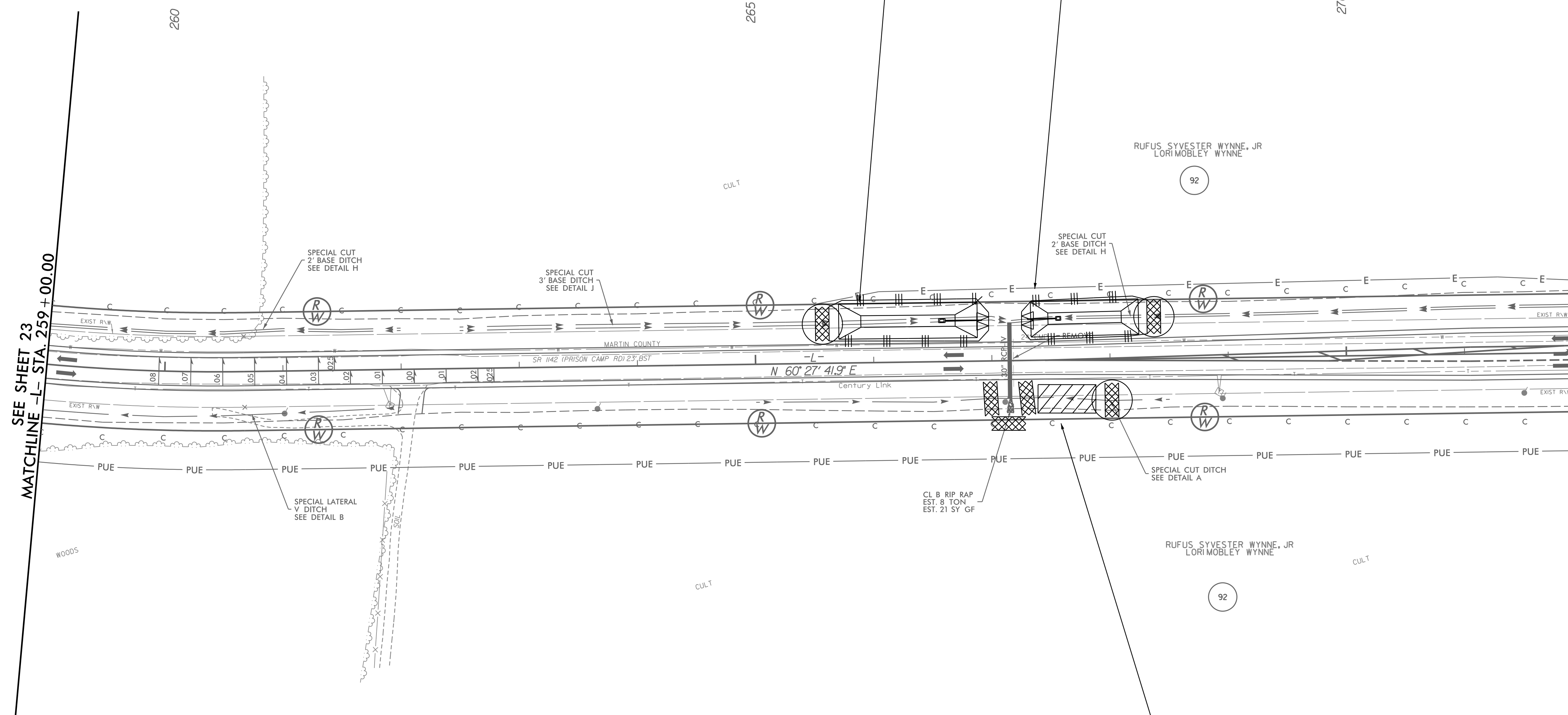
PROJECT REFERENCE NO. R-4705	SHEET NO. EC-64/CONST.24
RW SHEET NO.	
ROADWAY DESIGN ENGINEER	HYDRAULICS ENGINEER



REVISIONS

SEE SHEET 23
MATCHLINE -L- STA. 259 + 00.00

MATCHLINE -L- STA. 272 + 00.00
SEE SHEET 25



117 x 30 x 3
2 inch Skimmer
with 1.625 inch
Orifice Diameter
22 ft. weir
ID 24.1

91 x 30 x 3
1.5 inch Skimmer
with 1.5 inch
Orifice Diameter
22 ft. weir
ID 24.2

49 x 24 x 3
ID 24.3

SEE SHEET 53&54 FOR -L- PROFILE

3/17/2002 EC_fm01_psh_24.dgn
USER:MLW