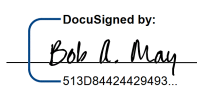

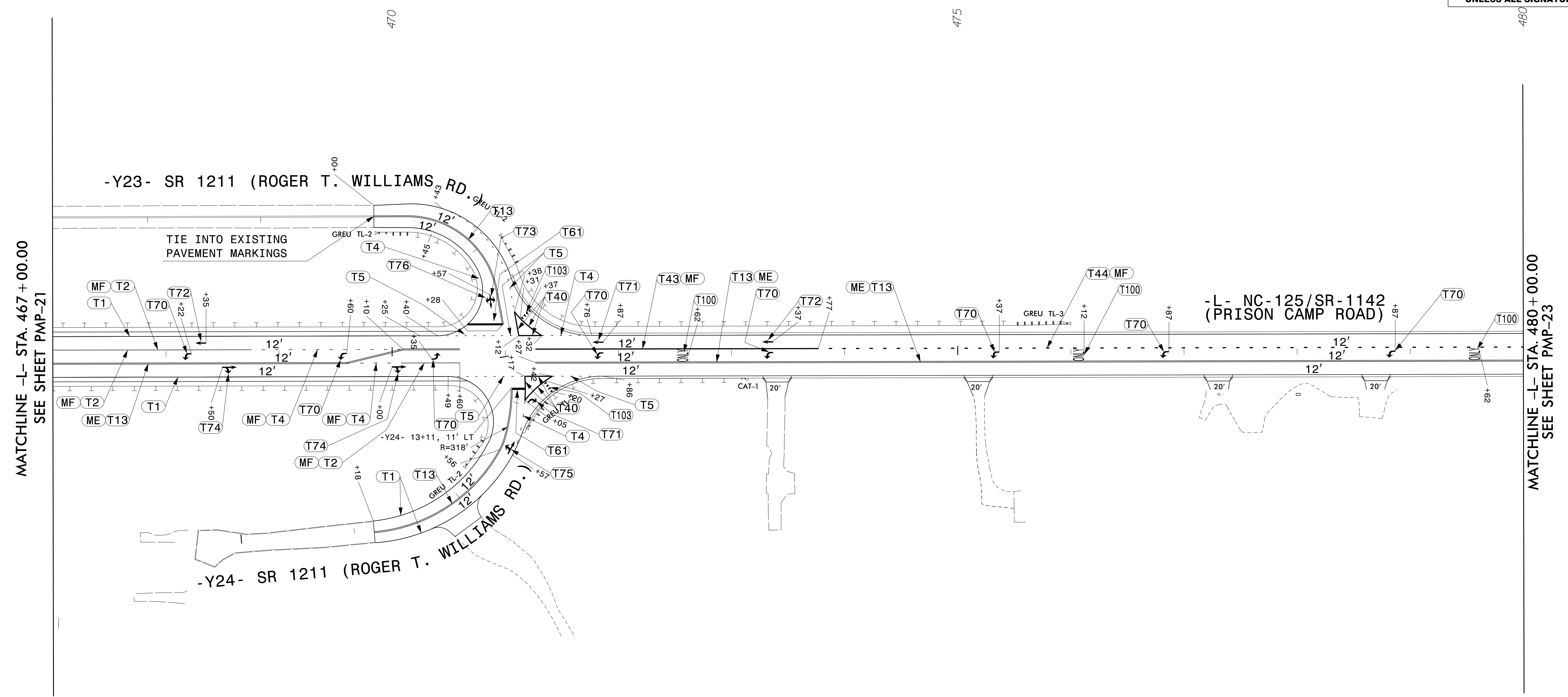
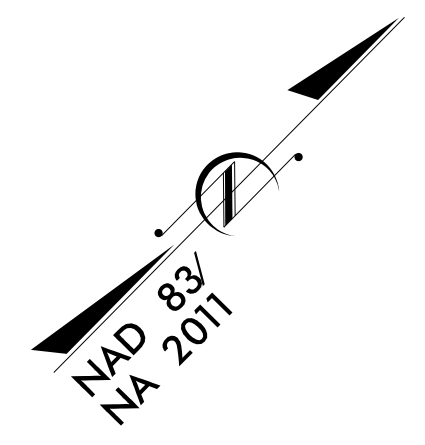



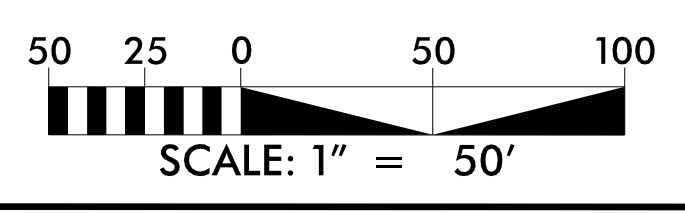
TIP NO. R - 4705	SHEET NO. PMP - 22
APPROVED:  DATE: 4/7/2022	
SEAL 	
DOCUMENT NOT CONSIDERED FINAL UNLESS ALL SIGNATURES COMPLETED	



3/11/2022  
P:\2022\175.01.R-4705-Find\Traffic\Signing and Delineation\Pavement Markings\Sheets\R-4705\_PMP\_22.dgn  
User: AH01es

 **ETHERILL ENGINEERING**  
 1223 Jones Franklin Rd.  
 Raleigh, N.C. 27606  
 License No. F-0377  
 Bus: 919 851 8077  
 Fax: 919 851 8107

TRANSPORTATION PLANNING/DESIGN - BRIDGE/STRUCTURE DESIGN  
 CIVIL/SITE DESIGN - GIS/GPS - CONSTRUCTION OBSERVATION



**PAVEMENT MARKING PLAN SHEET**